



- (51) International Patent Classification:
E21B 19/00 (2006.01)
- (21) International Application Number:
PCT/EP2014/050153
- (22) International Filing Date:
7 January 2014 (07.01.2014)
- (25) Filing Language: English
- (26) Publication Language: English
- (30) Priority Data:
20130039 8 January 2013 (08.01.2013) NO
- (71) Applicant: FMC KONGSBERG SUBSEA AS [NO/NO];
P.O.Box 1012, N-3601 Kongsberg (NO).
- (72) Inventors: TØMMERMO, Bernt-Olav; Kringleveien 5,
N-3684 Notodden (NO). CARLSEN, Tor-Øystein; Zien-
ersvingen 10, N-3610 Kongsberg (NO).
- (74) Agent: ONSAGERS AS; P.O.Box 1813 Vika, N-0123
Oslo (NO).
- (81) Designated States (unless otherwise indicated, for every
kind of national protection available): AE, AG, AL, AM,
AO, AT, AU, AZ, BA, BB, BG, BH, BN, BR, BW, BY,
BZ, CA, CH, CL, CN, CO, CR, CU, CZ, DE, DK, DM,
DO, DZ, EC, EE, EG, ES, FI, GB, GD, GE, GH, GM, GT,

HN, HR, HU, ID, IL, IN, IR, IS, JP, KE, KG, KN, KP, KR,
KZ, LA, LC, LK, LR, LS, LT, LU, LY, MA, MD, ME,
MG, MK, MN, MW, MX, MY, MZ, NA, NG, NI, NO, NZ,
OM, PA, PE, PG, PH, PL, PT, QA, RO, RS, RU, RW, SA,
SC, SD, SE, SG, SK, SL, SM, ST, SV, SY, TH, TJ, TM,
TN, TR, TT, TZ, UA, UG, US, UZ, VC, VN, ZA, ZM,
ZW.

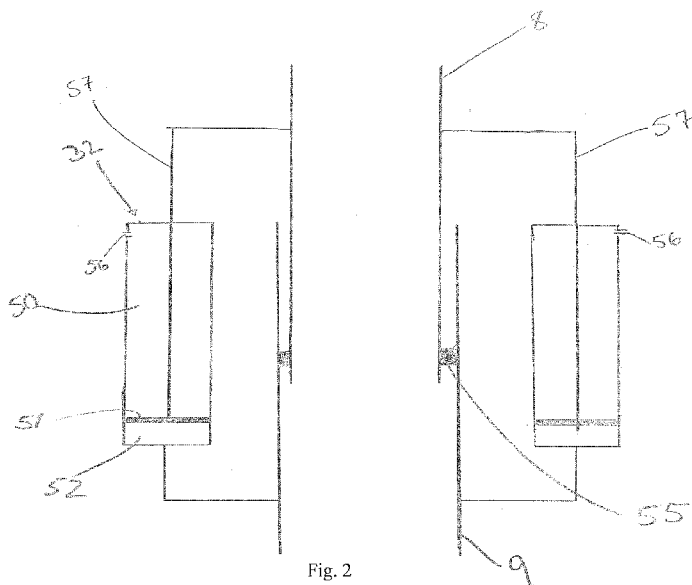
(84) Designated States (unless otherwise indicated, for every
kind of regional protection available): ARIPO (BW, GH,
GM, KE, LR, LS, MW, MZ, NA, RW, SD, SL, SZ, TZ,
UG, ZM, ZW), Eurasian (AM, AZ, BY, KG, KZ, RU, TJ,
TM), European (AL, AT, BE, BG, CH, CY, CZ, DE, DK,
EE, ES, FI, FR, GB, GR, HR, HU, IE, IS, IT, LT, LU, LV,
MC, MK, MT, NL, NO, PL, PT, RO, RS, SE, SI, SK, SM,
TR), OAPI (BF, BJ, CF, CG, CI, CM, GA, GN, GQ, GW,
KM, ML, MR, NE, SN, TD, TG).

Published:

- with international search report (Art. 21(3))
- before the expiration of the time limit for amending the
claims and to be republished in the event of receipt of
amendments (Rule 48.2(h))

(88) Date of publication of the international search report:
24 December 2014

(54) Title: TELESCOPIC RISER JOINT



(57) Abstract: The invention relates to a telescopic riser joint for connecting a first riser part and a second riser part, the riser joint comprising: a first pipe part (8) and a second pipe part (9) comprising means for connection to the first riser part and the second riser part respectively, which first and second pipe parts in use are arranged to form part of a riser with an internal flow passage, a cylinder arrangement comprising a first set of cylinders (32), each cylinder having a piston rod with a piston head (51) and a cylinder housing, the piston rod and cylinder housing being respectively connectable to one of the first pipe part or second pipe part, wherein one side of the piston head in use is in communication with external pressure providing an axial force acting in the longitudinal direction of the riser, and the other side of the piston head is facing a sealed chamber (52), where the cylinder arrangement is configured such that a fluid in the sealed chamber and a fluid on the other side of the piston head give a resultant force tensioning the first riser part and the second riser part.

WO 2014/108403 A3

INTERNATIONAL SEARCH REPORT

International application No
PCT/EP2014/050153

A. CLASSIFICATION OF SUBJECT MATTER
INV. E21B19/00
ADD.
According to International Patent Classification (IPC) or to both national classification and IPC

B. FIELDS SEARCHED
Minimum documentation searched (classification system followed by classification symbols)
E21B
Documentation searched other than minimum documentation to the extent that such documents are included in the fields searched

Electronic data base consulted during the international search (name of data base and, where practicable, search terms used)
EPO-Internal, WPI Data

C. DOCUMENTS CONSIDERED TO BE RELEVANT		
Category*	Citation of document, with indication, where appropriate, of the relevant passages	Relevant to claim No.
X	WO 02/088512 A1 (NAT OILWELL NORWAY AS [NO]; GJEDEBO JON GRUDE [NO]) 7 November 2002 (2002-11-07) the whole document	1,6
X	US 4 615 542 A (IDENO EIICHIRO [JP] ET AL) 7 October 1986 (1986-10-07) figure 6	1,2,4-7
X	WO 2009/154474 A1 (NOROCEAN AS [NO]; HAUGLAND TROND [NO]) 23 December 2009 (2009-12-23) claims 1-3; figures 1-3	1,3,4,6,7

Further documents are listed in the continuation of Box C.

See patent family annex.

* Special categories of cited documents :

- "A" document defining the general state of the art which is not considered to be of particular relevance
- "E" earlier application or patent but published on or after the international filing date
- "L" document which may throw doubts on priority claim(s) or which is cited to establish the publication date of another citation or other special reason (as specified)
- "O" document referring to an oral disclosure, use, exhibition or other means
- "P" document published prior to the international filing date but later than the priority date claimed

"T" later document published after the international filing date or priority date and not in conflict with the application but cited to understand the principle or theory underlying the invention

"X" document of particular relevance; the claimed invention cannot be considered novel or cannot be considered to involve an inventive step when the document is taken alone

"Y" document of particular relevance; the claimed invention cannot be considered to involve an inventive step when the document is combined with one or more other such documents, such combination being obvious to a person skilled in the art

"&" document member of the same patent family

Date of the actual completion of the international search 23 October 2014	Date of mailing of the international search report 05/11/2014
Name and mailing address of the ISA/ European Patent Office, P.B. 5818 Patentlaan 2 NL - 2280 HV Rijswijk Tel. (+31-70) 340-2040, Fax: (+31-70) 340-3016	Authorized officer Maukonen, Kalle

INTERNATIONAL SEARCH REPORT

Information on patent family members

International application No PCT/EP2014/050153

Patent document cited in search report	Publication date	Patent family member(s)	Publication date	
WO 02088512	A1	07-11-2002	BR 0209190 A	03-08-2004
			CA 2445302 A1	07-11-2002
			CN 1505727 A	16-06-2004
			EP 1381751 A1	21-01-2004
			NO 20012078 A	28-10-2002
			US 2004146363 A1	29-07-2004
			WO 02088512 A1	07-11-2002

US 4615542	A	07-10-1986	FR 2543611 A1	05-10-1984
			JP H0157230 B2	05-12-1989
			JP S59177494 A	08-10-1984
			US 4615542 A	07-10-1986

WO 2009154474	A1	23-12-2009	AU 2009260957 A1	23-12-2009
			NO 330288 B1	21-03-2011
			US 2011155388 A1	30-06-2011
			WO 2009154474 A1	23-12-2009
