

(19) World Intellectual Property Organization  
International Bureau



(43) International Publication Date  
16 November 2006 (16.11.2006)

PCT

(10) International Publication Number  
**WO 2006/121486 A3**

- (51) International Patent Classification:  
*H05K 1/14* (2006.01)
- (21) International Application Number:  
PCT/US2006/006921
- (22) International Filing Date:  
28 February 2006 (28.02.2006)
- (25) Filing Language: English
- (26) Publication Language: English
- (30) Priority Data:  
11/123,721 6 May 2005 (06.05.2005) US  
11/231,418 21 September 2005 (21.09.2005) US
- (71) Applicant (for all designated States except US): **STAK-TEK GROUP L.P.** [US/US]; Suite 125, 8900 Shoal Creek Blvd., Austin, TX 78757 (US).
- (72) Inventors; and
- (75) Inventors/Applicants (for US only): **WEHRLY, JR., James Douglas** [US/US]; 9112 Glenlake Dr., Austin, Texas 78730 (US). **WILDER, James** [US/US]; 3301

Onion Hollow Cove, Austin, Texas 78739 (US). **GOOD-WIN, Paul** [US/US]; 8 Glen Rock Dr., Austin, Texas 78738 (US). **WOLFE, Mark** [US/US]; 2720 Cedar Springs Place, Austin, Texas 78681 (US).

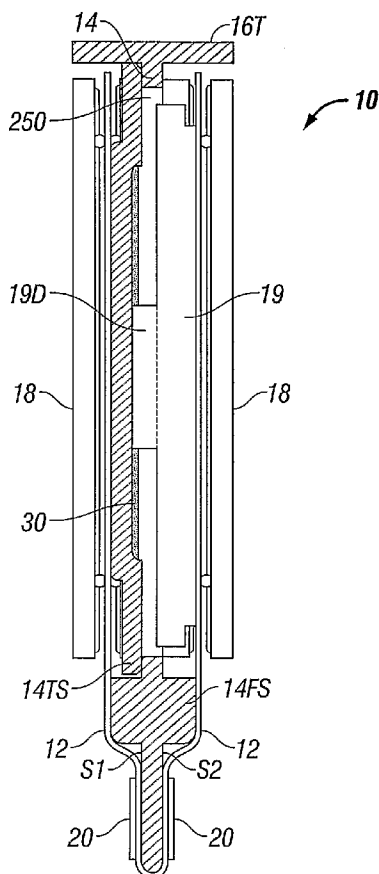
(74) Agent: **DENKO, J. Scott**; Fish & Richardson P.C., P.O. Box 1022, Minneapolis, MN 55440-1022 (US).

(81) Designated States (unless otherwise indicated, for every kind of national protection available): AE, AG, AL, AM, AT, AU, AZ, BA, BB, BG, BR, BW, BY, BZ, CA, CH, CN, CO, CR, CU, CZ, DE, DK, DM, DZ, EC, EE, EG, ES, FI, GB, GD, GE, GH, GM, HR, HU, ID, IL, IN, IS, JP, KE, KG, KM, KN, KP, KR, KZ, LC, LK, LR, LS, LT, LU, LV, LY, MA, MD, MG, MK, MN, MW, MX, MZ, NA, NG, NI, NO, NZ, OM, PG, PH, PL, PT, RO, RU, SC, SD, SE, SG, SK, SL, SM, SY, TJ, TM, TN, TR, TT, TZ, UA, UG, US, UZ, VC, VN, YU, ZA, ZM, ZW.

(84) Designated States (unless otherwise indicated, for every kind of regional protection available): ARIPO (BW, GH, GM, KE, LS, MW, MZ, NA, SD, SL, SZ, TZ, UG, ZM, ZW), Eurasian (AM, AZ, BY, KG, KZ, MD, RU, TJ, TM),

[Continued on next page]

(54) Title: HIGH CAPACITY THIN MODULE SYSTEM AND METHOD



(57) Abstract: Flexible circuitry is populated with integrated circuitry disposed along one or both of its major sides. Contacts distributed along the flexible circuitry provide connection between the module and an application environment. The circuit-populated flexible circuitry is disposed about an edge of a rigid substrate preferably devised from thermally conductive materials and includes a high thermal conductivity core or area that is disposed proximal to higher thermal energy devices such as an AMB when the flex circuit is brought about the substrate. Other variations include thermally-conductive clips that grasp respective ICs on opposite sides of the module to further shunt heat from the ICs. Preferred extensions from the substrate body or substrate core encourage reduced thermal variations amongst the integrated circuits of the module.

WO 2006/121486 A3



European (AT, BE, BG, CH, CY, CZ, DE, DK, EE, ES, FI, FR, GB, GR, HU, IE, IS, IT, LT, LU, LV, MC, NL, PL, PT, RO, SE, SI, SK, TR), OAPI (BF, BJ, CF, CG, CI, CM, GA, GN, GQ, GW, ML, MR, NE, SN, TD, TG).

**Published:**

- *with international search report*
- *before the expiration of the time limit for amending the claims and to be republished in the event of receipt of amendments*

**(88) Date of publication of the international search report:**  
26 July 2007

*For two-letter codes and other abbreviations, refer to the "Guidance Notes on Codes and Abbreviations" appearing at the beginning of each regular issue of the PCT Gazette.*

# INTERNATIONAL SEARCH REPORT

International application No.  PCT/US06/06921
---

**A. CLASSIFICATION OF SUBJECT MATTER**  
 IPC: **H05K 1/14(2006.01)**

USPC: 361/749,784,785,803;174/254;439/77  
 According to International Patent Classification (IPC) or to both national classification and IPC

**B. FIELDS SEARCHED**

Minimum documentation searched (classification system followed by classification symbols)  
 U.S. : 361/749,784, 785, 803; 174/254; 439/77

Documentation searched other than minimum documentation to the extent that such documents are included in the fields searched

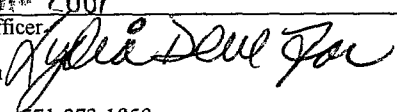
Electronic data base consulted during the international search (name of data base and, where practicable, search terms used)

**C. DOCUMENTS CONSIDERED TO BE RELEVANT**

Category *	Citation of document, with indication, where appropriate, of the relevant passages	Relevant to claim No.
Y	US 5,751,553 A (CLAYTON) 12 May 1998 (12.05.1998), see entire document.	1-36
Y	US 6,576,992 B1 (CADY et al.) 10 June 2003 (10.06.2003), see entire document.	1-36

Further documents are listed in the continuation of Box C.       See patent family annex.

* Special categories of cited documents:	"
"A" document defining the general state of the art which is not considered to be of particular relevance	"T" later document published after the international filing date or priority date and not in conflict with the application but cited to understand the principle or theory underlying the invention
"E" earlier application or patent published on or after the international filing date	"X" document of particular relevance; the claimed invention cannot be considered novel or cannot be considered to involve an inventive step when the document is taken alone
"L" document which may throw doubts on priority claim(s) or which is cited to establish the publication date of another citation or other special reason (as specified)	"Y" document of particular relevance; the claimed invention cannot be considered to involve an inventive step when the document is combined with one or more other such documents, such combination being obvious to a person skilled in the art
"O" document referring to an oral disclosure, use, exhibition or other means	"&" document member of the same patent family
"P" document published prior to the international filing date but later than the priority date claimed	

Date of the actual completion of the international search 13 May 2007 (13.05.2007)	Date of mailing of the international search report <b>01 JUN 2007</b>
Name and mailing address of the ISA/US Mail Stop PCT, Attn: ISA/US Commissioner for Patents P.O. Box 1450 Alexandria, Virginia 22313-1450 Facsimile No. (571) 273-3201	Authorized officer Tuan T. Dinh  Telephone No. 571-272-1850