



- (51) **International Patent Classification:**
A61B 19/00 (2006.01) A61B 17/32 (2006.01)
- (21) **International Application Number:**
PCT/US20 12/038005
- (22) **International Filing Date:**
15 May 2012 (15.05.2012)
- (25) **Filing Language:** English
- (26) **Publication Language:** English
- (30) **Priority Data:**
61/486,623 16 May 2011 (16.05.2011) US
- (71) **Applicant: MCNALLY, David, J.** [US/US]; 5663 Twin Creek Road, Salt Lake City, UT 84108 (US).
- (72) **Inventors; and**
- (71) **Applicants : MANWARING, Kim** [US/US]; 1915 E. Muirwood Dr., Phoenix, AZ 85048 (US). **STRINGHAM, Mark** [US/US]; 6102 South Dewdrops Dr., Kern, UT 84118 (US). **SHAFER, Mark** [US/US]; 1743 W 3500 S, West Valley City, UT 84119 (US).

- (74) **Agent: BATEMAN, Randall;** Bateman IP, P.O. Box 13 19, Salt Lake City, UT 841 10 (US).
- (81) **Designated States** (*unless otherwise indicated, for every kind of national protection available*): AE, AG, AL, AM, AO, AT, AU, AZ, BA, BB, BG, BH, BR, BW, BY, BZ, CA, CH, CL, CN, CO, CR, CU, CZ, DE, DK, DM, DO, DZ, EC, EE, EG, ES, FI, GB, GD, GE, GH, GM, GT, HN, HR, HU, ID, IL, IN, IS, JP, KE, KG, KM, KN, KP, KR, KZ, LA, LC, LK, LR, LS, LT, LU, LY, MA, MD, ME, MG, MK, MN, MW, MX, MY, MZ, NA, NG, NI, NO, NZ, OM, PE, PG, PH, PL, PT, QA, RO, RS, RU, RW, SC, SD, SE, SG, SK, SL, SM, ST, SV, SY, TH, TJ, TM, TN, TR, TT, TZ, UA, UG, US, UZ, VC, VN, ZA, ZM, ZW.
- (84) **Designated States** (*unless otherwise indicated, for every kind of regional protection available*): ARIPO (BW, GH, GM, KE, LR, LS, MW, MZ, NA, RW, SD, SL, SZ, TZ, UG, ZM, ZW), Eurasian (AM, AZ, BY, KG, KZ, RU, TJ, TM), European (AL, AT, BE, BG, CH, CY, CZ, DE, DK, EE, ES, FI, FR, GB, GR, HR, HU, IE, IS, IT, LT, LU, LV, MC, MK, MT, NL, NO, PL, PT, RO, RS, SE, SI, SK, SM, TR), OAPI (BF, BJ, CF, CG, CI, CM, GA, GN, GQ, GW, ML, MR, NE, SN, TD, TG).

[Continued on nextpage]

(54) **Title:** SURGICAL INSTRUMENT GUIDE

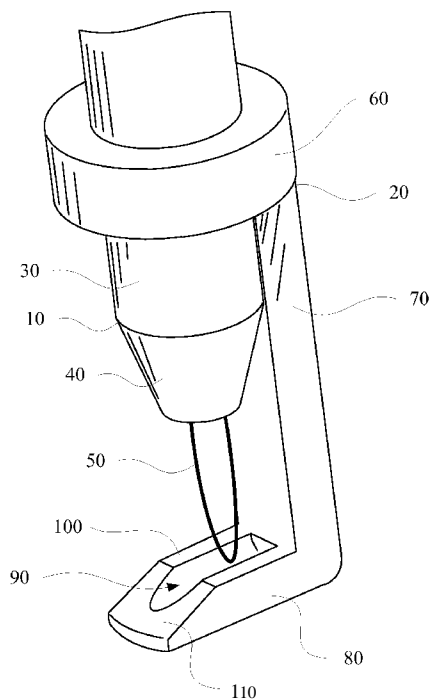
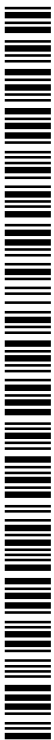


FIG. 1

(57) **Abstract:** A surgical instrument guide for facilitating treatment of a target tissue is provided. The surgical instrument guide may be placed between two groups of tissue such that a first group of tissue is cut and a second group of tissue is protected from being cut. The surgical instrument guide may lift tissue and slide tissue along a surface so that a target tissue may be cut to a desired depth more easily during a surgical procedure. The surgical instrument guide may be releasably attachable to a surgical instrument or integrally formed therewith.



Published:

(88) Date of publication of the international search report:

— with international search report (Art. 21(3))

21 March 2013

INTERNATIONAL SEARCH REPORT

International application No.
PCT/US2012/038005**A. CLASSIFICATION OF SUBJECT MATTER****A61B 19/00(2006.01)i, A61B 17/32(2006.01)l**

According to International Patent Classification (IPC) or to both national classification and IPC

B. FIELDS SEARCHED

Minimum documentation searched (classification system followed by classification symbols)

A61B 19/00; B23K 26/02; A61B 17/36; A61B 17/32; A61B 17/04

Documentation searched other than minimum documentation to the extent that such documents are included in the fields searched

Korean utility models and applications for utility models

Japanese utility models and applications for utility models

Electronic data base consulted during the international search (name of data base and, where practicable, search terms used)

eKOMPASS(KIPO internal) & Keywords: tissue, cut, protect, shield, guide, wedge, incline, and surgical instrument

C. DOCUMENTS CONSIDERED TO BE RELEVANT

Category*	Citation of document, with indication, where appropriate, of the relevant passages	Relevant to claim No.
X	EP 0033958 A1 (SUMITOMO ELECTRIC INDUSTRIES LIMITED) 19 August 1981 See abstract; figs. 1-4; page 1, lines 11-13; page 4, lines 10-24; page 5, lines 21-25; page 6, line 1; claims 1-5.	10-11,17
Y		1-5,7-9,12,18
A		6,13-16,19-21
Y	US 04915100 A (GREEN, DAVID T.) 10 April 1990 See abstract; figs. 1-2, 5; column 2, lines 35-41; column 3, lines 8-43; column 4, lines 16-19; claim 1.	1-5,7-9,12,18
A	US 2005-0197661 A1 (CARRISON, HAROLD F. et al.) 08 September 2005 See abstract; fig. 5, 25C; paragraphs 47-48, 55, 64; claims 1, 18.	1-21
A	US 2005-0033338 A1 (FERREE, BRET A.) 10 February 2005 See abstract; fig. 13A; paragraph 89; claim 1.	1-21

 Further documents are listed in the continuation of Box C. See patent family annex.

* Special categories of cited documents:

"A" document defining the general state of the art which is not considered to be of particular relevance

"E" earlier application or patent but published on or after the international filing date

"L" document which may throw doubts on priority claim(s) or which is cited to establish the publication date of citation or other special reason (as specified)

"O" document referring to an oral disclosure, use, exhibition or other means

"P" document published prior to the international filing date but later than the priority date claimed

"T" later document published after the international filing date or priority date and not in conflict with the application but cited to understand the principle or theory underlying the invention

"X" document of particular relevance; the claimed invention cannot be considered novel or cannot be considered to involve an inventive step when the document is taken alone

"Y" document of particular relevance; the claimed invention cannot be considered to involve an inventive step when the document is combined with one or more other such documents, such combination being obvious to a person skilled in the art

"&" document member of the same patent family

Date of the actual completion of the international search

21 NOVEMBER 2012 (21.11.2012)

Date of mailing of the international search report

23 NOVEMBER 2012 (23.11.2012)

Name and mailing address of the ISA/KR

Korean Intellectual Property Office
189 Cheongsu-ro, Seo-gu, Daejeon Metropolitan
City, 302-701, Republic of Korea

Facsimile No. 82-42-472-7140

Authorized officer

BYUN, SUNG CHEAL

Telephone No. 82-42-481-8262



INTERNATIONAL SEARCH REPORT

Information on patent family members

International application No.

PCT/US2012/038005

Patent document cited in search report	Publication date	Patent family member(s)	Publication date
EP 0033958 A1	19.08.1981	AU 538348 B2 AU 6696381 A CA 1156725 A1 DE 3160334 D1 EP 0033958 B1 JP 56-112237 A	09.08.1984 13.08.1981 08.11.1983 07.07.1983 25.05.1983 04.09.1981
US 04915100 A	10.04.1990	EP 0375305 A3 US 04881544 A	31.10.1990 21.11.1989
US 2005-0197661 A1	08.09.2005	None	
US 2005-0033338 A1	10.02.2005	None	