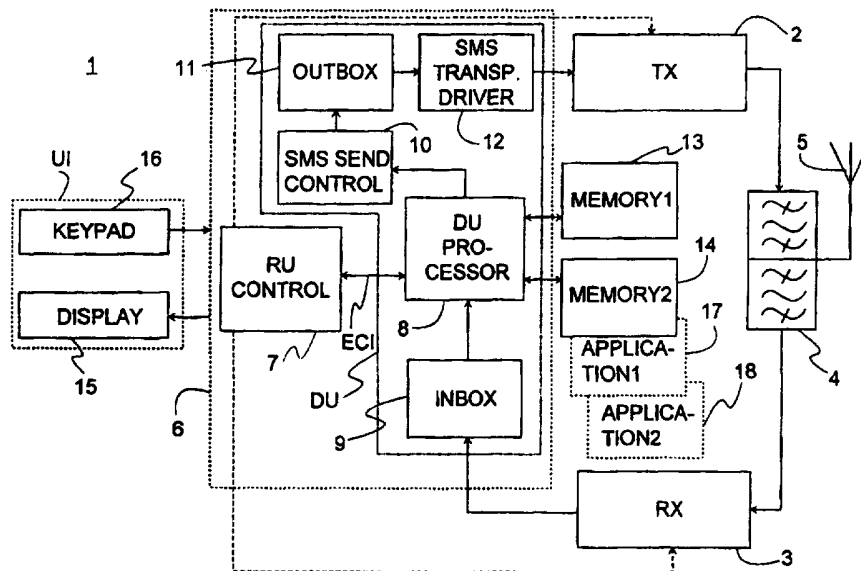




INTERNATIONAL APPLICATION PUBLISHED UNDER THE PATENT COOPERATION TREATY (PCT)

<p>(51) International Patent Classification ⁶ : H04Q 7/32</p>	<p>A3</p>	<p>(11) International Publication Number: WO 97/32439 (43) International Publication Date: 4 September 1997 (04.09.97)</p>
<p>(21) International Application Number: PCT/FI97/00119 (22) International Filing Date: 21 February 1997 (21.02.97) (30) Priority Data: 960895 26 February 1996 (26.02.96) FI (71) Applicant (for all designated States except US): NOKIA MOBILE PHONES LTD. [FI/FI]; P.O. Box 86, FIN-24101 Salo (FI). (72) Inventors; and (75) Inventors/Applicants (for US only): LEHTONEN, Arto, H. [FI/FI]; Silakatu 20, FIN-33730 Tampere (FI). PIHKO, Pete [FI/US]; 26 Taft Avenue, Lexington, MA 02173 (US). TARNANEN, Teemu [FI/FI]; Kaskipuunkaari 5 C 6, FIN-02340 Espoo (FI). KARI, Hannu, H. [FI/FI]; Kullervonkuja 9 B 9, FIN-02880 Veikkola (FI). MÄENPÄÄ, Jari [FI/FI]; Pispankatu 7 As 3, FIN-33240 Tampere (FI). ALANÄRÄ, Seppo [FI/FI]; Hallituskatu 11 B 31, FIN-90100 Oulu (FI). ISOMURSU, Pekka [FI/FI]; Järvenkorvenkuja 2B4, FIN-90550 Oulu (FI). MIETTUNEN, Juhani [FI/FI]; Oivantie 15, FIN-90580 Oulu (FI). LIETSALMI, Mikko [FI/FI]; Suunnistajantie 2B, FIN-90650 Oulu (FI). KYKÄNEN, Petri [FI/FI]; Tahmelankutu 7 A 3, FIN-33240 Tampere (FI). GUSTAFSSON, Patrik [FI/FI]; Elsasgränd 5 E 61, FIN-</p>		<p>02230 Espoo (FI). TERHO, Mikko [FI/FI]; Veisunkatu 58 A 1, FIN-33820 Tampere (FI). KAARTINEN, Kalevi [FI/DE]; Hattmutter Strasse 12, D-40699 Erkrath (DE). DECKER, Peter [DE/DE]; Sibeliussstrasse 33, D-45772 Marl (DE). (74) Agent: JOHANSSON, Folke; Nokia Mobile Phones Ltd., P.O. Box 100, FIN-00045 Nokia Group (FI). (81) Designated States: AL, AM, AT, AU, AZ, BA, BB, BG, BR, BY, CA, CH, CN, CU, CZ, DE, DK, EE, ES, FI, GB, GE, HU, IL, IS, JP, KE, KG, KP, KR, KZ, LC, LK, LR, LS, LT, LU, LV, MD, MG, MK, MN, MW, MX, NO, NZ, PL, PT, RO, RU, SD, SE, SG, SI, SK, TJ, TM, TR, TT, UA, UG, US, VZ, VN, ARIPO patent (KE, LS, MW, SD, SZ, UG), Eurasian patent (AM, AZ, BY, KG, KZ, MD, RU, TJ, TM), European patent (AT, BE, CH, DE, DK, ES, FI, FR, GB, GR, IE, IT, LU, MC, NL, PT, SE), OAPI patent (BF, BJ, CF, CG, CI, CM, GA, GN, ML, MR, NE, SN, TD, TG). Published <i>With international search report.</i> <i>Before the expiration of the time limit for amending the claims and to be republished in the event of the receipt of amendments.</i> (88) Date of publication of the international search report: 9 October 1997 (09.10.97)</p>

(54) Title: A COMMUNICATION NETWORK TERMINAL SUPPORTING A PLURALITY OF APPLICATIONS



(57) Abstract

The present invention relates to a terminal (1) for a communication network, the terminal being capable of supporting a plurality of applications (17, 18) and having means of communicating user messages. The terminal comprises means for receiving user messages having data and a header relating to one of the applications (17, 18) and means (8) for addressing the data to a respective application according to the header. In an embodiment the user messages are short messages and the data comprises characters in the short message.

FOR THE PURPOSES OF INFORMATION ONLY

Codes used to identify States party to the PCT on the front pages of pamphlets publishing international applications under the PCT.

AM	Armenia	GB	United Kingdom	MW	Malawi
AT	Austria	GE	Georgia	MX	Mexico
AU	Australia	GN	Guinea	NE	Niger
BB	Barbados	GR	Greece	NL	Netherlands
BE	Belgium	HU	Hungary	NO	Norway
BF	Burkina Faso	IE	Ireland	NZ	New Zealand
BG	Bulgaria	IT	Italy	PL	Poland
BJ	Benin	JP	Japan	PT	Portugal
BR	Brazil	KE	Kenya	RO	Romania
BY	Belarus	KG	Kyrgyzstan	RU	Russian Federation
CA	Canada	KP	Democratic People's Republic of Korea	SD	Sudan
CF	Central African Republic	KR	Republic of Korea	SE	Sweden
CG	Congo	KZ	Kazakhstan	SG	Singapore
CH	Switzerland	LI	Liechtenstein	SI	Slovenia
CI	Côte d'Ivoire	LK	Sri Lanka	SK	Slovakia
CM	Cameroon	LR	Liberia	SN	Senegal
CN	China	LT	Lithuania	SZ	Swaziland
CS	Czechoslovakia	LU	Luxembourg	TD	Chad
CZ	Czech Republic	LV	Latvia	TG	Togo
DE	Germany	MC	Monaco	TJ	Tajikistan
DK	Denmark	MD	Republic of Moldova	TT	Trinidad and Tobago
EE	Estonia	MG	Madagascar	UA	Ukraine
ES	Spain	ML	Mali	UG	Uganda
FI	Finland	MN	Mongolia	US	United States of America
FR	France	MR	Mauritania	UZ	Uzbekistan
GA	Gabon			VN	Viet Nam

INTERNATIONAL SEARCH REPORT

International application No.

PCT/FI 97/00119

A. CLASSIFICATION OF SUBJECT MATTER

IPC6: H04Q 7/32

According to International Patent Classification (IPC) or to both national classification and IPC

B. FIELDS SEARCHED

Minimum documentation searched (classification system followed by classification symbols)

IPC6: H04Q, H04M

Documentation searched other than minimum documentation to the extent that such documents are included in the fields searched

SE,DK,FI,NO classes as above

Electronic data base consulted during the international search (name of data base and, where practicable, search terms used)

C. DOCUMENTS CONSIDERED TO BE RELEVANT

Category*	Citation of document, with indication, where appropriate, of the relevant passages	Relevant to claim No.
X	WO 9534998 A2 (TSAKANIKAS, PETER, JAMES), 21 December 1995 (21.12.95), page 1, line 6 - line 14; page 11, line 18 - page 12, line 2; page 20, line 11 - line 16, page 22, line 19 - page 23, line 14 --	1,5,7
Y	US 5335276 A (E. EARLE THOMPSON ET AL), 2 August 1994 (02.08.94), column 2, line 54 - column 3, line 6; column 3, line 27 - line 55; column 4, line 12 - line 41, col. 4, l. 66 - col. 5, l. 3; col. 5, ll. 34-46; col. 13, ll. 22-28; col. 14, ll. 6-15; col. 15, ll. 29-47; col. 16, ll. 21-36; col. 19, l. 65 - col. 20, l. 15 --	1-7

 Further documents are listed in the continuation of Box C.

 See patent family annex.

* Special categories of cited documents:	"T" later document published after the international filing date or priority date and not in conflict with the application but cited to understand the principle or theory underlying the invention
"A" document defining the general state of the art which is not considered to be of particular relevance	"X" document of particular relevance: the claimed invention cannot be considered novel or cannot be considered to involve an inventive step when the document is taken alone
"E" earlier document but published on or after the international filing date	"Y" document of particular relevance: the claimed invention cannot be considered to involve an inventive step when the document is combined with one or more other such documents, such combination being obvious to a person skilled in the art
"L" document which may throw doubts on priority claim(s) or which is cited to establish the publication date of another citation or other special reason (as specified)	"&" document member of the same patent family
"O" document referring to an oral disclosure, use, exhibition or other means	
"P" document published prior to the international filing date but later than the priority date claimed	

Date of the actual completion of the international search

25 August 1997

Date of mailing of the international search report

26.08.97

Name and mailing address of the ISA/
Swedish Patent Office
Box 5055, S-102 42 STOCKHOLM
Facsimile No. +46 8 666 02 86

Authorized officer

Peter Hedman
Telephone No. +46 8 782 25 00

INTERNATIONAL SEARCH REPORT

International application No.

PCT/FI 97/00119

C (Continuation). DOCUMENTS CONSIDERED TO BE RELEVANT

Category*	Citation of document, with indication, where appropriate, of the relevant passages	Relevant to claim No.
Y	WO 9512934 A1 (TELEFONAKTIEBOLAGET LM ERICSSON), 11 May 1995 (11.05.95), page 1, line 6 - line 9; page 9, line 23 - page 10, line 10, claims 1,2 --	1-7
X,P	WO 9701940 A1 (PHILIPS ELECTRONICS N.V.), 16 January 1997 (16.01.97), page 1, line 15 - page 2, line 17; page 6, line 23 - line 32, figure 2, abstract -- -----	1,3-5,7

INTERNATIONAL SEARCH REPORT

Information on patent family members

International application No.

PCT/FT 97/00119

Patent document cited in search report	Publication date	Patent family member(s)	Publication date
WO 9512934 A1	11/05/95	AU 1048095 A	23/05/95
		AU 1048395 A	23/05/95
		AU 1087495 A	23/05/95
		AU 1087695 A	23/05/95
		AU 2079997 A	24/07/97
		AU 7757094 A	18/05/95
		AU 8131394 A	23/05/95
		AU 8131494 A	23/05/95
		BR 9404316 A	04/07/95
		BR 9405702 A	28/11/95
		BR 9405703 A	28/11/95
		BR 9405704 A	28/11/95
		BR 9405705 A	28/11/95
		BR 9405743 A	05/12/95
		BR 9405927 A	05/12/95
		CA 2134695 A	02/05/95
		CA 2152942 A	11/05/95
		CA 2152943 A	11/05/95
		CA 2152944 A	11/05/95
		CA 2152945 A	11/05/95
		CA 2152946 A	11/05/95
		CA 2152947 A	11/05/95
		CN 1112345 A	22/11/95
		CN 1116888 A	14/02/96
		CN 1117329 A	21/02/96
		CN 1117330 A	21/02/96
		CN 1117331 A	21/02/96
		CN 1117332 A	21/02/96
		CN 1124074 A	05/06/96
		EP 0652680 A	10/05/95
		EP 0677222 A	18/10/95
		EP 0677223 A	18/10/95
		EP 0677224 A	18/10/95
		EP 0679304 A	02/11/95
		EP 0681766 A	15/11/95
		EP 0682829 A	22/11/95
		FI 953262 A	30/08/95
		FI 953263 A	30/06/95
		FI 953264 A	30/06/95
		FI 953265 A	30/06/95
		FI 953266 A	30/06/95
		FI 953267 A	22/08/95
		FI 953268 A	30/06/95
		JP 8508627 T	10/09/96
		JP 8508628 T	10/09/96
		JP 8508629 T	10/09/96
		JP 8508630 T	10/09/96
		JP 8508631 T	10/09/96
		JP 8509340 T	01/10/96
		JP 8510607 T	05/11/96
		SE 9403725 A	19/06/95
		US 5539748 A	23/07/96
		US 5570467 A	29/10/96
		US 5574996 A	12/11/96
		US 5577046 A	19/11/96

INTERNATIONAL SEARCH REPORT

Information on patent family members

International application No.

PCT/FT 97/00119

Patent document cited in search report	Publication date	Patent family member(s)	Publication date
WO 9512934 A1	11/05/95	US 5603081 A	11/02/97
		US 5604744 A	18/02/97
		US 5633874 A	27/05/97
		WO 9512930 A	11/05/95
		WO 9512931 A	11/05/95
		WO 9512932 A	11/05/95
		WO 9512933 A	11/05/95
		WO 9512935 A	11/05/95
		WO 9512936 A	11/05/95

WO 9701940 A1	16/01/97	EP 0787413 A	06/08/97

INTERNATIONAL SEARCH REPORT

Information on patent family members

International application No.

PCT/FT 97/00119

Patent document cited in search report	Publication date	Patent family member(s)	Publication date
WO 9534998 A2	21/12/95	AU 2693995 A EP 0712560 A	05/01/96 22/05/96
US 5335276 A	02/08/94	NONE	