



US00D716288S

(12) **United States Design Patent**  
**O’Heron et al.**

(10) **Patent No.:** **US D716,288 S**

(45) **Date of Patent:** **\*\* Oct. 28, 2014**

(54) **SMARTPHONE HOLDER**

(71) Applicants: **Patrick T. O’Heron**, Arnold, MO (US);  
**Daniel G. O’Heron, Sr.**, St. Louis, MO (US)

(72) Inventors: **Patrick T. O’Heron**, Arnold, MO (US);  
**Daniel G. O’Heron, Sr.**, St. Louis, MO (US)

(\*\*) Term: **14 Years**

(21) Appl. No.: **29/448,717**

(22) Filed: **Mar. 13, 2013**

(51) **LOC (10) Cl.** ..... **14-03**

(52) **U.S. Cl.**  
USPC ..... **D14/253**

(58) **Field of Classification Search**

USPC ..... D14/137, 140, 140.8, 142, 204, 209.1,  
D14/217, 221, 243–256, 434, 440, 444–447,  
D14/238.1; D8/400–404, 499; D2/861;  
D3/215, 218, 304, 269; D6/467, 300,  
D6/310, 553–574; D25/318; 292/342, 343;  
248/188.2; D12/415, 411; D19/87, 90;  
455/573, 575.9; D23/343, 345, 404

See application file for complete search history.

(56) **References Cited**

U.S. PATENT DOCUMENTS

D177,756 S *	5/1956	Peterson et al.	.....	D11/130.1
D181,597 S *	12/1957	Mosher	.....	D23/345
D226,563 S *	3/1973	Hardt	.....	D23/345
D238,277 S *	12/1975	Zaitlin	.....	D23/345
D347,888 S *	6/1994	Jackson	.....	D23/403
D420,114 S *	2/2000	Johnson	.....	D23/343
D459,346 S *	6/2002	Powell	.....	D14/250
D499,091 S *	11/2004	Taylor et al.	.....	D14/252
D507,337 S *	7/2005	Chan	.....	D23/335
D516,024 S	2/2006	Quinn		
D558,748 S	1/2008	Speiss		
D582,660 S	12/2008	Katsof		
D582,661 S	12/2008	Katsof		
D610,800 S	3/2010	Jusic		
7,719,830 B2	5/2010	Howarth et al.		
7,769,163 B2	8/2010	Gloede et al.		
D653,739 S *	2/2012	Gibbs	.....	D23/332

D692,008 S *	10/2013	Feldstein et al.	.....	D14/447
D696,758 S *	12/2013	Ernst	.....	D23/345
2007/0090254 A1	4/2007	Del Frari		
2011/0026749 A1	2/2011	Yaun		
2011/0131358 A1	6/2011	Ganesh et al.		

\* cited by examiner

*Primary Examiner* — Susan Bennett Hattan

*Assistant Examiner* — Janice Hallmark

(74) *Attorney, Agent, or Firm* — Kevin L. Klug

(57) **CLAIM**

The ornamental design for a smartphone holder, as shown and described.

**DESCRIPTION**

FIG. 1 is a front top right perspective view of a smartphone holder;

FIG. 2 is a rear top right perspective view thereof;

FIG. 3 is a front elevation view thereof;

FIG. 4 is a right side elevation view thereof;

FIG. 5 is a top plan view thereof;

FIG. 6 is a rear elevation view thereof, the dashed lines and cross sectional arrows and Fig. references are for figure reference purposes only and form no part of the design;

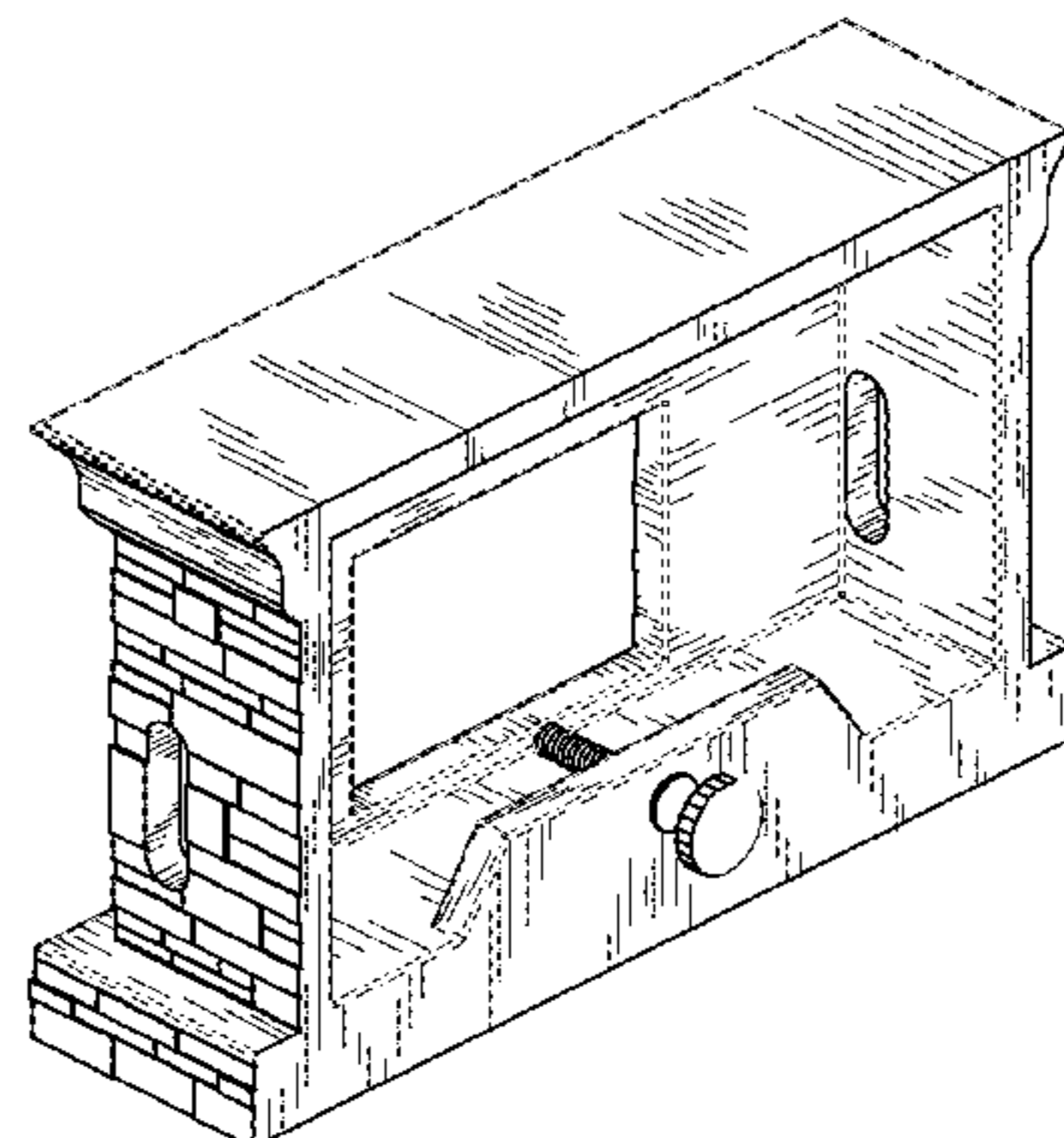
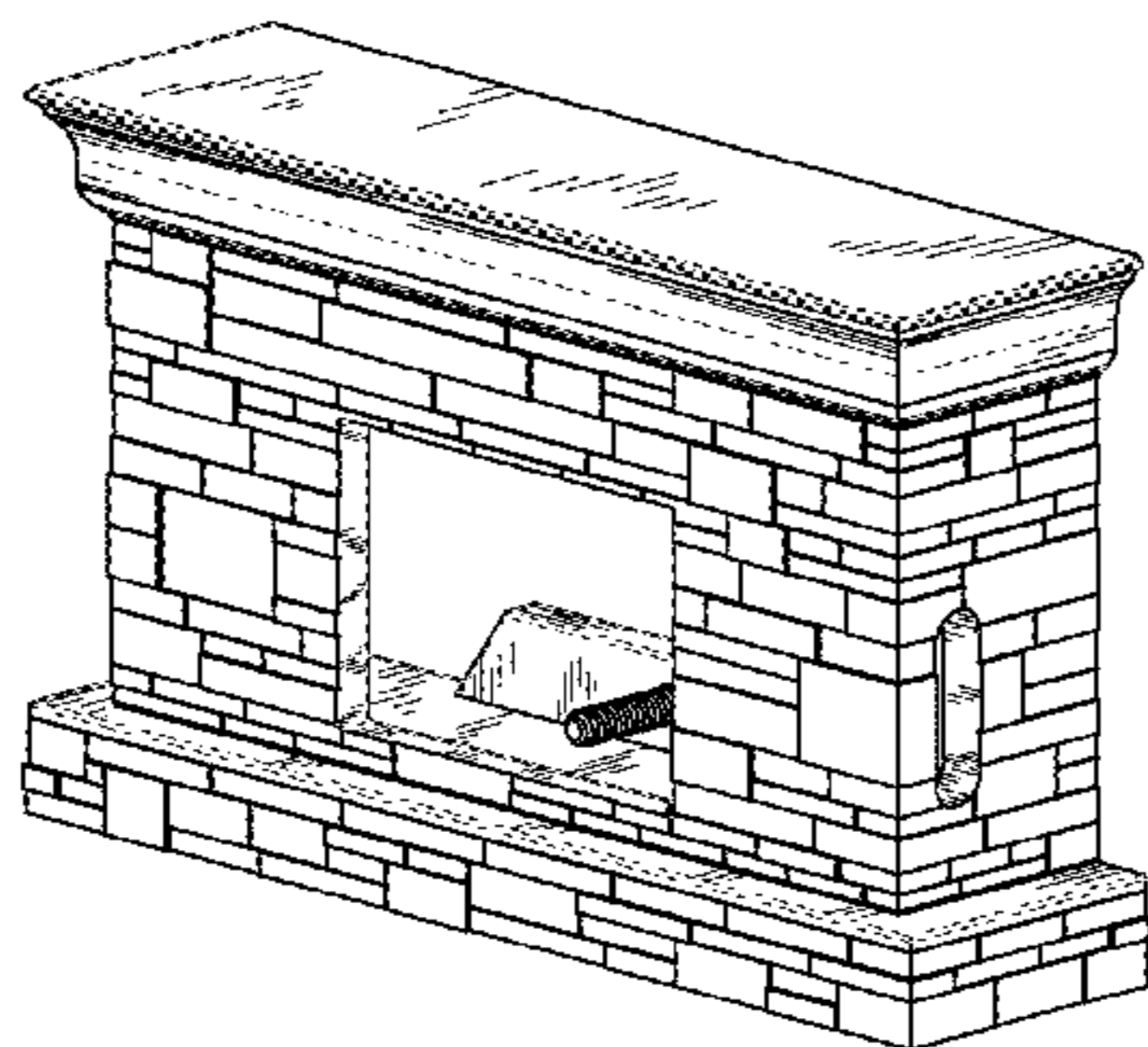
FIG. 7 is an internal plan view thereof seen from the FIG. 7-FIG. 7 cross sectional line portion in FIG. 6, the hatched portions representing a cross sectional cut and forming no part of the design;

FIG. 8 is an internal plan view thereof seen from the FIG. 8-FIG. 8 cross sectional line portion in FIG. 6, the hatched portions representing a cross sectional cut and forming no part of the design;

FIG. 9 is a rear top right perspective view as shown in FIG. 2 with a smartphone shown in phantom with dashed lines in order to show the environment, said dashed lines forming no part of the design; and,

FIG. 10 is a rear elevation view as shown in FIG. 6 with a smartphone shown in phantom with dashed lines in order to show the environment, said dashed lines forming no part of the design.

**1 Claim, 4 Drawing Sheets**



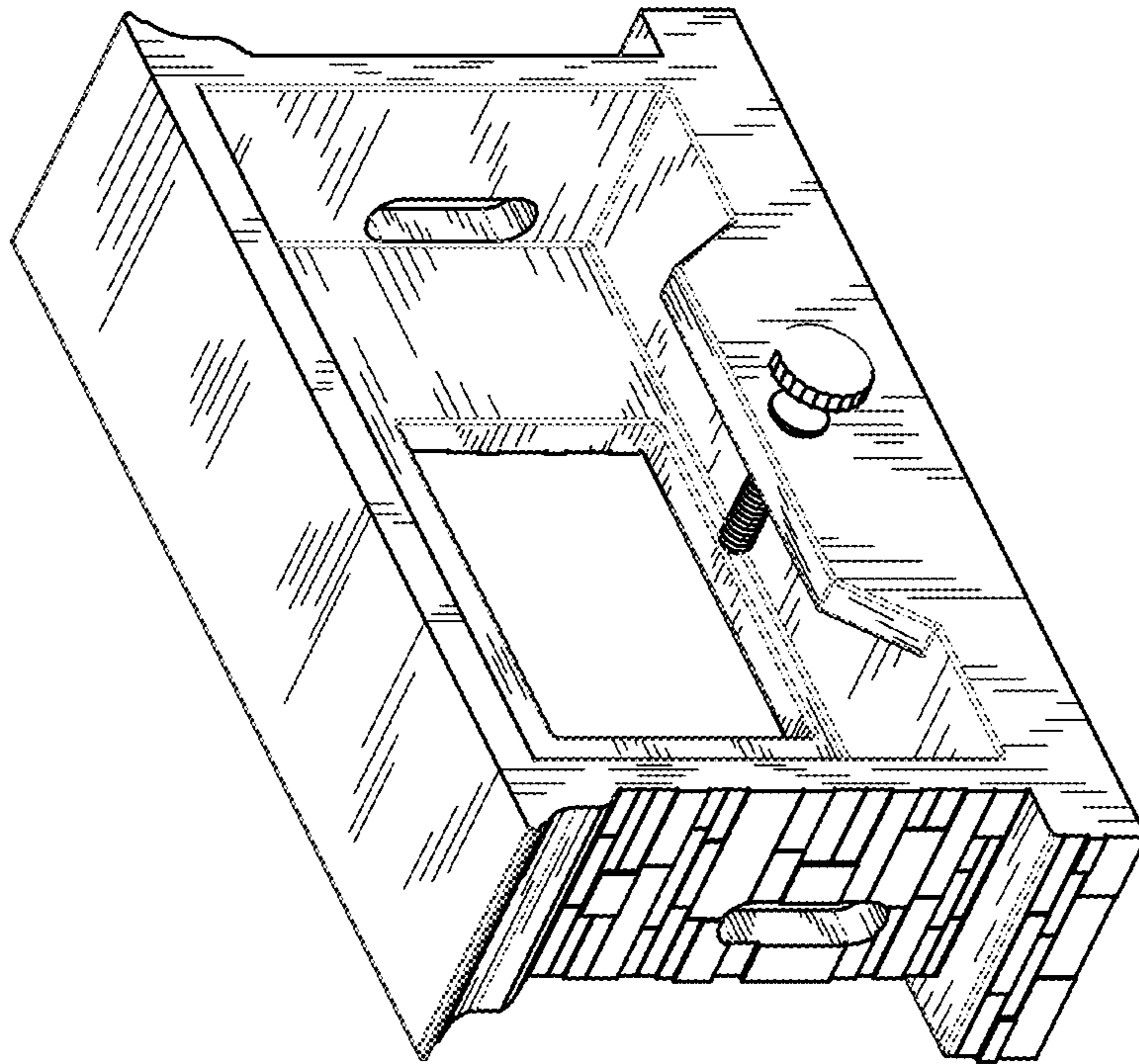


Fig. 2

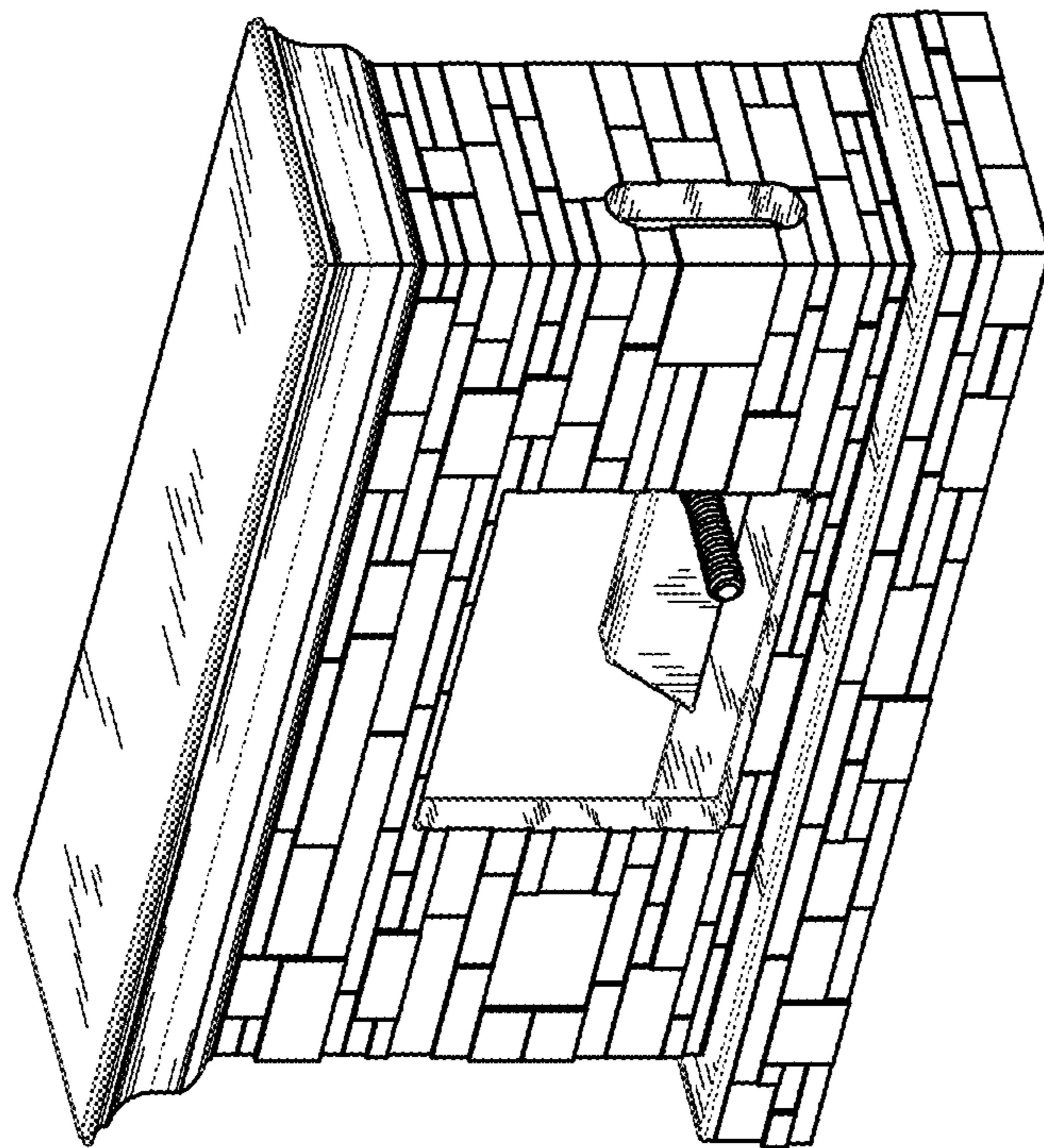


Fig. 1

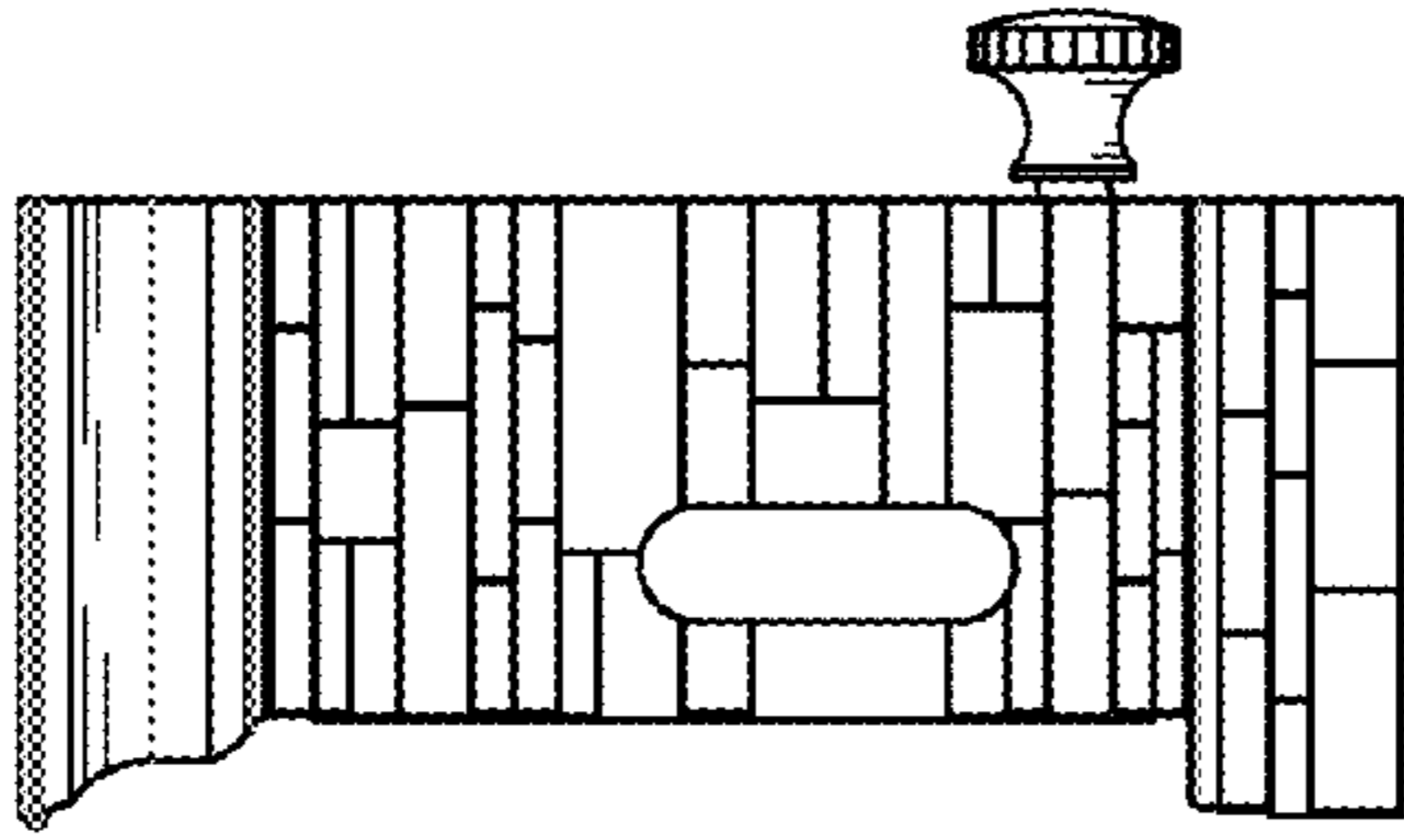


Fig. 4

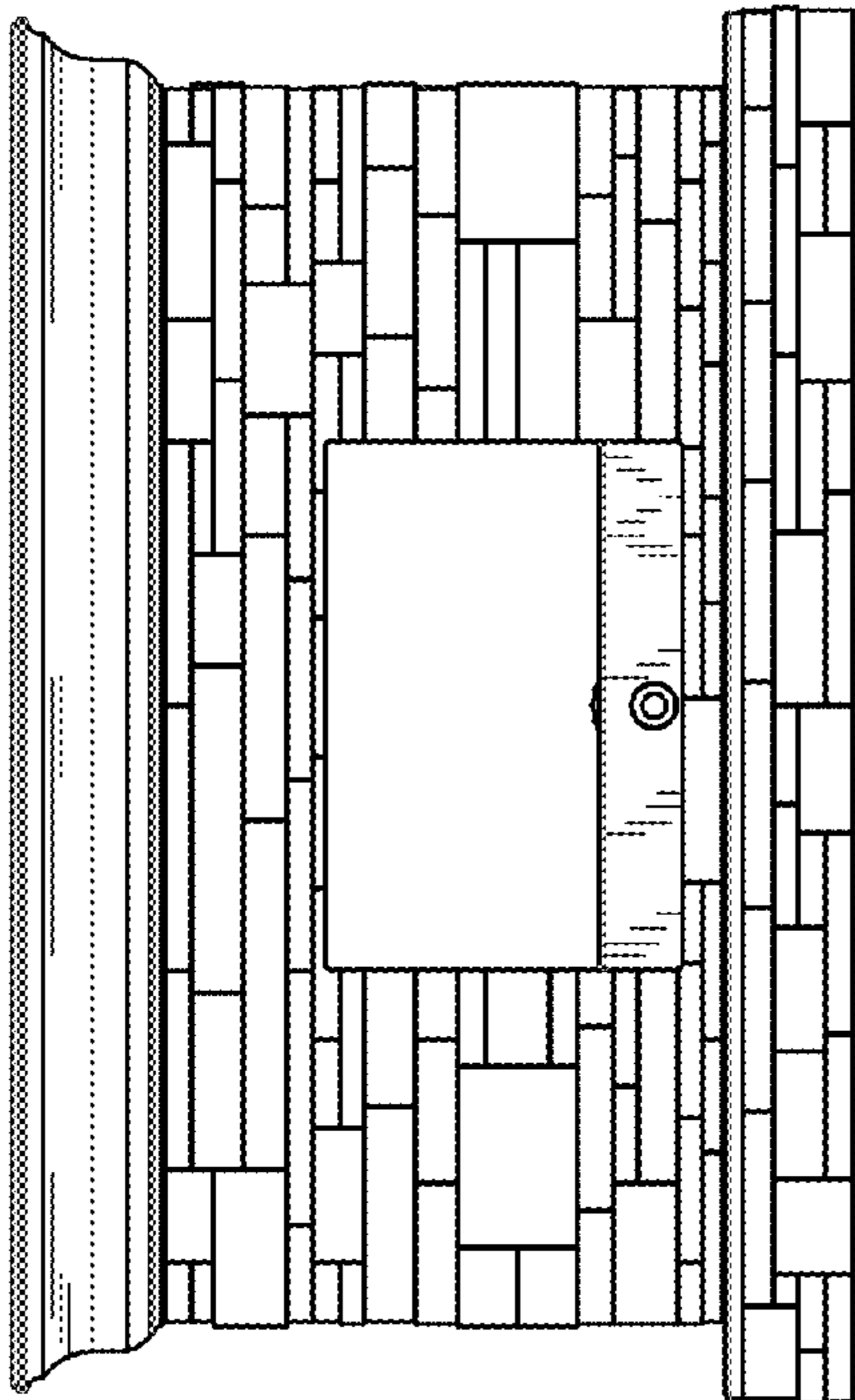


Fig. 3

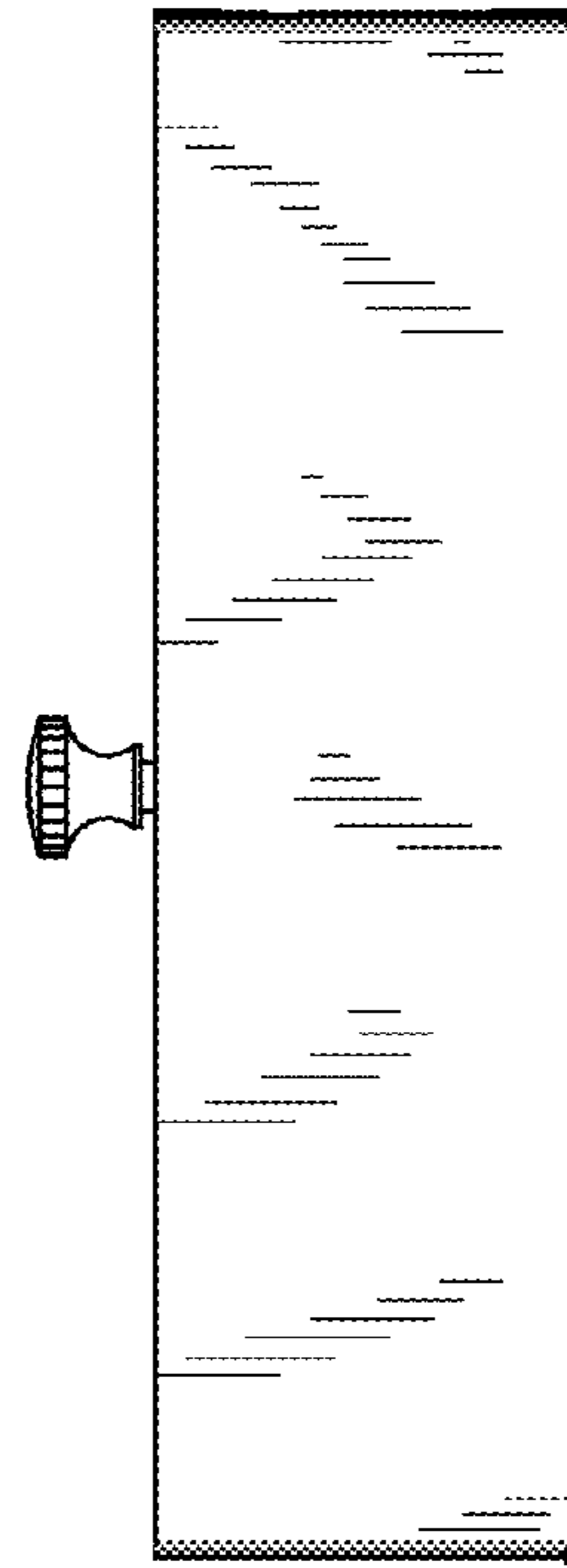


Fig. 5

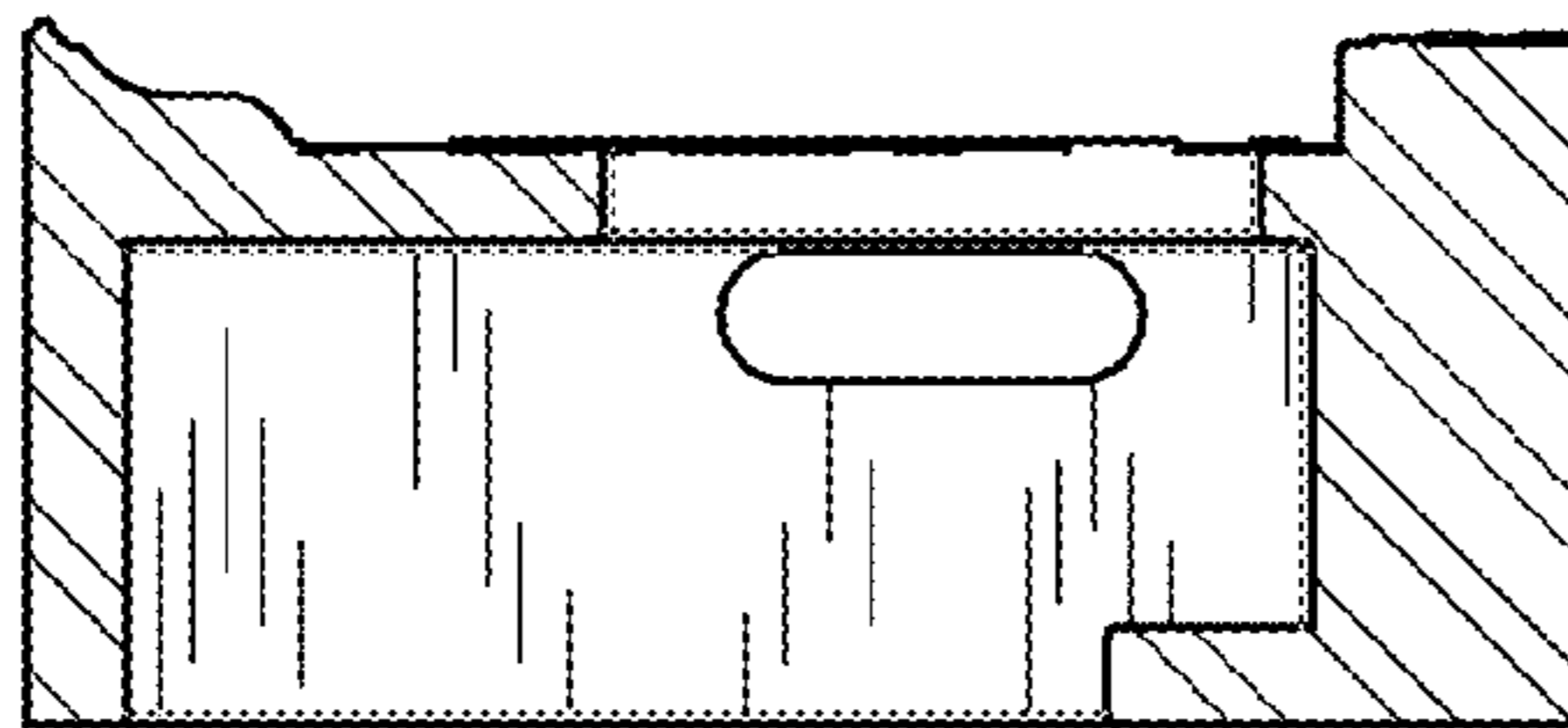


Fig. 7

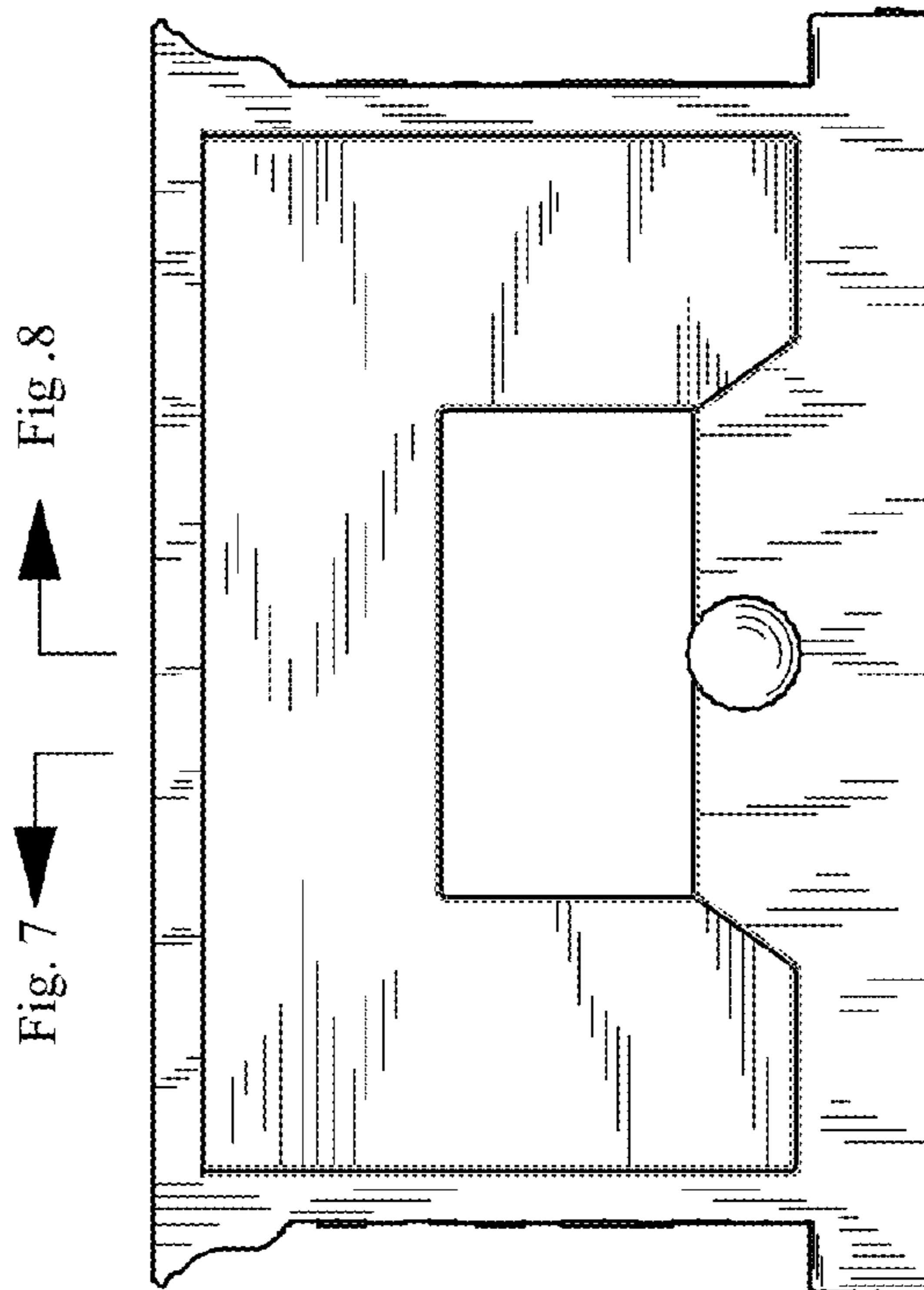


Fig. 6

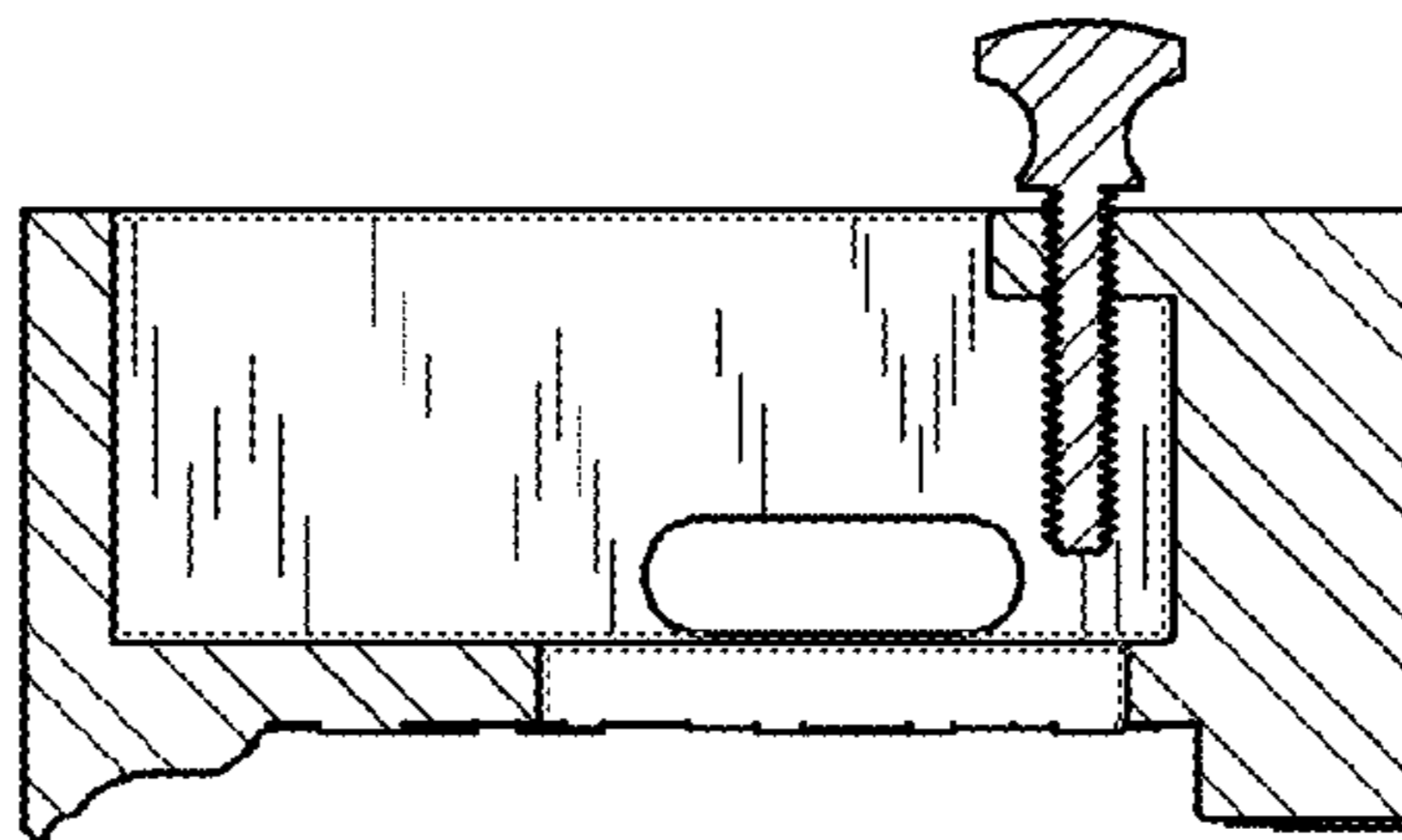


Fig. 8

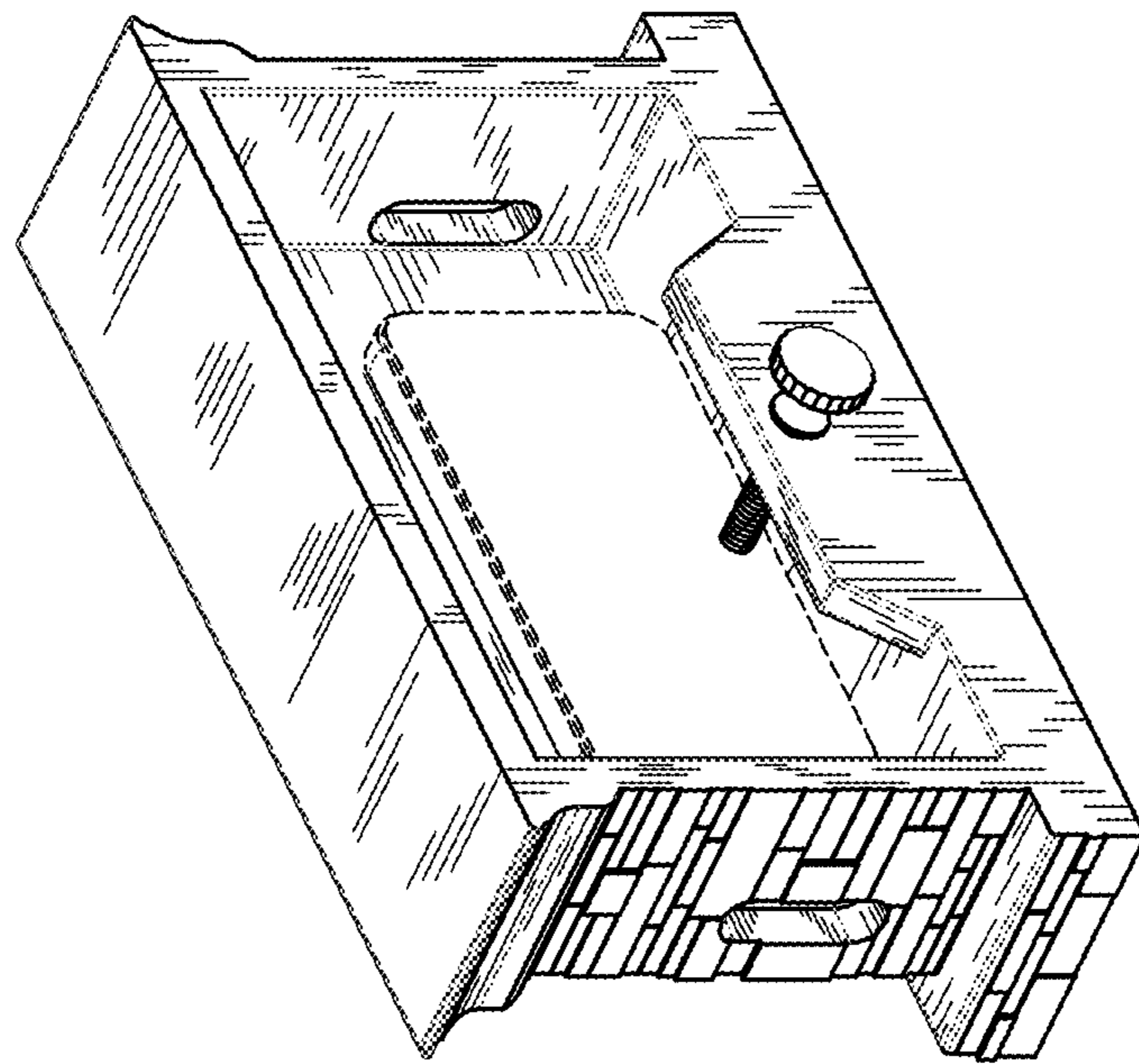


Fig. 9

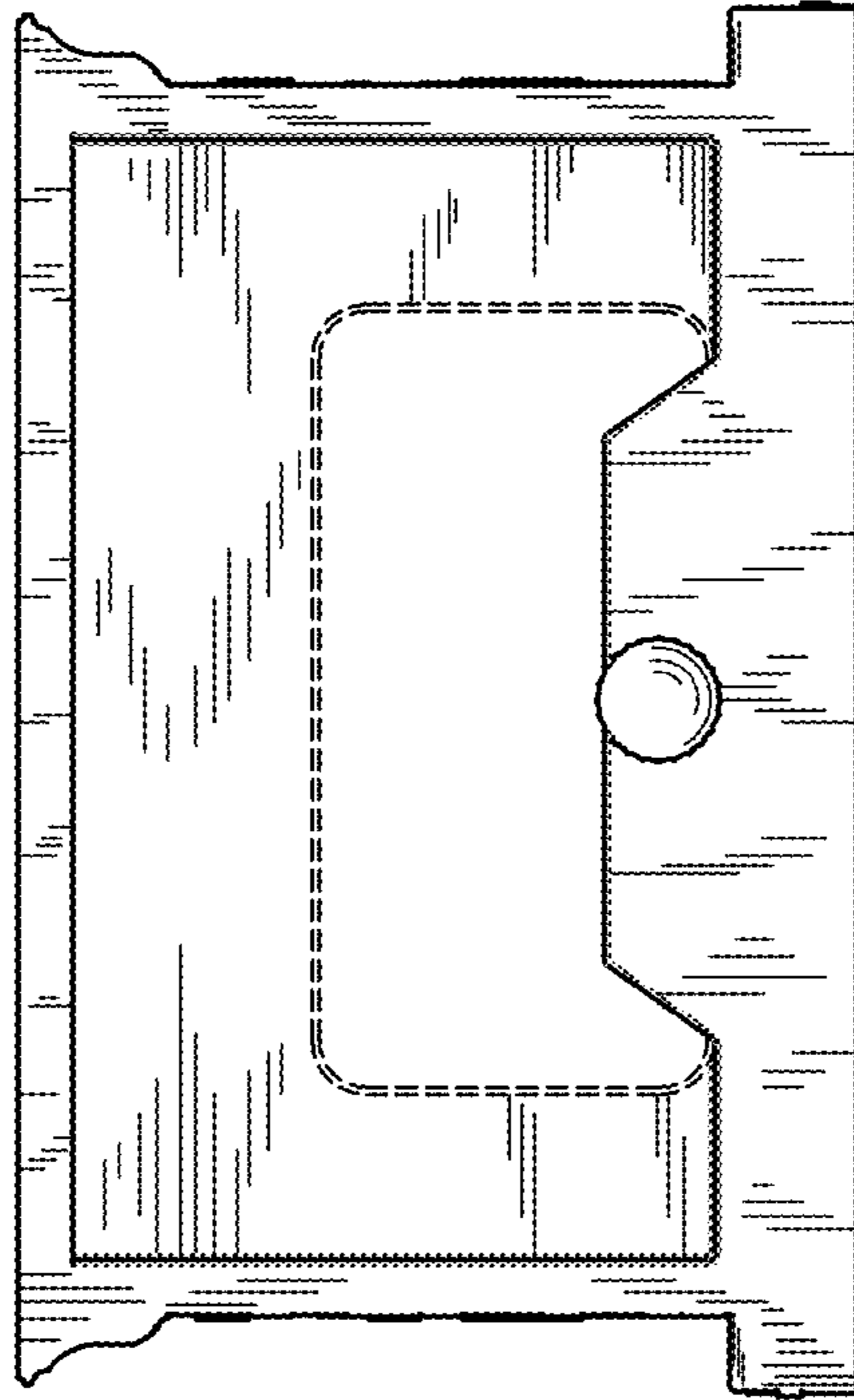


Fig. 10