



US00D801684S

(12) **United States Design Patent**
Chang

(10) **Patent No.:** **US D801,684 S**

(45) **Date of Patent:** **** Nov. 7, 2017**

(54) **TOOL BOX**

(71) Applicant: **WINTEK TOOLS CO., LTD.**,
Taichung (TW)

(72) Inventor: **Hung-Yu Chang**, Taichung (TW)

(73) Assignee: **Wintek Tools Co., Ltd.**, Taichung
(TW)

(**) Term: **15 Years**

(21) Appl. No.: **29/578,214**

(22) Filed: **Sep. 20, 2016**

(51) **LOC (10) Cl.** **03-01**

(52) **U.S. Cl.**
USPC **D3/282; D3/905**

(58) **Field of Classification Search**
USPC D3/206, 262, 271.8, 274, 273, 276, 282,
D3/284, 294, 298, 302, 315, 901, 905,
D3/904, 201
CPC B25H 3/003; A45C 2011/002; A45C
2011/003; A45C 2011/007; A45C 11/16;
A45C 11/36; A45C 11/34; A45C 15/00;
A45D 2040/0012; A45D 40/24
See application file for complete search history.

(56) **References Cited**

U.S. PATENT DOCUMENTS

D364,957 S * 12/1995 Turbowitz D3/276
D369,240 S * 4/1996 Newby, Sr. D3/263

D370,557 S * 6/1996 Ferris D3/201
D370,563 S * 6/1996 Sijmons D3/276
D412,397 S * 8/1999 Liu D3/276
D418,678 S * 1/2000 Robson D3/282
D507,701 S * 7/2005 Chen D3/282
D711,105 S * 8/2014 Brunner D3/281
D719,352 S * 12/2014 Shitrit D3/282
D753,394 S * 4/2016 Brunner D3/276
D780,450 S * 3/2017 Aoki D3/276
2016/0008973 A1* 1/2016 Bensman B65D 43/16
206/372

* cited by examiner

Primary Examiner — Jennifer Rivard

Assistant Examiner — April Rivas

(74) *Attorney, Agent, or Firm* — Rosenberg, Klein & Lee

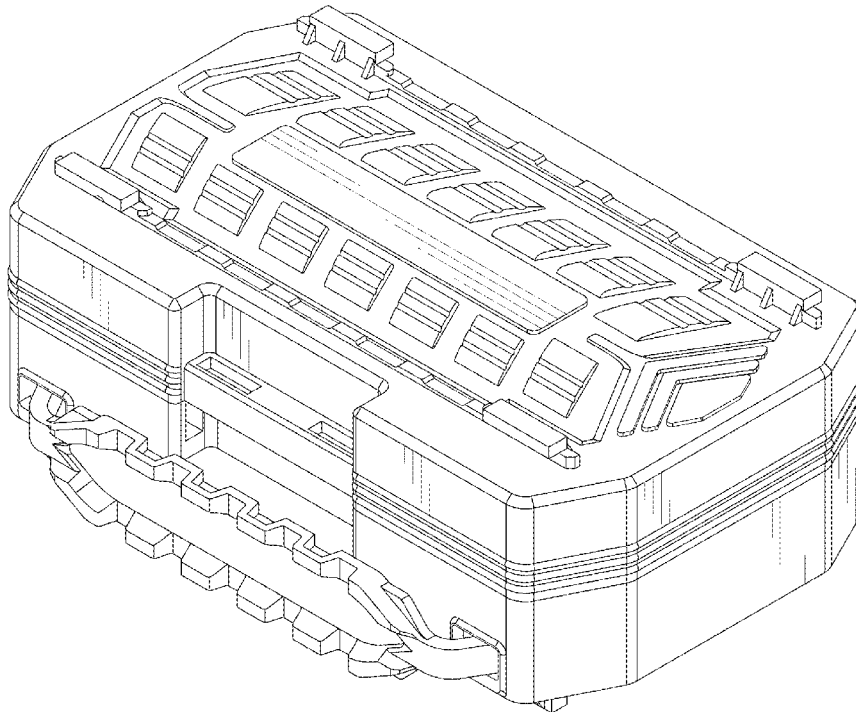
(57) **CLAIM**

The ornamental design for a tool box, as shown and described.

DESCRIPTION

FIG. 1 is a front-right-top perspective view of the tool box showing my new design;
FIG. 2 is a front elevational view thereof;
FIG. 3 is a rear elevational view thereof;
FIG. 4 is a left side elevational view thereof;
FIG. 5 is a right side elevational view thereof;
FIG. 6 is a top plan view thereof;
FIG. 7 is a bottom plan view thereof; and
FIG. 8 is a rear-left-bottom perspective view thereof.
The broken lines illustrate the bounds of the claim and form no part of the claimed design.

1 Claim, 8 Drawing Sheets



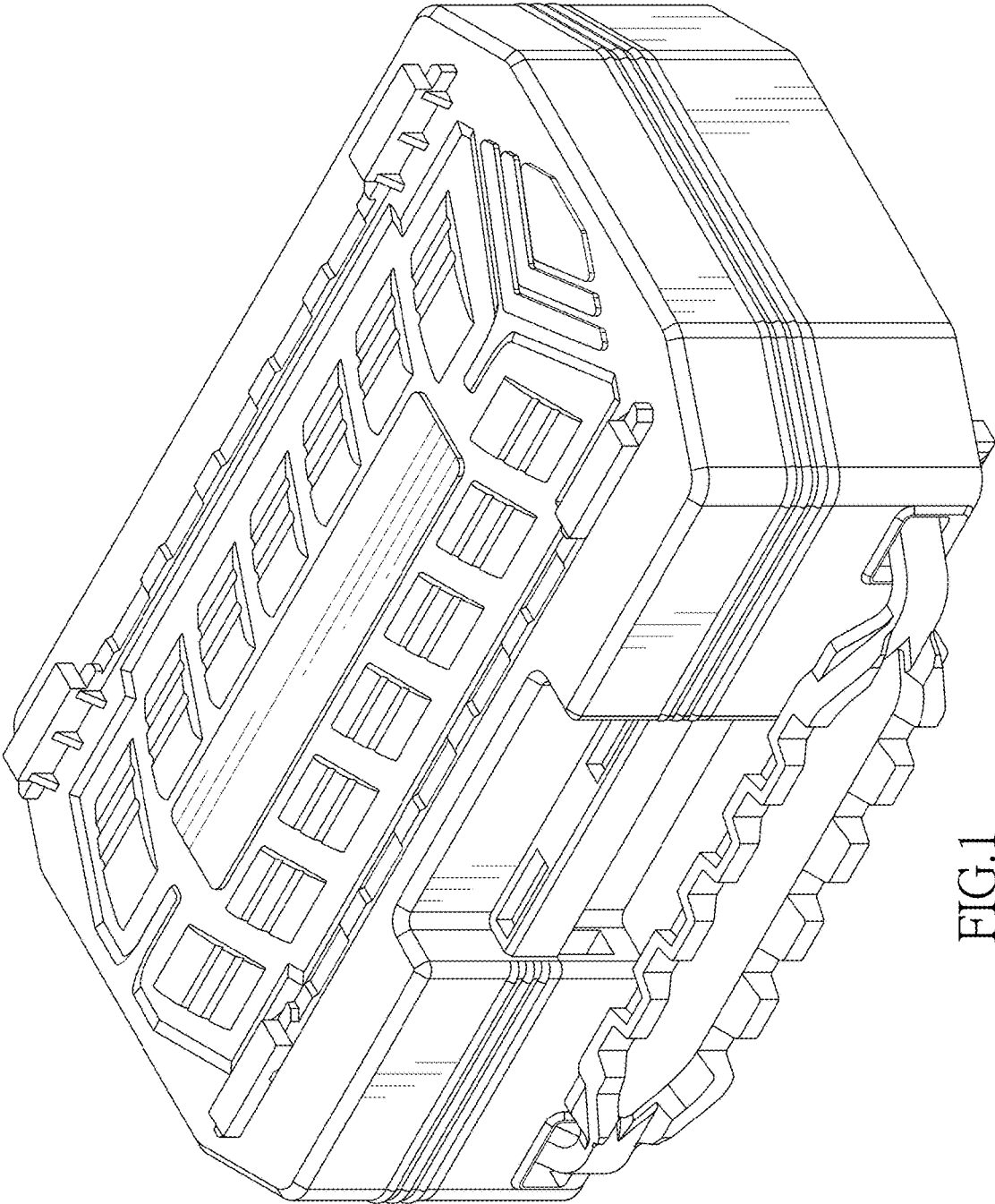


FIG.1

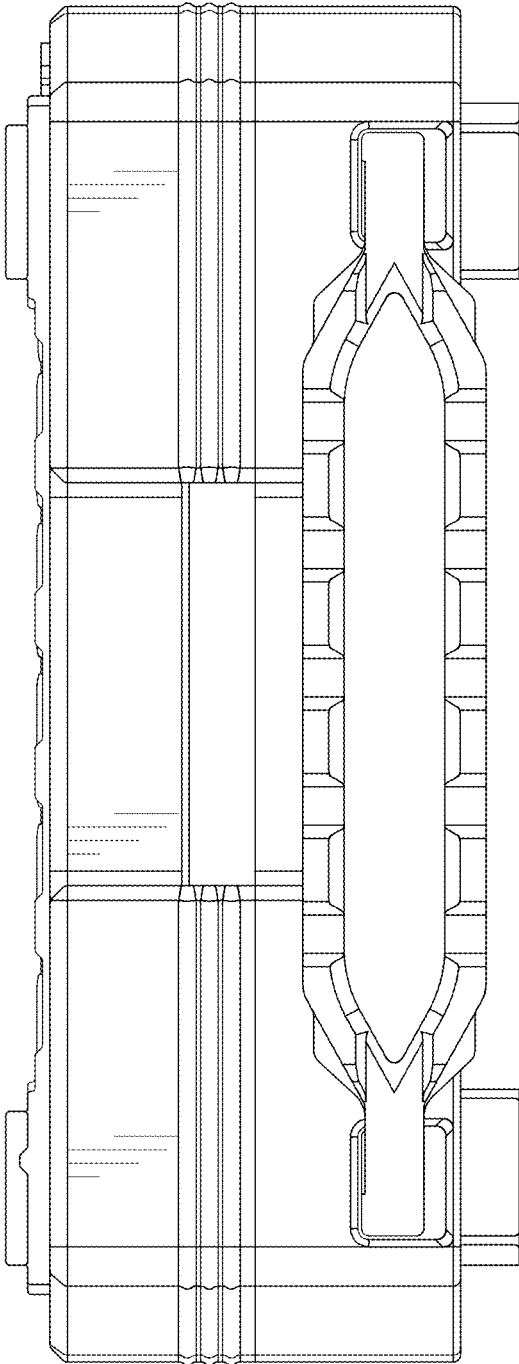


FIG.2

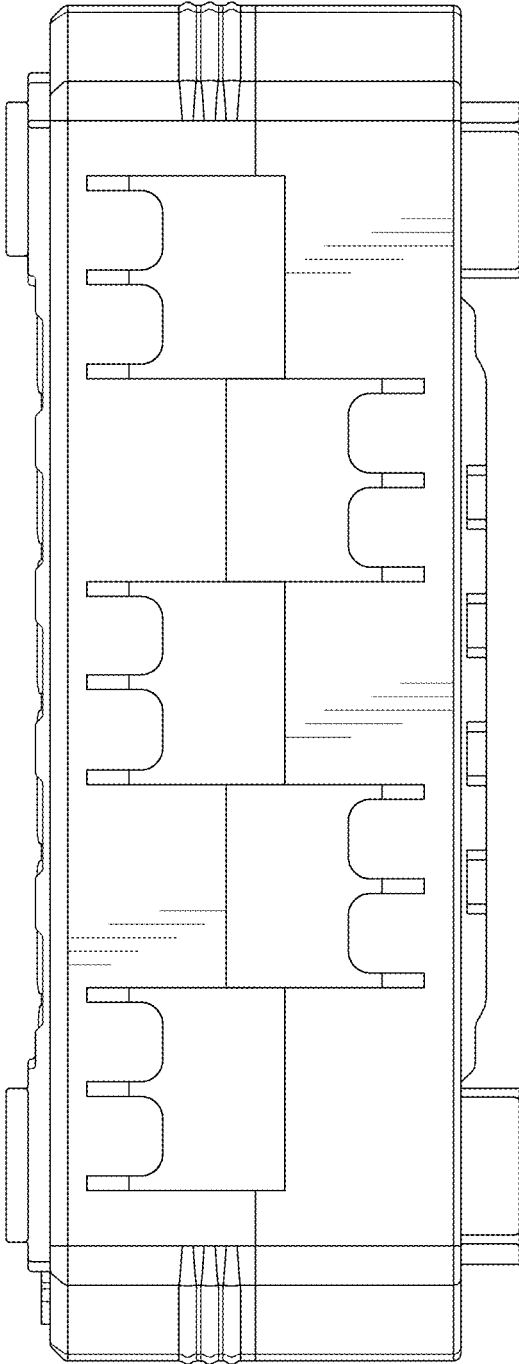


FIG.3

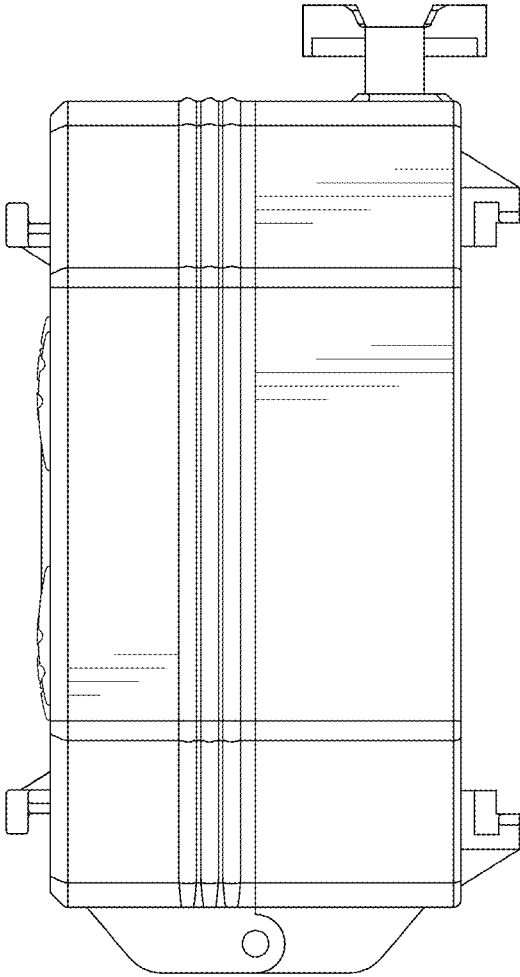


FIG.4

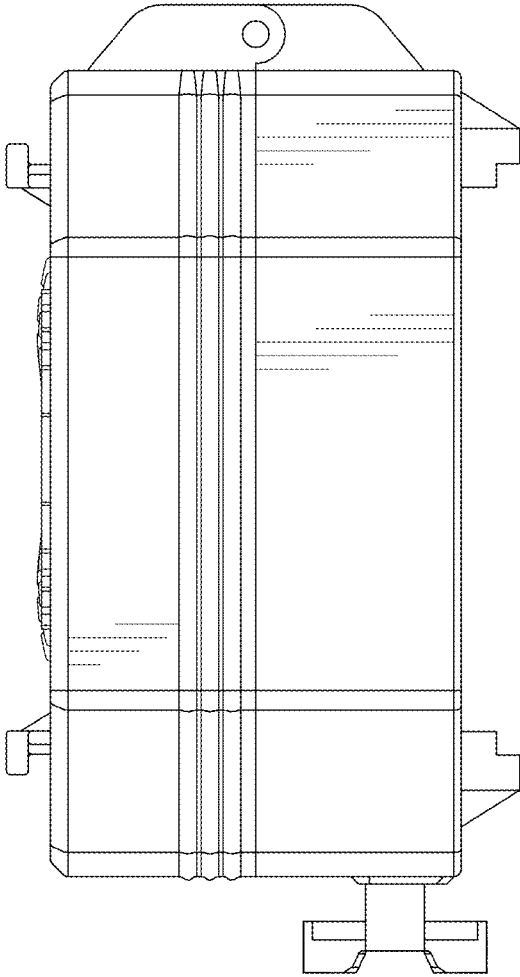


FIG.5

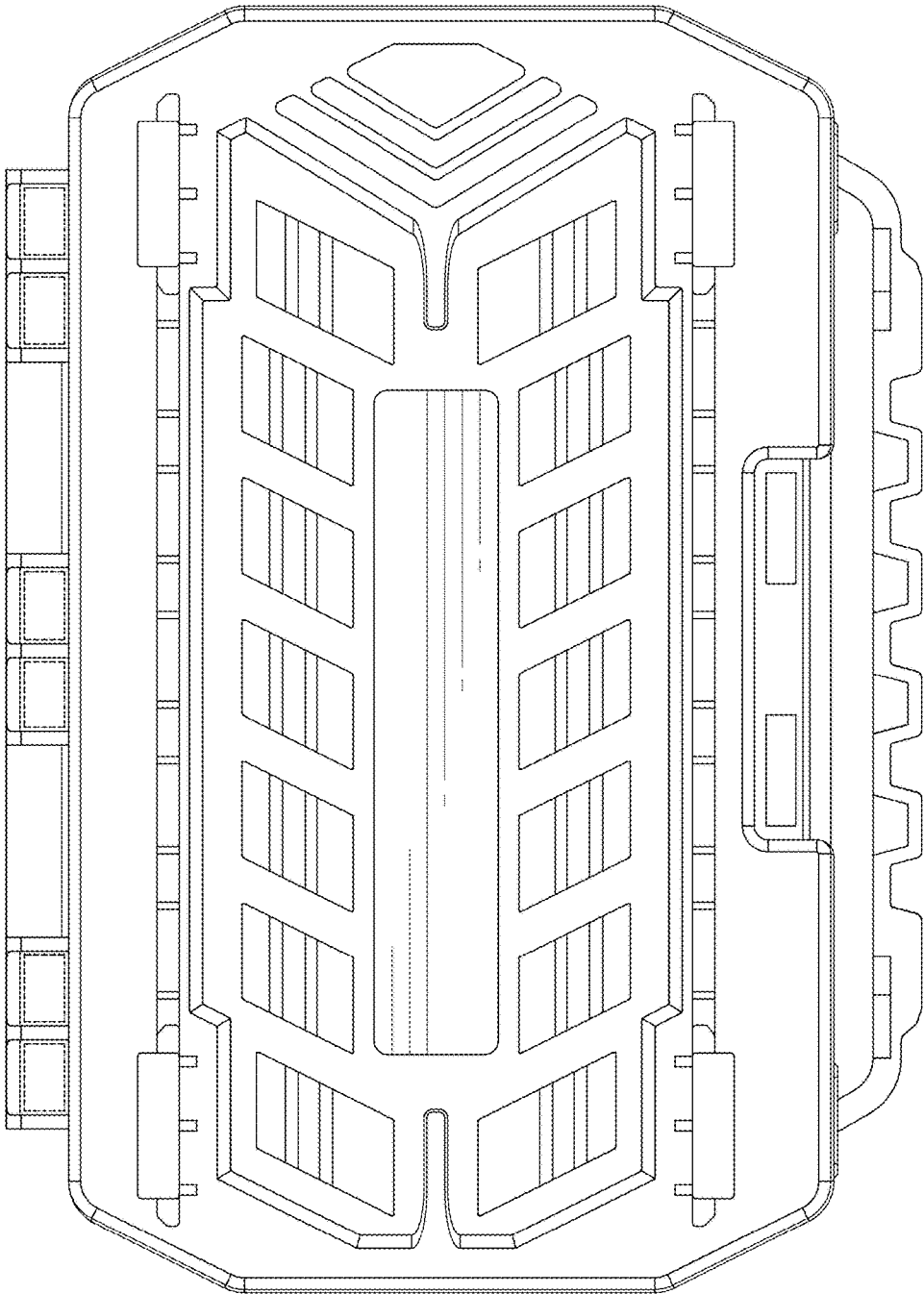


FIG.6

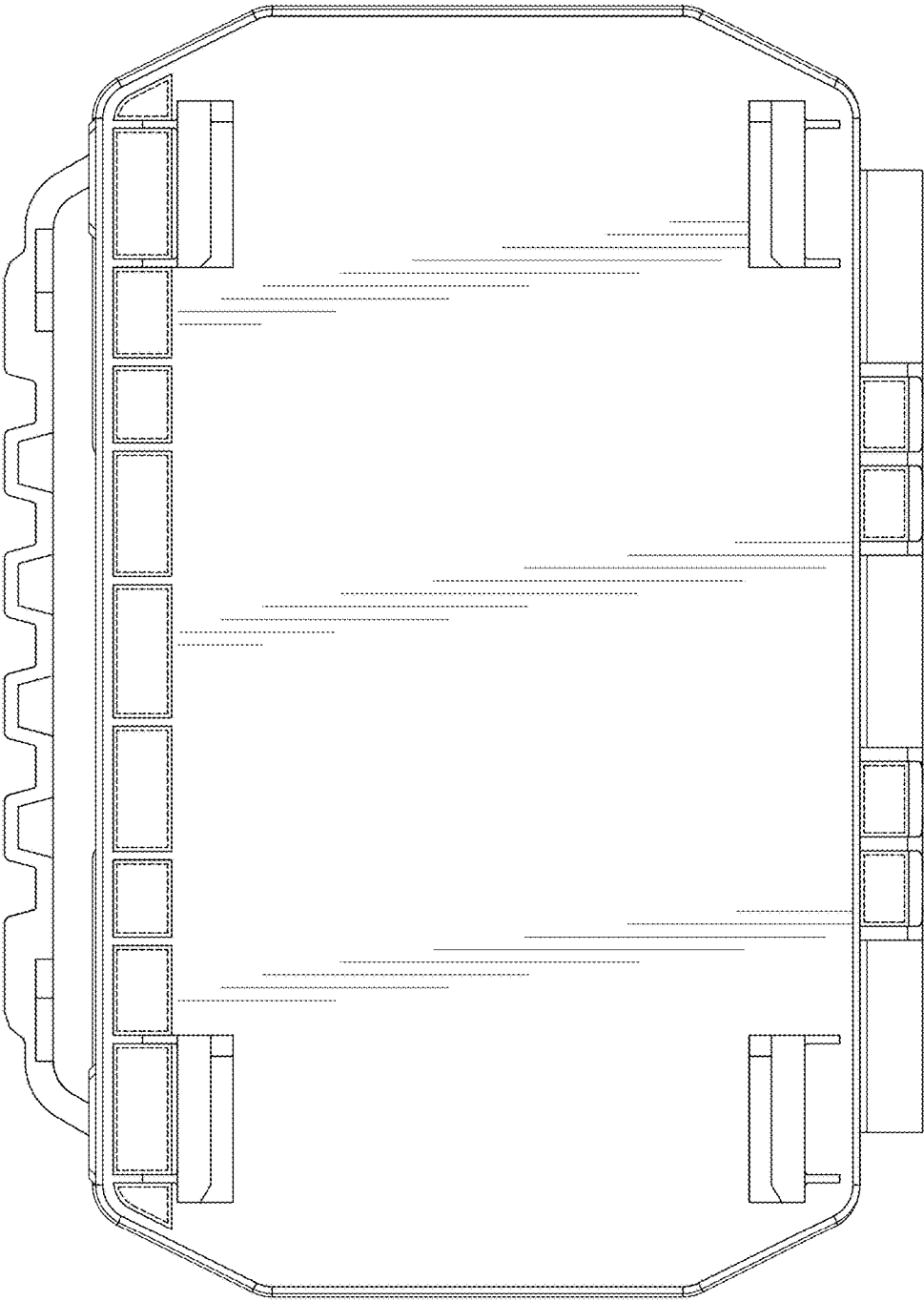


FIG.7

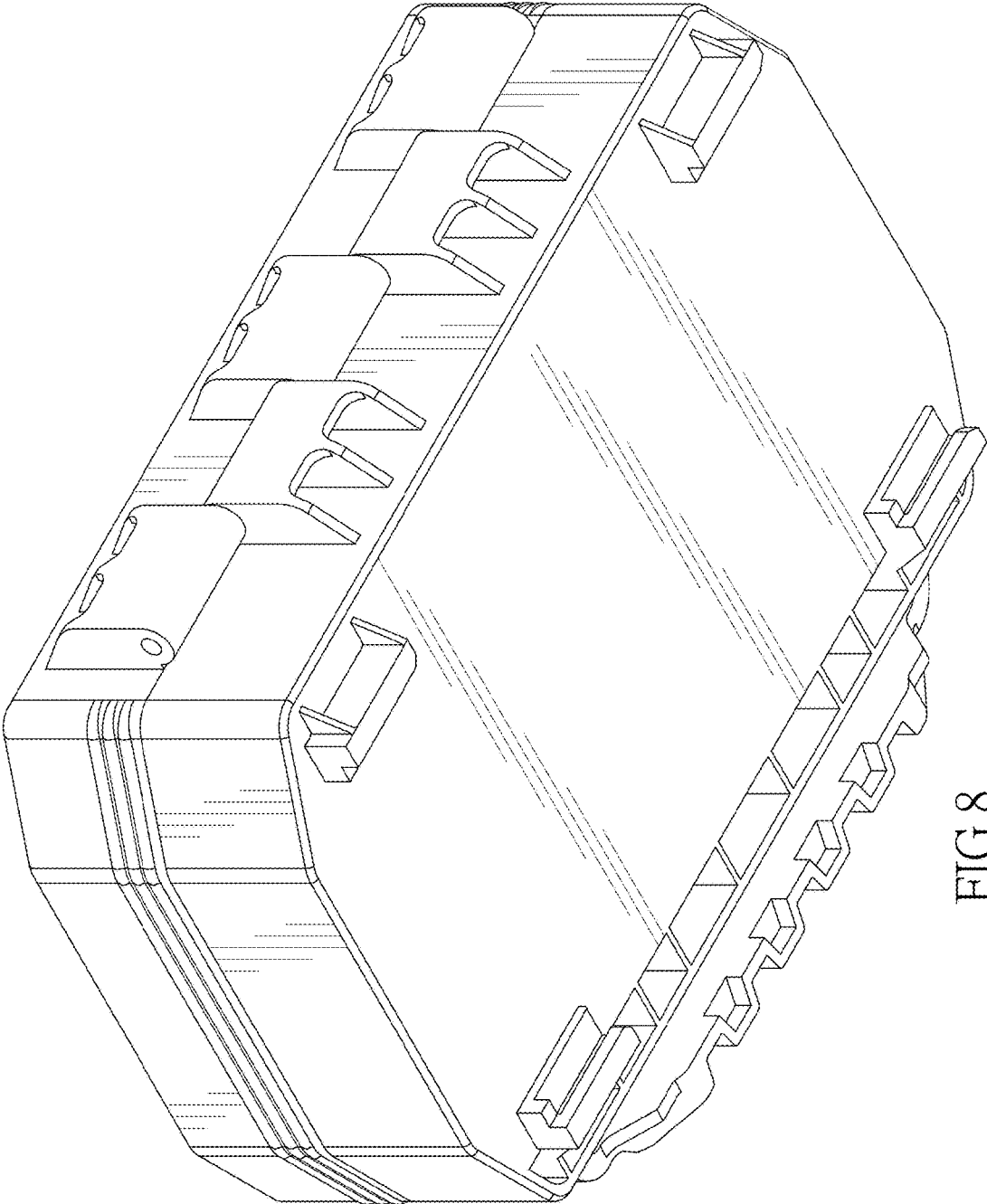


FIG.8