



US00D767334S

(12) **United States Design Patent**
Pan

(10) **Patent No.:** **US D767,334 S**

(45) **Date of Patent:** **** Sep. 27, 2016**

(54) **PERSONAL BLENDER CHAMBER**

(71) Applicant: **Guangshe Pan**, Brea, CA (US)

(72) Inventor: **Guangshe Pan**, Brea, CA (US)

(**) Term: **15 Years**

(21) Appl. No.: **29/539,287**

(22) Filed: **Sep. 11, 2015**

(51) **LOC (10) Cl.** **31-00**

(52) **U.S. Cl.**
USPC **D7/413; D7/376; D7/378; D7/386;**
D7/412

(58) **Field of Classification Search**
USPC D7/300.1, 372, 376–386, 396.2,
D7/412–413, 510, 602, 629, 665–666, 669,
D7/679, 693–694
CPC A21C 1/02; A21C 1/04; A23N 1/00;
A23N 1/02; A47G 19/22; A47J 43/04;
A47J 43/25; A47J 43/27; A47J 43/042;
A47J 43/044; A47J 43/046; A47J 46/075;
A47J 43/0722; A47J 43/0727; A47J 43/0766;
B01F 3/00; B01F 3/0807; B01F 3/0853;
B01F 13/0059; B01F 13/0064; B02C 1/08;
B02C 2/04; B02C 4/42; B02C 4/142; B02C
4/143; B02C 4/423; B02C 13/1835; B28C
5/10; B28C 5/12; B28C 5/14; B28C 5/16
See application file for complete search history.

(56) **References Cited**

U.S. PATENT DOCUMENTS

3,627,008 A * 12/1971 Samuelian A47J 43/0766
215/320
D532,255 S * 11/2006 Sands D7/396.2

D549,043 S * 8/2007 Beesley D7/374
D632,918 S * 2/2011 Gordon D7/300.1
D655,133 S * 3/2012 Brinckerhoff D7/376
D656,357 S * 3/2012 Enghard D7/300.1
D683,590 S * 6/2013 Austin D7/510
8,672,164 B2 * 3/2014 Honeyghan A47G 19/22
215/235
D734,988 S * 7/2015 Smith D7/376
D737,629 S * 9/2015 Sands D7/376
D739,674 S * 9/2015 Bergstrom D7/300.1
D751,344 S * 3/2016 Charlton D7/300.1
D760,026 S * 6/2016 Smith D7/376

* cited by examiner

Primary Examiner — Ricky Pham

(74) *Attorney, Agent, or Firm* — Tsz Lung Yeung

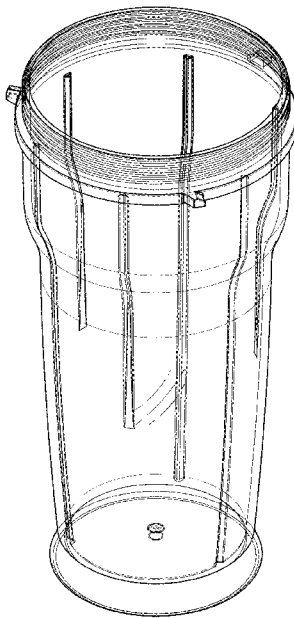
(57) **CLAIM**

The ornamental design for a personal blender chamber, substantially as shown and described.

DESCRIPTION

FIG. 1 is a perspective view of a personal blender chamber showing my new design.
FIG. 2 is a front end view thereof.
FIG. 3 is a rear end view thereof.
FIG. 4 is a left side view thereof.
FIG. 5 is a right side view thereof.
FIG. 6 is a top view thereof; and,
FIG. 7 is a bottom view thereof.
The personal blender chamber is transparent and is arranged for connecting to a blender through a blender connector and can be used directly for drinking.

1 Claim, 7 Drawing Sheets



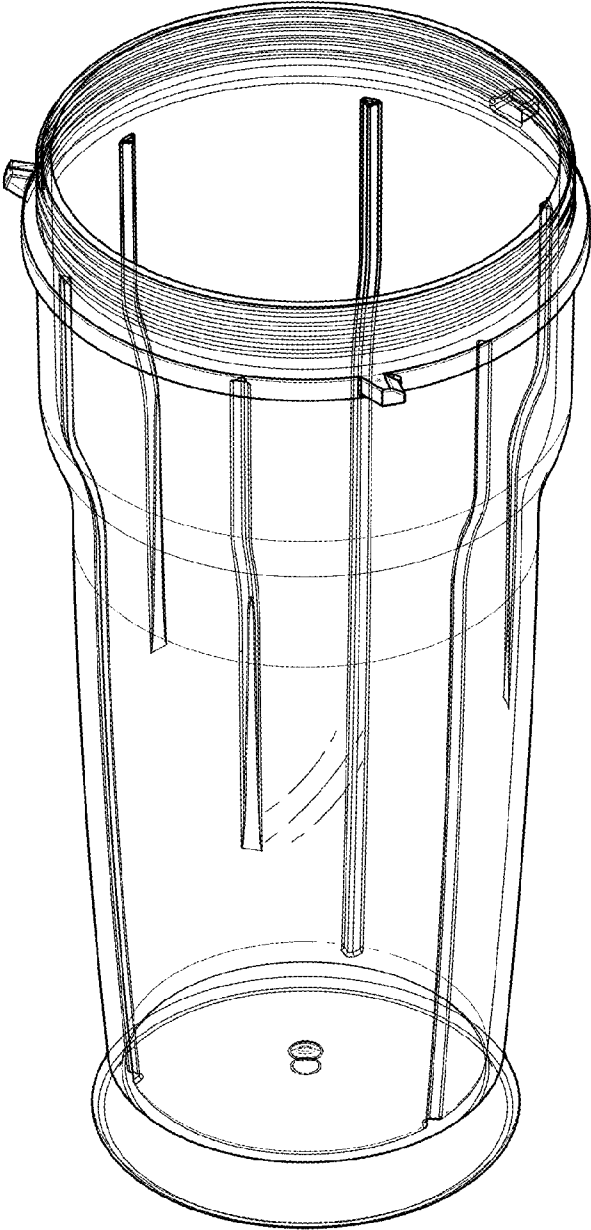


FIG.1

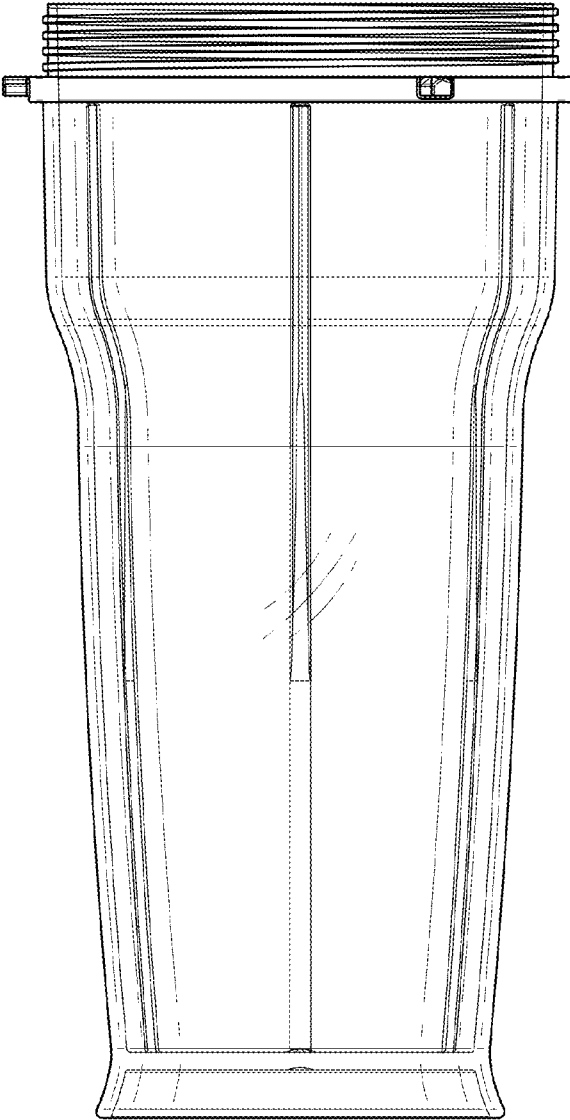


FIG.2

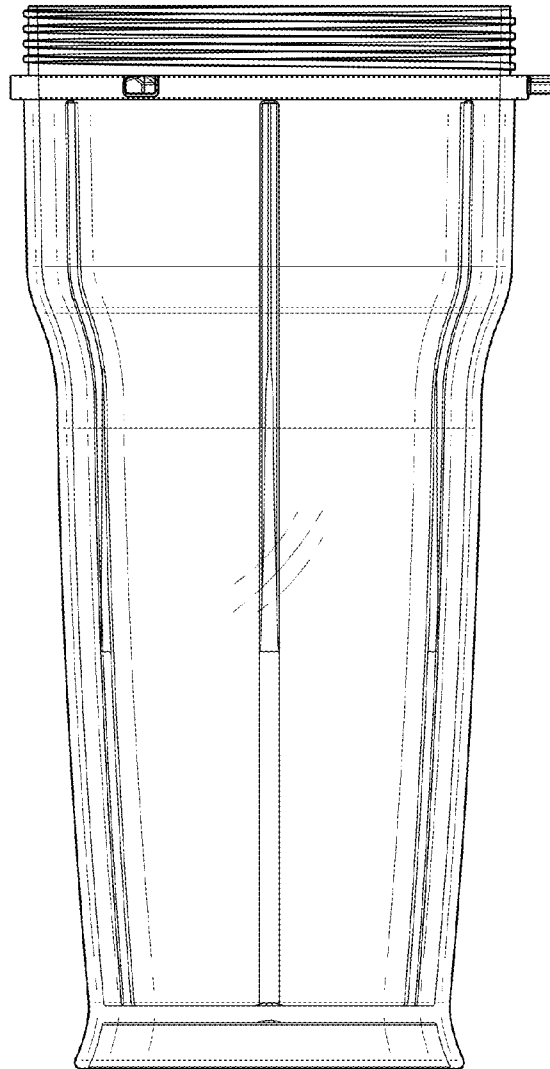


FIG.3

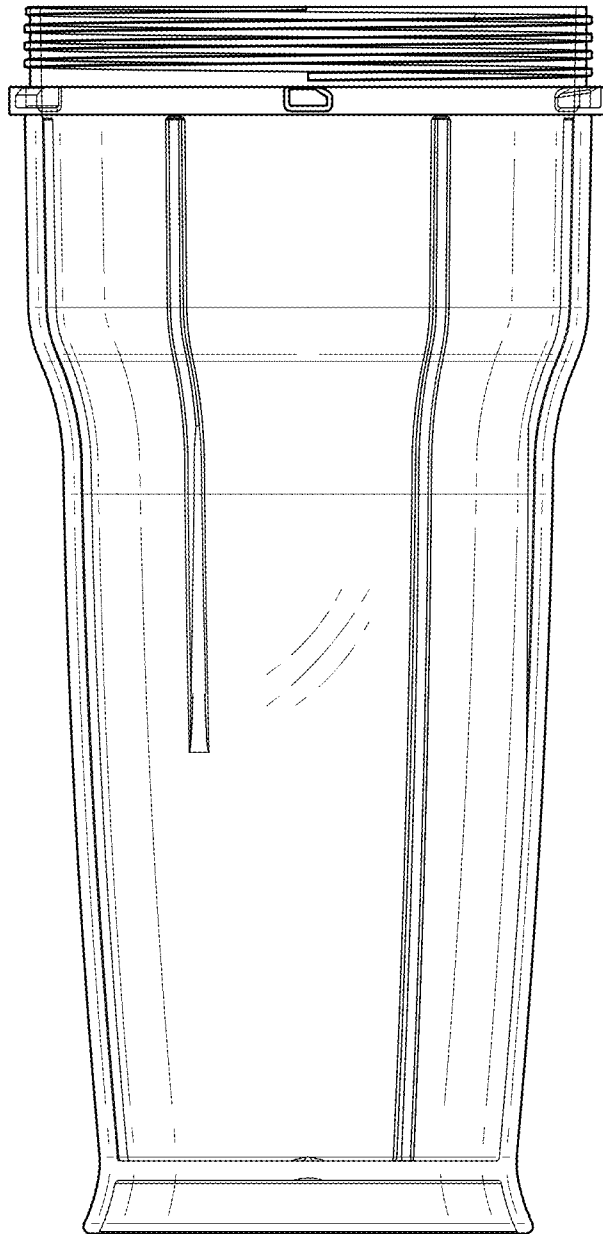


FIG.4

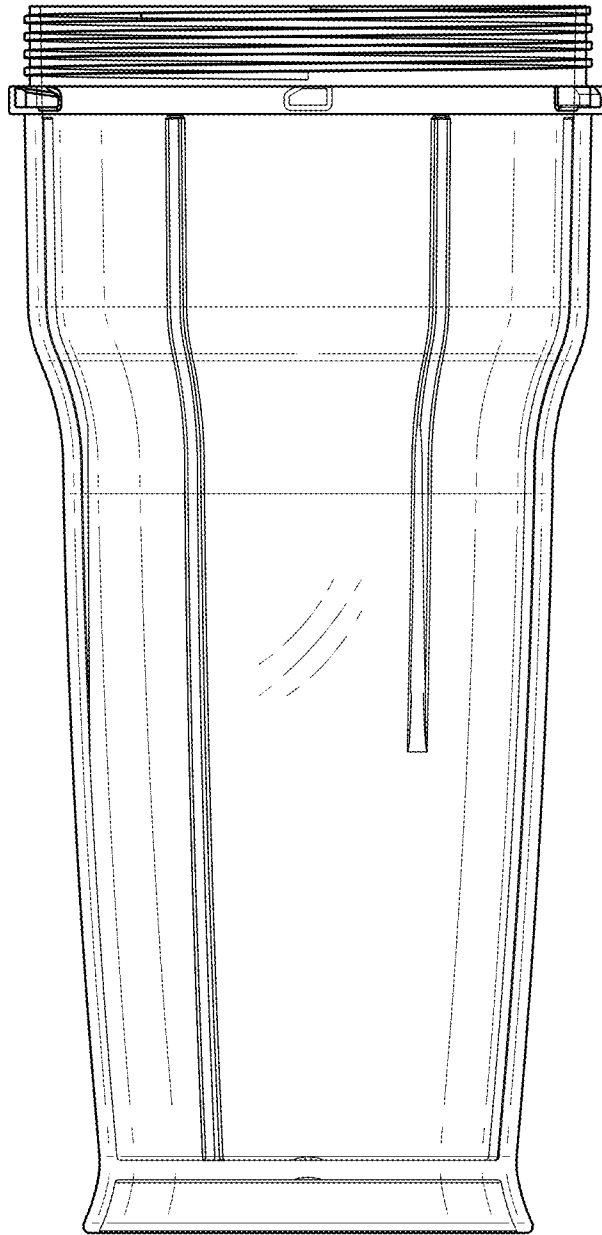


FIG.5

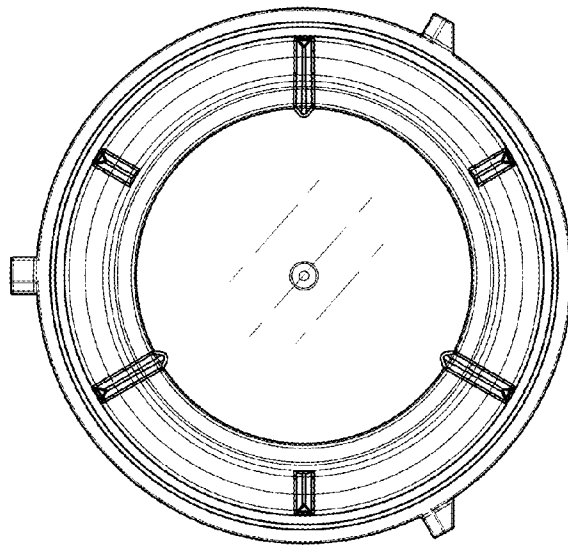


FIG.6

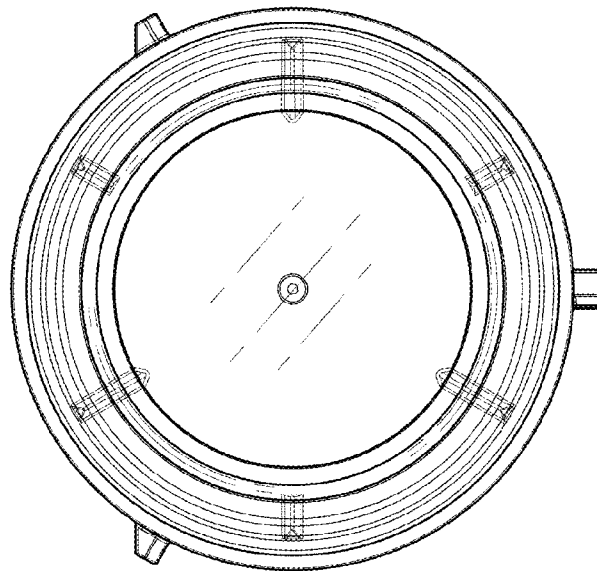


FIG.7