



US00D711587S

(12) **United States Design Patent**  
**Comte**

(10) **Patent No.:** **US D711,587 S**

(45) **Date of Patent:** **\*\* Aug. 19, 2014**

(54) **LIGHTING SUPPORTING ARM**

(71) Applicant: **Maquet SAS**, Ardon (FR)

(72) Inventor: **Lionel Comte**, La Chapelle Saint Mesmin (FR)

(73) Assignee: **Maquet SAS**, Ardon (FR)

(\*\*) Term: **14 Years**

(21) Appl. No.: **29/459,318**

(22) Filed: **Jun. 28, 2013**

(30) **Foreign Application Priority Data**

Feb. 4, 2013 (EM) ..... 002178020-0001

(51) **LOC (10) Cl.** ..... **26-99**

(52) **U.S. Cl.**  
USPC ..... **D26/155**

(58) **Field of Classification Search**

CPC ..... F21V 21/02; F21V 21/08; F21V 21/10;  
F21V 21/108; F21V 21/116; F21V 21/26;  
F21V 21/29; F21V 23/002; H01K 1/18;  
H01K 1/42; H01K 1/46

USPC ..... D26/23, 34, 38, 39, 44, 61, 62, 63, 67,  
D26/73, 93, 94, 96, 98, 113, 138, 140, 152,  
D26/154, 155; 362/12, 18, 96, 124, 183,  
362/269, 410, 411, 412, 413, 414, 418, 419,  
362/427, 431

See application file for complete search history.

(56) **References Cited**

**U.S. PATENT DOCUMENTS**

D80,511 S \* 2/1930 Crucet ..... D26/140  
D149,744 S \* 5/1948 Greppin et al. .... D26/140  
D157,204 S \* 2/1950 Pieper ..... D26/138  
D314,246 S \* 1/1991 Bache ..... D26/62

D377,840 S \* 2/1997 Chang ..... D26/62  
D482,481 S \* 11/2003 Landefeld ..... D26/67  
D504,535 S \* 4/2005 Shiu ..... D26/62  
D505,741 S \* 5/2005 Avery et al. .... D26/62  
D531,339 S \* 10/2006 Lee et al. .... D26/60  
D621,537 S \* 8/2010 Borovicka et al. .... D26/43  
D657,489 S \* 4/2012 Johnstone ..... D26/138  
D673,710 S \* 1/2013 Eichelberger ..... D26/62  
D698,962 S \* 2/2014 Waldmann ..... D26/51  
2011/0216525 A1 \* 9/2011 Talala ..... 362/96  
2011/0232932 A1 \* 9/2011 Bantle et al. .... 362/183

\* cited by examiner

*Primary Examiner* — Deanna L Pratt

*Assistant Examiner* — Natasha Vujcic

(74) *Attorney, Agent, or Firm* — Ware, Fressola, Maguire & Barber LLP

(57) **CLAIM**

I claim the ornamental design of a lighting supporting arm, as shown and described.

**DESCRIPTION**

FIG. 1 is a front view of the lighting supporting arm of the invention;

FIG. 2 is a top plan view of the lighting supporting arm of the invention;

FIG. 3 is a bottom plan view of the lighting supporting arm of the invention;

FIG. 4 is a left side view of the lighting supporting arm of the invention;

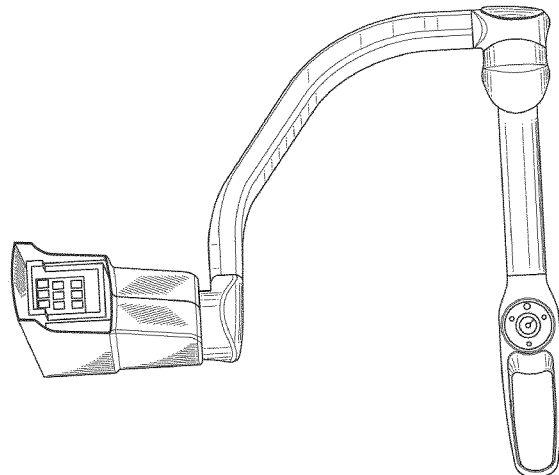
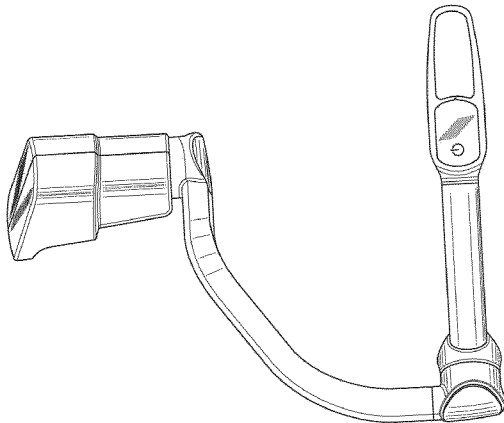
FIG. 5 is a right side view of the lighting supporting arm of the invention;

FIG. 6 is a top perspective view of the lighting supporting arm of the invention; and,

FIG. 7 is a rear view of the lighting supporting arm of the invention.

Surface shading is provided to show the character and/or contour of the surfaces represented.

**1 Claim, 7 Drawing Sheets**



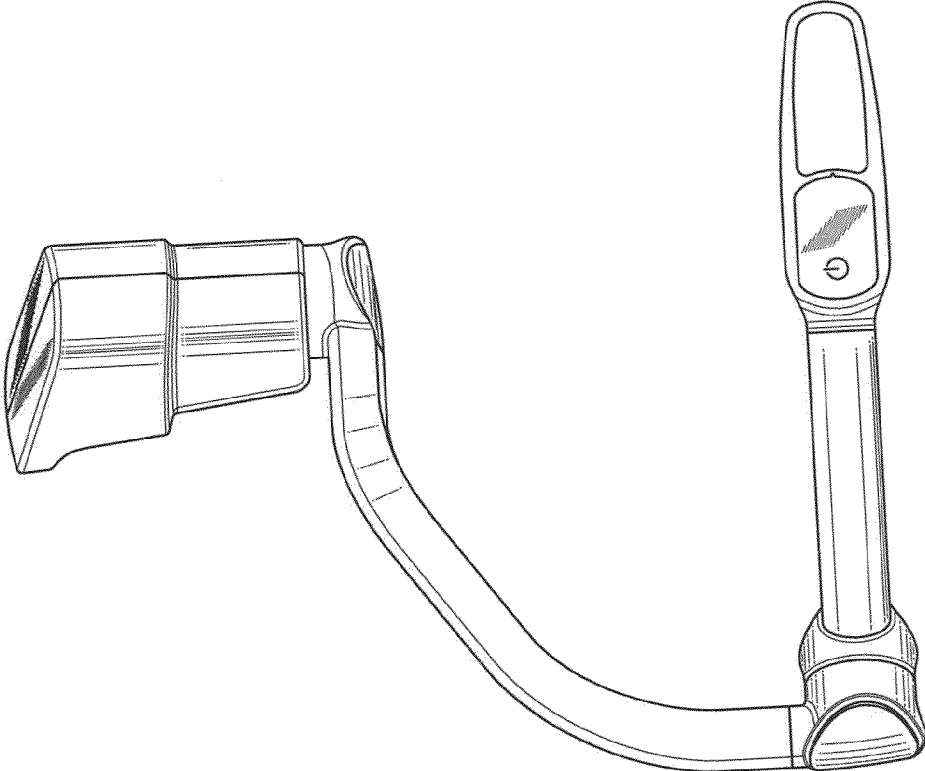


FIG. 1

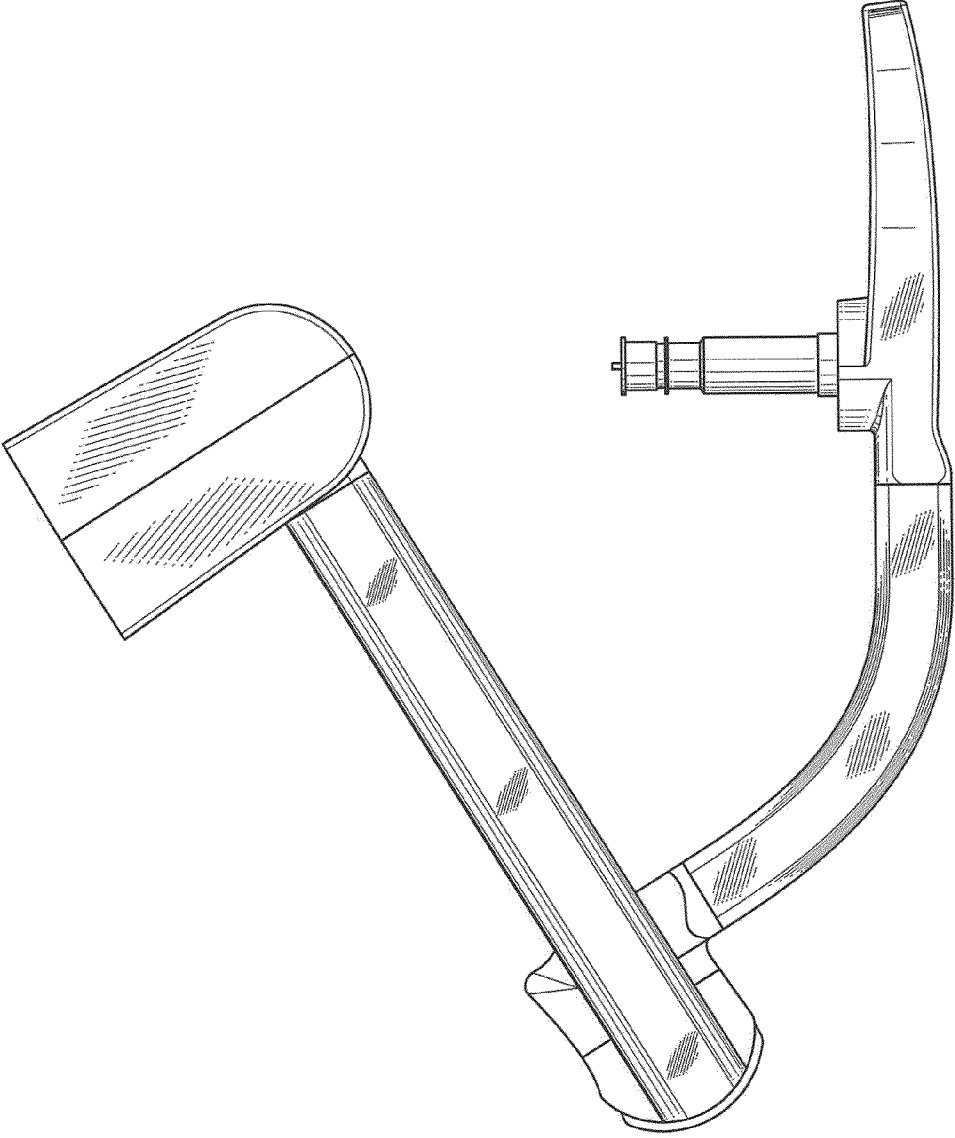


FIG. 2

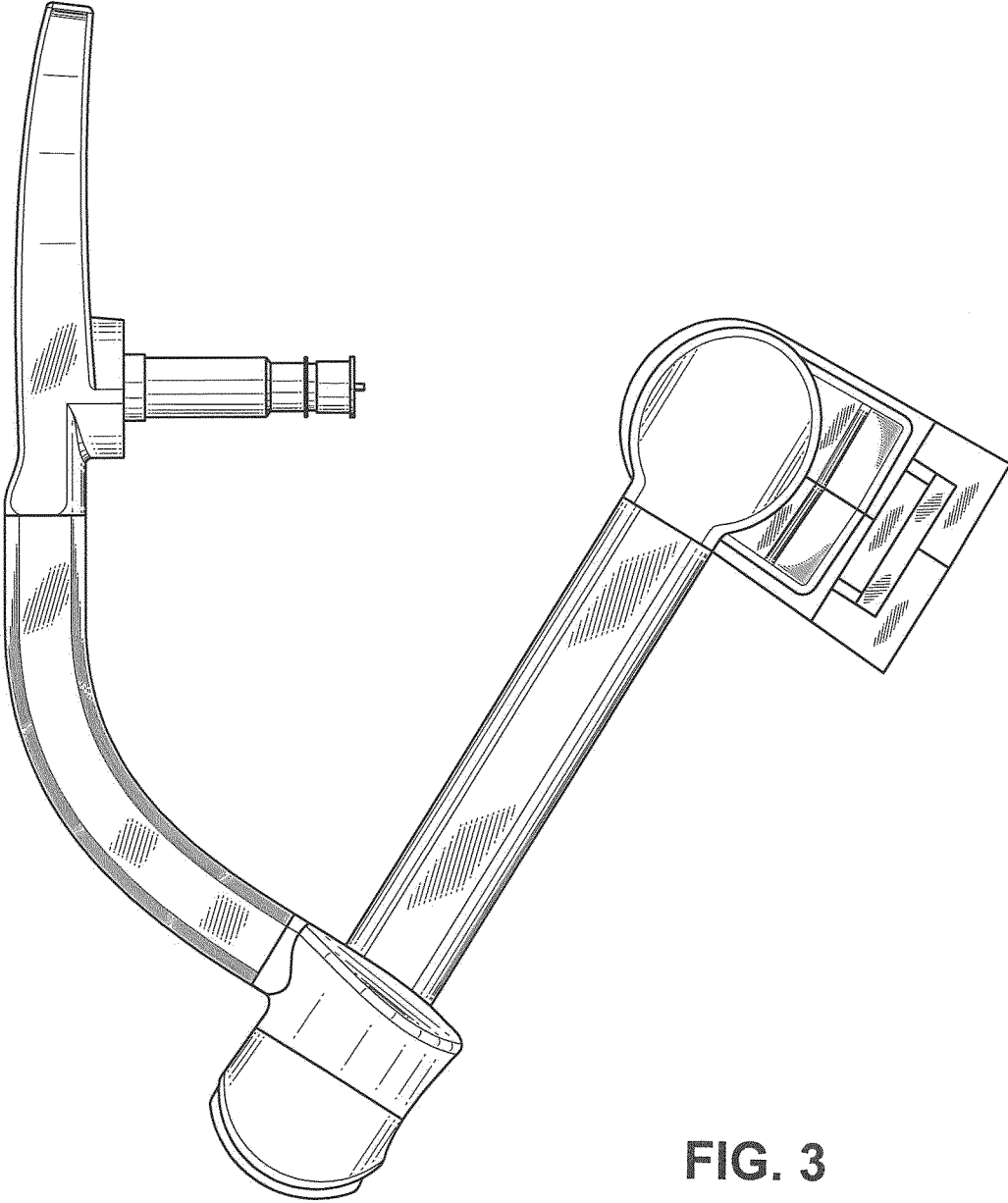


FIG. 3

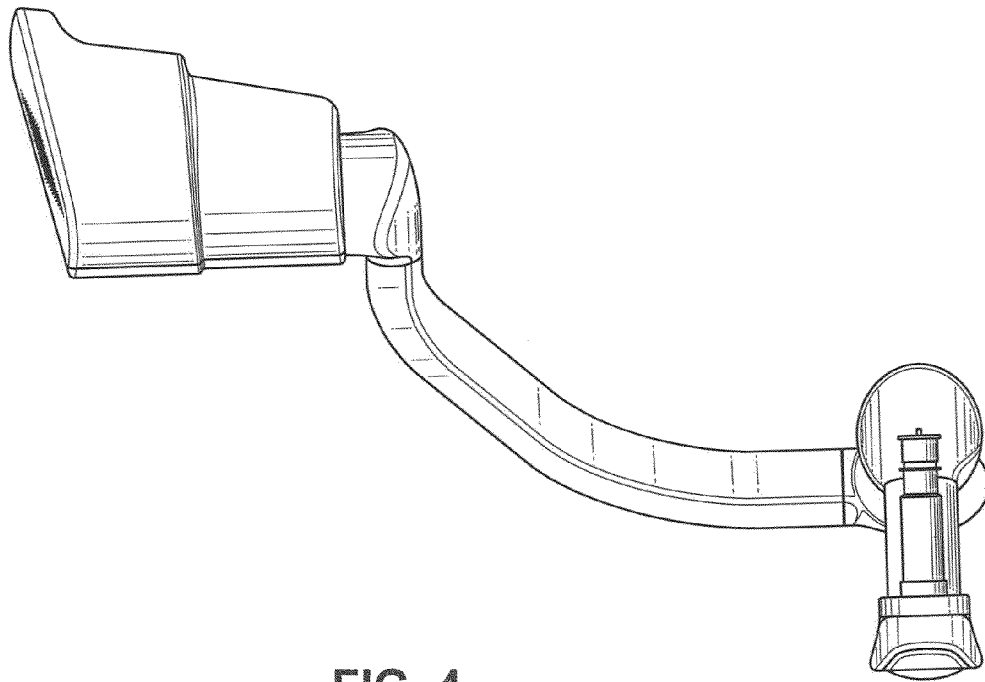


FIG. 4

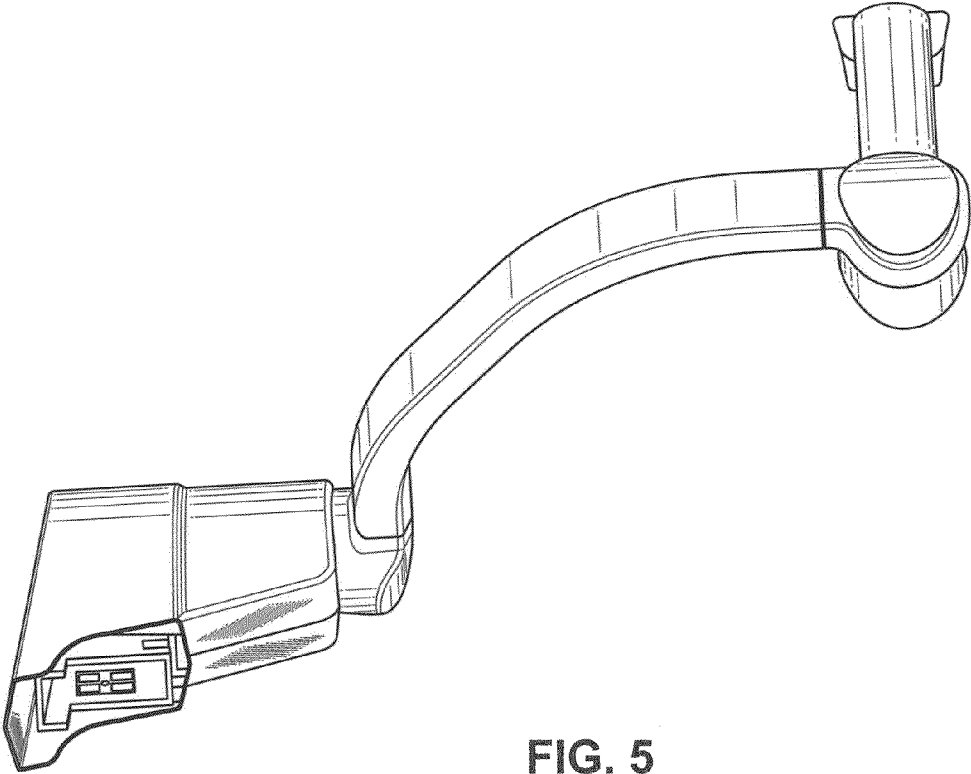


FIG. 5

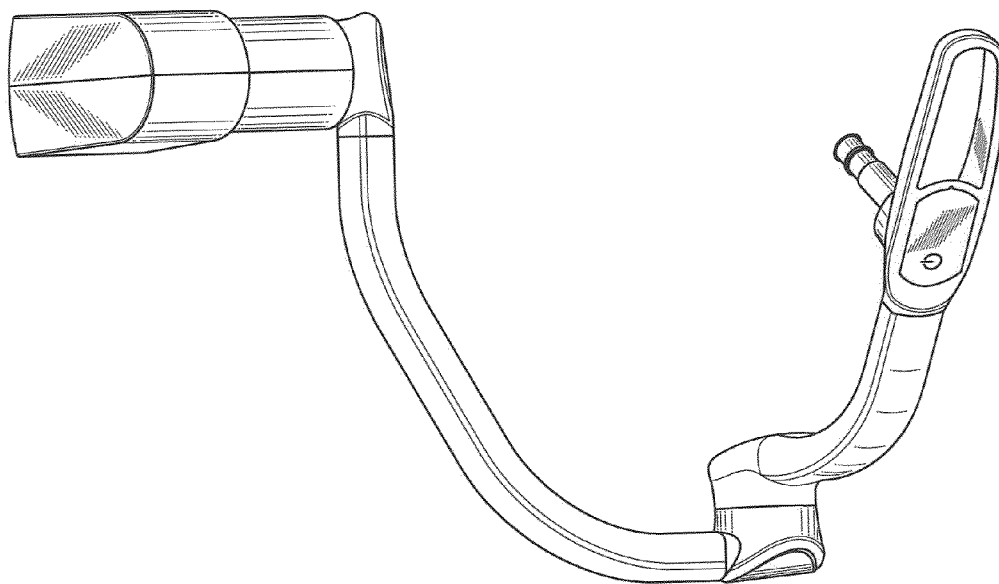


FIG. 6

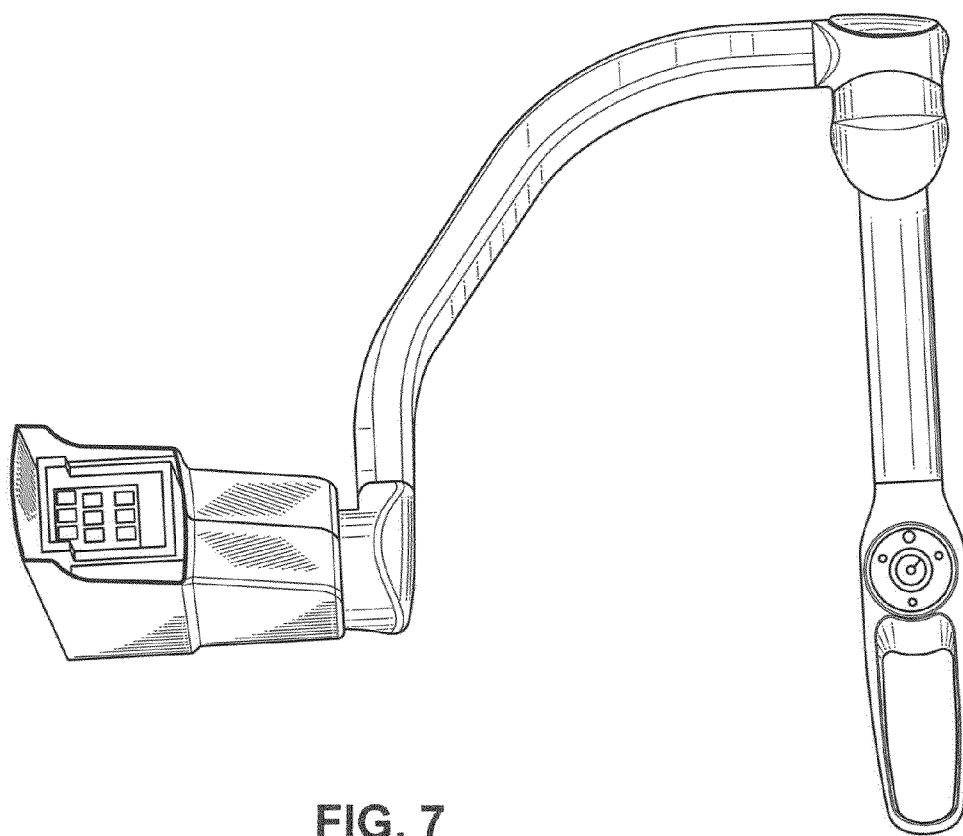


FIG. 7