



- (51) International Patent Classification:
F02C 7/00 (2006.01) F01D 25/24 (2006.01)
F02C 7/20 (2006.01)
- (21) International Application Number:
PCT/US2014/034870
- (22) International Filing Date:
22 April 2014 (22.04.2014)
- (25) Filing Language: English
- (26) Publication Language: English
- (30) Priority Data:
61/844,090 9 July 2013 (09.07.2013) US
- (71) Applicant: UNITED TECHNOLOGIES CORPORATION [US/US]; One Financial Plaza, Hartford, CT 06101 (US).
- (72) Inventors: RONAN, Michael; 122 Cornell Circle, East Hartford, CT 06108 (US). PAPA, Federico; 67 Ridgeview Drive, Ellington, CT 06029 (US). EVETTS, Joseph, D.; 400 Main Street, Mail Stop 163-11, East Hartford, CT 06108 (US).

- (74) Agent: MILLER, Thomas, A.; Miller, Matthias & Hull LLP, One North Franklin, Suite 2350, Chicago, IL 60606 (US).
- (81) Designated States (unless otherwise indicated, for every kind of national protection available): AE, AG, AL, AM, AO, AT, AU, AZ, BA, BB, BG, BH, BN, BR, BW, BY, BZ, CA, CH, CL, CN, CO, CR, CU, CZ, DE, DK, DM, DO, DZ, EC, EE, EG, ES, FI, GB, GD, GE, GH, GM, GT, HN, HR, HU, ID, IL, IN, IR, IS, JP, KE, KG, KN, KP, KR, KZ, LA, LC, LK, LR, LS, LT, LU, LY, MA, MD, ME, MG, MK, MN, MW, MX, MY, MZ, NA, NG, NI, NO, NZ, OM, PA, PE, PG, PH, PL, PT, QA, RO, RS, RU, RW, SA, SC, SD, SE, SG, SK, SL, SM, ST, SV, SY, TH, TJ, TM, TN, TR, TT, TZ, UA, UG, US, UZ, VC, VN, ZA, ZM, ZW.
- (84) Designated States (unless otherwise indicated, for every kind of regional protection available): ARIPO (BW, GH, GM, KE, LR, LS, MW, MZ, NA, RW, SD, SL, SZ, TZ, UG, ZM, ZW), Eurasian (AM, AZ, BY, KG, KZ, RU, TJ, TM), European (AL, AT, BE, BG, CH, CY, CZ, DE, DK, EE, ES, FI, FR, GB, GR, HR, HU, IE, IS, IT, LT, LU, LV, MC, MK, MT, NL, NO, PL, PT, RO, RS, SE, SI, SK, SM,

[Continued on next page]

(54) Title: PRELOADED AFT VENT AREA FOR LOW PRESSURE FAN DUCTS

(57) Abstract: A core compartment aft vent is disclosed. The core compartment aft vent may include a flexible core engine cowl surrounding a core engine case. A plurality of circumferentially spaced bumpers may be disposed within the aft vent and in operative contact with the flexible core engine cowl.

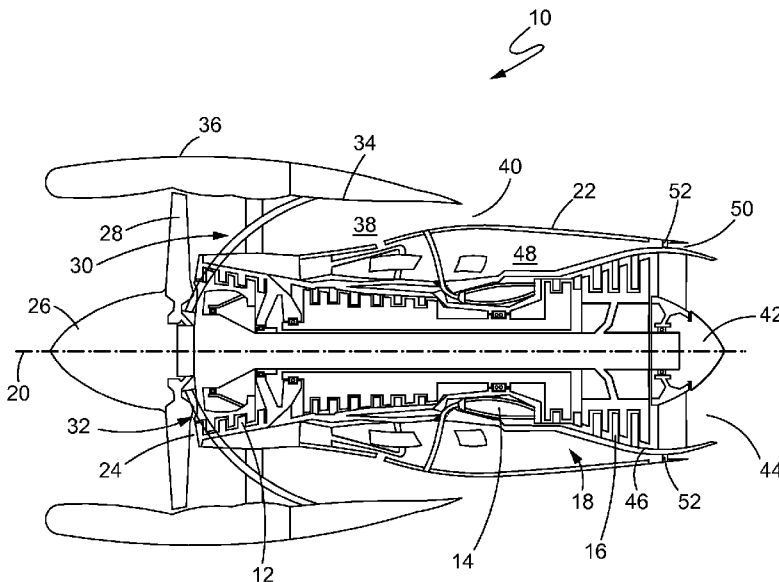


FIG. 1

WO 2015/012909 A3



TR), OAPI (BF, BJ, CF, CG, CI, CM, GA, GN, GQ, GW, KM, ML, MR, NE, SN, TD, TG).

— *before the expiration of the time limit for amending the claims and to be republished in the event of receipt of amendments (Rule 48.2(h))*

Published:

— *with international search report (Art. 21(3))*

(88) Date of publication of the international search report:

16 April 2015

INTERNATIONAL SEARCH REPORT

International application No.
PCT/US2014/034870**A. CLASSIFICATION OF SUBJECT MATTER****F02C 7/00(2006.01)i, F02C 7/20(2006.01)i, F01D 25/24(2006.01)i**

According to International Patent Classification (IPC) or to both national classification and IPC

B. FIELDS SEARCHEDMinimum documentation searched (classification system followed by classification symbols)
F02C 7/00; B64D 29/06; F02C 7/20; F02K 1/38; F02K 3/02; B64D 33/02; F01D 25/08; F01D 25/24Documentation searched other than minimum documentation to the extent that such documents are included in the fields searched
Korean utility models and applications for utility models
Japanese utility models and applications for utility modelsElectronic data base consulted during the international search (name of data base and, where practicable, search terms used)
eKOMPASS(KIPO internal) & Keywords: gas turbine engine, core compartment, vent, cowl and bumper**C. DOCUMENTS CONSIDERED TO BE RELEVANT**

Category*	Citation of document, with indication, where appropriate, of the relevant passages	Relevant to claim No.
X	US 2010-0024435 A1 (VAUCHEL, GUY BERNARD) 04 February 2010 See abstract, paragraphs [0032],[0038],[0040] and figures 1,3,8.	1-20
A	US 5971000 A (KONCSEK et al.) 26 October 1999 See column 6, lines 1-7, column 12, lines 22-30 and figure 2.	1-20
A	US 5433070 A (AMELIO, ARMAND F.) 18 July 1995 See column 4, lines 20-68 and figures 2-3.	1-20
A	US 2011-0036068 A1 (LEFEBVRE et al.) 17 February 2011 See paragraphs [0020]-[0024] and figures 2,5.	1-20
A	US 2011-0138819 A1 (TANIMURA, KAZUHIKO) 16 June 2011 See paragraph [0039] and figure 4.	1-20

 Further documents are listed in the continuation of Box C. See patent family annex.

* Special categories of cited documents:

"A" document defining the general state of the art which is not considered to be of particular relevance

"E" earlier application or patent but published on or after the international filing date

"L" document which may throw doubts on priority claim(s) or which is cited to establish the publication date of another citation or other special reason (as specified)

"O" document referring to an oral disclosure, use, exhibition or other means

"P" document published prior to the international filing date but later than the priority date claimed

"T" later document published after the international filing date or priority date and not in conflict with the application but cited to understand the principle or theory underlying the invention

"X" document of particular relevance; the claimed invention cannot be considered novel or cannot be considered to involve an inventive step when the document is taken alone

"Y" document of particular relevance; the claimed invention cannot be considered to involve an inventive step when the document is combined with one or more other such documents, such combination being obvious to a person skilled in the art

"&" document member of the same patent family

Date of the actual completion of the international search

11 February 2015 (11.02.2015)

Date of mailing of the international search report

12 February 2015 (12.02.2015)

Name and mailing address of the ISA/KR

International Application Division
Korean Intellectual Property Office
189 Cheongsu-ro, Seo-gu, Daejeon Metropolitan City, 302-701,
Republic of Korea

Facsimile No. ++82 42 472 3473

Authorized officer

LEE, Hun Gil

Telephone No. +82-42-481-8525



INTERNATIONAL SEARCH REPORT

Information on patent family members

International application No.

PCT/US2014/034870

Patent document cited in search report	Publication date	Patent family member(s)	Publication date
US 2010-0024435 A1	04/02/2010	AT 473164 T	15/07/2010
		BR P10720298 A2	04/02/2014
		CA 2671556 A1	07/08/2008
		CN 101541635 A	23/09/2009
		CN 101541635 B	02/05/2012
		DE 602007007669 D1	19/08/2010
		EP 2102061 A1	23/09/2009
		EP 2102061 B1	07/07/2010
		ES 2347923 T3	25/11/2010
		FR 2909974 A1	20/06/2008
		FR 2909974 B1	06/02/2009
		RU 2009125710 A	20/01/2011
		RU 2440280 C2	20/01/2012
		US 8668441 B2	11/03/2014
		WO 2008-093003 A1	07/08/2008
		WO 2008-093003 A8	09/10/2008
		US 5971000 A	26/10/1999
EP 0799982 A3	18/08/1999		
EP 0799982 B1	09/03/2005		
US 5881758 A	16/03/1999		
US 5433070 A	18/07/1995	None	
US 2011-0036068 A1	17/02/2011	CA 2713316 A1	17/02/2011
		CA 2713317 A1	17/02/2011
		US 2011-0038706 A1	17/02/2011
		US 2014-0230404 A1	21/08/2014
		US 8734085 B2	27/05/2014
		US 8739513 B2	03/06/2014
US 2011-0138819 A1	16/06/2011	EP 2336524 A2	22/06/2011
		EP 2336524 A3	05/10/2011
		JP 04958967 B2	20/06/2012
		JP 2011-127447 A	30/06/2011
		US 8893509 B2	25/11/2014