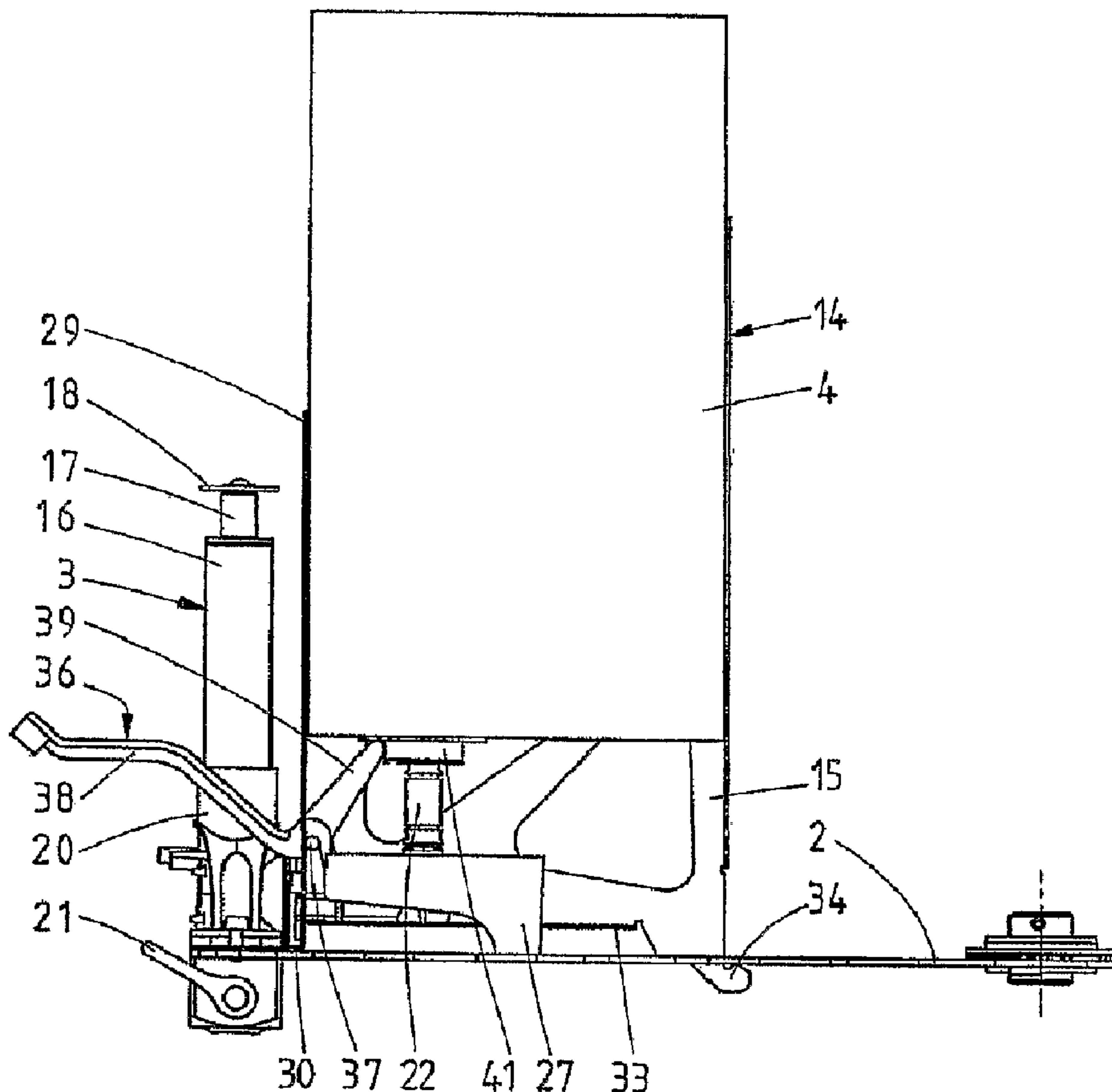




(86) Date de dépôt PCT/PCT Filing Date: 2004/10/26
 (87) Date publication PCT/PCT Publication Date: 2005/05/06
 (45) Date de délivrance/Issue Date: 2012/07/24
 (85) Entrée phase nationale/National Entry: 2006/04/26
 (86) N° demande PCT/PCT Application No.: EP 2004/052664
 (87) N° publication PCT/PCT Publication No.: 2005/039747
 (30) Priorité/Priority: 2003/10/27 (US10/694,485)

(51) Cl.Int./Int.Cl. *B01F 13/10* (2006.01)
 (72) Inventeurs/Inventors:
 ENGELS, MARCEL HENDRIKUS PETRUS, NL;
 PEETERS, BASTIAAN ALBERT SIMON, NL;
 PAPAICONOMOU, CONSTANTIJN THOMAS, NL
 (73) Propriétaire/Owner:
 FLUID MANAGEMENT, INC., US
 (74) Agent: SIM & MCBURNEY

(54) Titre : APPAREIL DE DISTRIBUTION D'UNE PLURALITE DE FLUIDES ET CONTENANT DESTINE A ETRE
 UTILISE DANS LEDIT APPAREIL
 (54) Title: APPARATUS FOR DISPENSING A PLURALITY OF FLUIDS AND CONTAINER FOR USE IN THE SAME



(57) Abrégé/Abstract:

An apparatus for dispensing a plurality of fluids, comprising a plurality of pumps (3), having a connector (22) for releasably connecting, to the respective pump (3), a container (4), which holds a fluid and comprises a connector-counterpart (41), and at



(57) **Abrégé(suite)/Abstract(continued):**

least one actuator (36) for releasing a container from a connector, which the actuator is adapted to operatively engage the connector-counterpart and, upon engaging this counterpart, pull the same onto the connector and establish a fluid connection between the respective pump (3) and the container (4).

(12) INTERNATIONAL APPLICATION PUBLISHED UNDER THE PATENT COOPERATION TREATY (PCT)

(19) World Intellectual Property
Organization
International Bureau



(43) International Publication Date
6 May 2005 (06.05.2005)

PCT

(10) International Publication Number
WO 2005/039747 A3

(51) International Patent Classification⁷: **B01F 13/10**

HAAG (NL). PAPAICONOMOU, Constantijn, Thomas
[NL/NL]; Veenkade 140, NL-2513 EL DEN HAAG (NL).

(21) International Application Number:

PCT/EP2004/052664

(74) Agents: AALBERS, Arnt, Reinier et al.; De Vries & Metman, Overschiestraat 180, NL-1062 XK AMSTERDAM (NL).

(22) International Filing Date: 26 October 2004 (26.10.2004)

(25) Filing Language: English

(26) Publication Language: English

(30) Priority Data:

10/694,485 27 October 2003 (27.10.2003) US

(71) Applicant (for all designated States except US): FLUID MANAGEMENT, INC. [US/US]; 1023 Wheeling Road, Wheeling, IL 60090-5776 (US).

(81) Designated States (unless otherwise indicated, for every kind of national protection available): AE, AG, AL, AM, AT, AU, AZ, BA, BB, BG, BR, BW, BY, BZ, CA, CH, CN, CO, CR, CU, CZ, DE, DK, DM, DZ, EC, EE, EG, ES, FI, GB, GD, GE, GH, GM, HR, HU, ID, IL, IN, IS, JP, KE, KG, KP, KR, KZ, LC, LK, LR, LS, LT, LU, LV, MA, MD, MG, MK, MN, MW, MX, MZ, NA, NI, NO, NZ, OM, PG, PH, PL, PT, RO, RU, SC, SD, SE, SG, SK, SL, SY, TJ, TM, TN, TR, TT, TZ, UA, UG, US, UZ, VC, VN, YU, ZA, ZM, ZW.

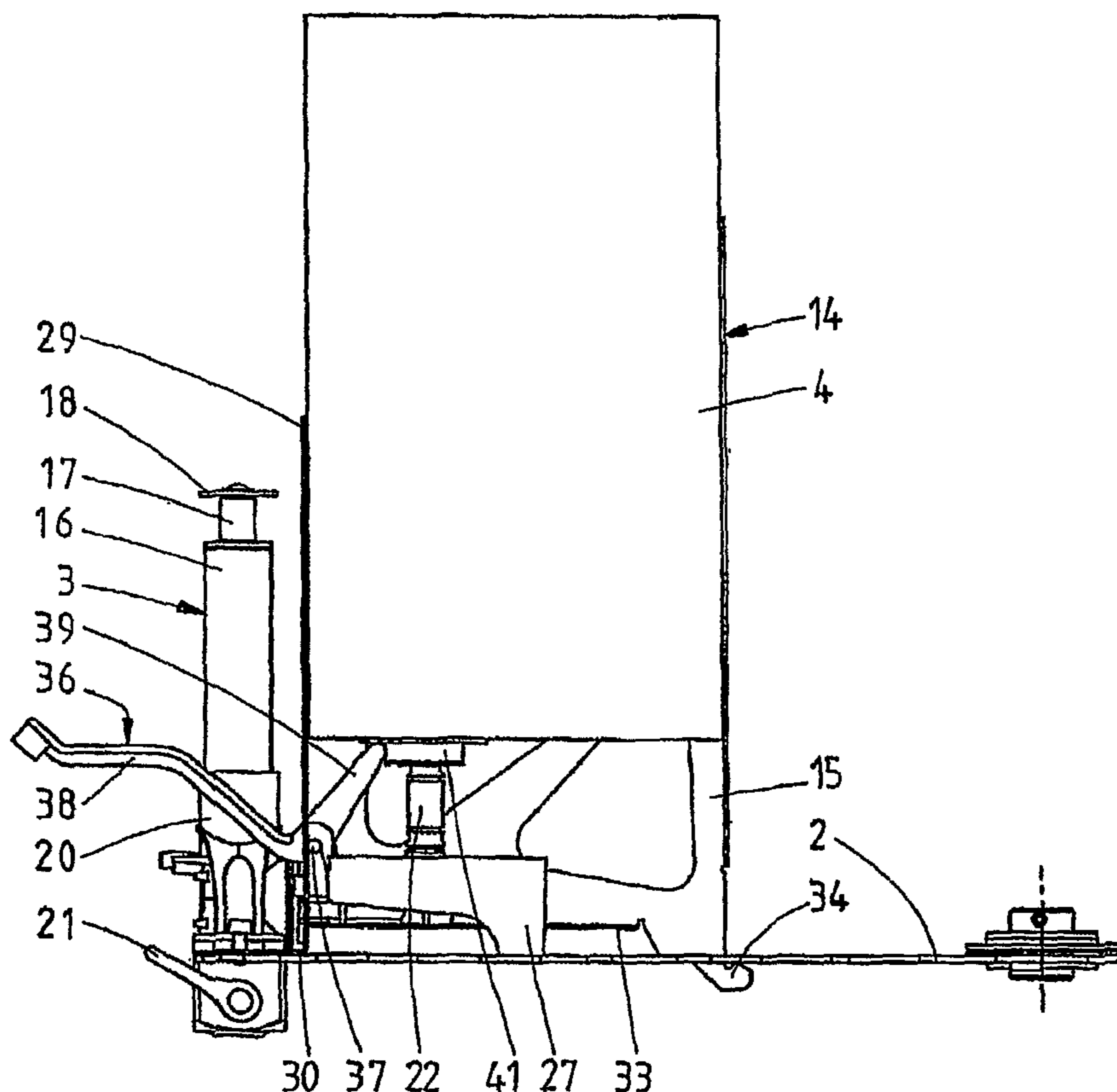
(72) Inventors; and

(75) Inventors/Applicants (for US only): ENGELS, Marcel, Hendrikus, Petrus [NL/NL]; Boekhorstlaan 9, NL-2215 AX VOORHOUT (NL). PEETERS, Bastiaan, Albert, Simon [NL/NL]; Rietzangerstraat 23, NL-2496 MK DEN

(84) Designated States (unless otherwise indicated, for every kind of regional protection available): ARIPO (BW, GH, GM, KE, LS, MW, MZ, NA, SD, SL, SZ, TZ, UG, ZM,

[Continued on next page]

(54) Title: APPARATUS FOR DISPENSING A PLURALITY OF FLUIDS AND CONTAINER FOR USE IN THE SAME



(57) Abstract: An apparatus for dispensing a plurality of fluids, comprising a plurality of pumps (3), having a connector (22) for releasably connecting, to the respective pump (3), a container (4), which holds a fluid and comprises a connector-counterpart (41), and at least one actuator (36) for releasing a container from a connector, which the actuator is adapted to operatively engage the connector-counterpart and, upon engaging this counterpart, pull the same onto the connector and establish a fluid connection between the respective pump (3) and the container (4).

WO 2005/039747 A3

WO 2005/039747 A3

ZW), Eurasian (AM, AZ, BY, KG, KZ, MD, RU, TJ, TM),
European (AT, BE, BG, CH, CY, CZ, DE, DK, EE, ES, FI,
FR, GB, GR, HU, IE, IT, LU, MC, NL, PL, PT, RO, SE, SI,
SK, TR), OAPI (BF, BJ, CF, CG, CI, CM, GA, GN, GQ,
GW, ML, MR, NE, SN, TD, TG).

For two-letter codes and other abbreviations, refer to the "Guidance Notes on Codes and Abbreviations" appearing at the beginning of each regular issue of the PCT Gazette.

Published:

— *with international search report*

(88) Date of publication of the international search report:

11 August 2005

APPARATUS FOR DISPENSING A PLURALITY OF FLUIDS AND
CONTAINER FOR USE IN THE SAME

BACKGROUND

Technical Field

The invention relates to an apparatus for dispensing a plurality of fluids, comprising a plurality of pumps
5 connected or connectable to respective containers holding a fluid or suitable for holding a fluid.

Background of the Related Art

A prior art apparatus of this type is disclosed in
10 European Patent Application No. 1 090 679. This document relates to an apparatus for dispensing viscous fluids comprising a turntable (numeral 2 in *inter alia* figures 10a to 10e) rotatable around an axis of rotation. A
15 plurality of containers (1) containing the fluid to be dispensed are attached to the turntable in positions spaced about the circumference of the turntable. A pump (17) is associated with each container for dispensing fluid therefrom. The pumps have connectors (6) for
20 releasably connecting the containers to the pumps. A stationary actuator (38) is positioned at the circumference of the turntable and is movable to and from a first inoperative position disengaged from the turntable, a first operative position in engagement with one of the connectors, in which the connector is
25 connected to the respective container, and a second operative position, in which the connector is disengaged from the container and the container may be removed and exchanged for another container.

European Patent Application No. 1 134 186 relates to
30 a dispensing device wherein the pumps each have a connector for releasably connecting a fluid package

thereto and have associated first positioning members. A plurality of removable rigid holders is adapted to receive a flexible fluid package therein in a predetermined position. The holders include second
5 positioning members adapted to co-act with the first positioning members to enable placement of the holders onto the turntable such that the package received therein is connected to the respective connector. A lifter (12) with a handle (13) is arranged about each of the first
10 positioning members, said lifter being able to exert an upward force onto the lower side of a mounted holder when the handle (13) is depressed.

U.S. Patent 5,083,591 relates to an automated paint-batching system for producing paint cans of any size and
15 color. The system includes a plurality of paint-batching cells, with each cell having a machine comprised of either one or two dispensing stations (16, 18). When two dispensing stations are used, the two dispensing stations are: a first tint-station (16), where a small volumetric
20 dispensing of the base, water-base or oil-base, of the paint is dispensed, in order to wet the bottom of the can, at which first station, thereafter, is dispensed all of the liquid colorants making up the formula of the paint can, and a second base-dispensing station (18) at
25 which the remainder of the base of the formula of the paint is dispensed. Each of the first and second stations of the paint-batching machine of the invention has operatively associated therewith a weighing mechanism (70) upon which rests the paint can during the dispensing
30 at the respective station used in quality-control weighing of each dispensing.

An aspect of the present invention provides a reliable apparatus for dispensing a plurality of fluids, wherein depleted containers can be easily and reliably
35 replaced by filled containers.

A further aspect of the present invention prevents or at least reduces leakage or dripping of the container

and, if such leakage or dripping does occur anyway, to contain the effects thereof.

A still further aspect of the present invention facilitates ready replacement of the pumps and/or of
5 components associated with the pumps.

A still further aspect of the present invention reduces the frequency with which certain containers have to be replaced or refilled.

10 **SUMMARY OF THE DISCLOSURE**

An apparatus for dispensing a plurality of fluids is disclosed that comprises a plurality of pumps, having a connector for releasably connecting, to the respective
15 pump, a container, which holds a fluid and comprises a connector-counterpart, and at least one actuator for releasing a container from a connector, which actuator is adapted to operatively engage the connector-counterpart and, upon engaging this counterpart, pull the same onto
20 the connector and establish a fluid connection between the respective pump and the container.

By engaging the connector-counterpart, containers can be reliably installed, even by personnel with limited training, and leakage or dripping can at least be
25 reduced.

It is preferred that at least some of the pumps, preferably all of the pumps, are associated with such an actuator. It is further preferred that the actuators comprise a lever mounted on a pivot axis associated with
30 a respective pump, which lever comprises an operating handle on one side of the pivot axis and at least one arm for operatively engaging the connector-counterpart on the other side of the pivot axis. If, upon establishing a fluid connection between the respective pump and the
35 container, the handle extends substantially parallel to the pump and/or the container, the handle takes up only little space.

An apparatus for dispensing a plurality of fluids is disclosed that comprises a plurality of volumetric metering pumps, connected to a container or having a connector for releasably connecting a container to the
5 respective pump, and a weighing device for measuring the weight of the fluid dispensed by the pumps.

It is preferred that the apparatus further comprises a device, e.g. a data processing device comprising a memory, for storing at least one parameter, preferably
10 dispensed volume or volume to be dispensed, indicative of the required accuracy of the weight measurement to be carried out and wherein the length of the time interval during which the weight measurements are carried out is selected depending on the stored parameter.

It is further preferred that the at least one
15 parameter is indicative of the amounts that have been dispensed by each of at least some, preferably all, of the pumps and/or from each of at least some, preferably all, of the containers.

An apparatus for dispensing a plurality of fluids is disclosed that comprises a plurality of pumps, connected to a container or having a connector for releasably
20 connecting a container to the respective pump, wherein a receptacle is positioned beneath and/or around at least some of the connectors and/or containers, preferably all of the connectors and/or containers, to collect fluid leaking or dripping from a respective connector and/or
25 container.

Thus, if, despite other measures, leakage or
30 dripping does occur, the resulting effects are contained. Such containment is significant both at a hairdresser or a beautician, who wants to keep respectively her/his salon or spa clean and tidy, and at a retailer of decorative paints or in an industrial environment, e.g.
35 involving car refinishes, where leakage or dripping necessitates frequent maintenance.

It is preferred that the lower wall of the receptacle or a portion of the lower wall is inclined and

that the lower wall comprises an opening for letting through collected fluid.

It is further preferred that a shared receptacle is positioned beneath the said receptacles to collect fluid dripping from these receptacles.

An apparatus for dispensing a plurality of fluids is disclosed that comprises a support, such as a turntable or a linear table, and a plurality of pumps, connected to a container or having a connector for releasably connecting a container to the respective pump, and, if the container is releasable, a guide for receiving and accommodating a container mounted on the support, wherein each combination of a pump, a connector, and a container or guide is formed as a module which, as a whole, is releasably mounted on the support.

Such a module facilitates ready replacement, reducing downtime and/or avoiding or reducing the necessity of on-the-spot repair or maintenance.

It is preferred that at least some of the modules, preferably all of the modules, comprise a front portion and a rear portion, the front portion comprising a releasable fastener and the rear portion comprising an extension or recess, whereas the support comprises a plurality of respectively recesses and extensions for operatively engaging an extension or recess on a module.

It is further preferred that at least some of the pumps, preferably all of the pumps, comprise an actuator for releasing, and preferably also pulling, a container from, respectively onto, the connector and that the actuator is part of the module.

It is further preferred that a receptacle is positioned beneath or around at least some of the connectors, preferably all of the connectors, to collect fluid leaking or dripping from a respective container and that the receptacle is part of the module.

An apparatus for dispensing a plurality of fluids is disclosed that comprises a turntable and a plurality of pumps, connected to a container or having a connector for

releasably connecting a container to the respective pump, the pumps and containers or connectors being mounted on the turntable arranged along the circumference of the turntable or part of the circumference of the turntable, wherein at least one of the containers has a larger volume than the other containers or is in fluid connection with a further container positioned towards or at the centre of the turntable.

It is preferred that the front portions of the containers are positioned at or near the circumference of the turntable, and that the rear portion of the at least one larger container extends beyond the rear portions of at least some of the other containers.

It is further preferred that the apparatus comprises one or more, preferably two or more, larger containers and that the rear portions of the containers are complementary in shape with respect to each other and/or with respect to the rear portions of the other containers.

It is further preferred that the rear portions of the larger containers take up substantially all of the space defined by the rear portions of the other containers.

It is further preferred that the apparatus comprises two or more larger containers, which are substantially evenly distributed, either individually or groupwise, over the circumference of the turntable.

A container for use in the above-mentioned apparatus is disclosed, which container comprises a connector-counterpart provided with at least one rail or slot.

It is preferred that the container is a bag-in-box container and that the outer surface of the container is made of paper or cardboard.

Within the framework of the invention, the term "fluid" is defined as any material that can flow and that can be dispensed by the apparatus according to the present invention. Examples of fluids include liquids, pastes, granulates, and powders.

6a

In accordance with an aspect of the present invention there is provided an apparatus for dispensing a plurality of fluids, comprising a plurality of pumps, having a connector for releasably connecting, to the respective pump, a container, which holds a fluid and comprises a connector-counterpart, and at least one actuator for releasing a container from a connector, which the actuator is adapted to operatively engage the connector-counterpart and, upon engaging this counterpart, pull said connector-counterpart onto the connector and establish a fluid connection between the respective pump and the container.

BRIEF DESCRIPTION OF THE DRAWINGS

Figure 1 is a perspective view of a disclosed
5 apparatus for dispensing fluids;

Figure 2 is a perspective view of the apparatus in
figure 1 with its internals partially exposed;

Figures 3 to 6 are side views and perspective rear
views of a pump-module of the apparatus in figure 1 and
10 in accordance with the disclosure;

Figure 3A is a perspective view of a connector-
counterpart used in the apparatus of figure 1;

Figures 7 to 9 are a perspective side view and
sectional front and side views of a receptacle in the
15 apparatus in figure 1 and in accordance with the
disclosure;

Figures 10 to 12 are perspective views of three
types of developer containers for use in the apparatus in
figure 1.

20 It is noted that the drawings are not necessarily to
scale and that details, which are not necessary for
understanding the present invention, may have been
omitted. The terms "upper", "lower", "horizontal",
"vertical", "front", "rear", and the like relate to the
25 embodiments as oriented in the figures. Further, elements
that are at least substantially identical or that perform
an at least substantially identical function are denoted
by the same numeral.

30

**DETAILED DESCRIPTION OF THE
PRESENTLY PREFERRED EMBODIMENTS**

Figures 1 and 2 illustrate an example of an
apparatus 1 for dispensing a plurality of fluids, such as
35 (components of) paints, paint colorants, hair dyes,
shampoos, foundations, and the like. It can be used for
dispensing numerous recipes of the said products and can

be located e.g. at a retailer of decorative paints, a hairdresser, or a spa, respectively.

This particular dispensing apparatus 1 is an automated version and includes a horizontal turntable 2 (best shown in figure 7), with a plurality of metering pumps 3 and bag-in-box containers 4 mounted along its circumference. The turntable 2 can be rotated between discrete positions, e.g. thirty-two positions including a front or dispensing position (marked in figure 2 by a slightly raised container), about a vertical, central axis by means of a drive (not shown).

The apparatus 1 includes a frame 5 of e.g. aluminium extrusion profiles on which sheets 6 of metal or a polymer (transparent, translucent or opaque) have been attached by means of e.g. screws. A control panel 7 comprising a display and a small keyboard for entering information, such as customer data and recipes, is mounted on the right hand side of the frame 5, next to a door 8. This door 8 contains a computer for storing the said information and for driving the turntable 2, actuators for operating the pumps 3, etc., and is further equipped with a handle 9, a lock 10, and a switch 11 for turning the apparatus 1 on or off. A weighing device 12 is positioned below the door 8 in a recess where a cup or the like for receiving fluids dispensed by the apparatus 1 can be placed.

A substantially triangular hatch 13 is pivotally mounted, along one of its rims, in the top sheet 6. The hatch 13 is locked in place by the upper rim of the door 8. Opening the door 8 and the hatch 13 reveals a plurality of modules 14 (clearly shown in e.g. figures 3 to 6), releasably mounted in a circle on the turntable 2.

As can be seen in figures 3 to 6, each of the modules 14 comprises a guide member 15 of sheet metal or a synthetic material, which also serves as a frame on which *inter alia* one of the mentioned metering pumps 3 is mounted. Pumps 3 of this type are known in the art and comprise, at least in this example, a cylinder 16, which

communicates with one of the mentioned bag-in-box containers 4 (shown in figures 2, 3, and 5). The pumps 3 further comprise a piston, mounted inside the cylinder 16 and provided with a piston rod 17, which, on its upper end, is provided with a washer or flange 18. To reduce the number of strokes necessary for dispensing relatively large quantities of e.g. hair dye components, it is preferred that the cylinders 16 are sufficiently large, i.e. enable a stroke of at least 20 ml, e.g. 30 ml.

When the door 8 is closed, an actuator 19 on the inside of the door 8 engages the flange 18 of the pump 3 that is in the front position. The actuator 19 is shaped like a claw, which allows unobstructed horizontal movement of the pumps 3, but engages, when it moves vertically, the flange 18 and hence the piston rod 17 and the piston of the respective pump 3 in front of it. Upward movement of the actuator 19 causes an intake stroke of the piston and downward causes a discharge stroke.

The cylinder 16 is mounted in the top part of a pump housing 20, containing a known valve member, e.g., a ball valve or a cylindrical valve, which can be operated by means of a lever 21. In the intake position of this lever 21, the cylinder 16 communicates, via a connector 22, with a container 4 and can be filled with a desired amount of the fluid from the container 4 by moving the flange 18 upwards over a desired or predetermined length. As soon as a selected amount of fluid has been taken in, the valve member can be rotated to a dispensing position. In this position, the cylinder 16 communicates with a dispensing opening in the bottom surface of the pump housing 20 and the fluid can be dispensed by moving the flange 18 downwards.

Details regarding the turntable, pumps and the procedure for driving these components, are disclosed in, for instance, International application WO 03/083334, European patent application 0 992 450, and European

patent application 0 800 858, which are incorporated herein by reference.

As can be seen in figures 4 and 6, the turntable 2 comprises along its circumference square recesses 23 for receiving the pump housings 20, which recesses 23 are flanked on either side by threaded screw holes 24. The turntable 2 is further provided with a ring of small holes 25, which allow the turntable 2 to be rotated by means of one or more electric motors positioned beneath the turntable 2 and each provided with a wheel (not shown) comprising protrusions, which correspond in size and mutual distance to the said small holes 25. Further towards the central axis of the turntable 2 drip holes 26 are provided, which are in register with small receptacles 27 that will be discussed in more detail below. Still further towards the central axis of the turntable 2, radially extending slots 28, also discussed below, are provided as well as five relatively large holes in a circle, which serve to reduce the weight of the turntable 2 and hence of the apparatus 1.

As mentioned, each of the modules 14 comprises a guide member 15, which also serves as a frame. The member 15 comprises a front wall 29 provided with a foot 30 extending horizontally and in forward direction. The foot 30 supports a pump housing 20 and is provided with two through holes. The guide member 15 further comprises a sidewall 31 and rear wall 32, which together with the front wall 29 and the sidewall of an adjacent module 14 provide a guide for a container 4. The sidewall 31 has an inclined upper rim, which facilitates inserting a container 4, and a bent lower rim 33, which carries a connector 22 and a receptacle 27 surrounding the connector 22.

The rear wall 32 of the module 14 comprises an extension 34 extending below the module 14 and beyond the rear wall 32. A module 14 can be quickly secured to the turntable 2 by inserting the extension 34 in one of the slots 28 at an angle with the turntable 2 and, once the

extension 34 has been inserted, rotating the module 14 downwards until the foot 30 rests on the turntable 2 and the through holes in the foot 30 and the pump housing 21 are in register with the threaded screw holes 24 in the turntable 2. The module 14 can then be fastened to the turntable 2 by means of bolts 35. As a matter of course, the front portion of the modules 14 can also be fastened to the turntable with e.g. a clamping device, a sufficiently strong magnet, a snap-fit construction, through friction, etc.

In case of a malfunction of one of the components of one of the modules, that module can be removed and replaced quickly and can be repaired or serviced elsewhere.

Each of the modules 14 is provided with an actuator, preferably a lever 36 made e.g. of metal or a synthetic material and mounted pivotably, by means of an axis 37 welded to the lever 36 and positioned between the front wall 29 of the module 14 and the receptacle 27 or snapped-fitted in recesses in the receptacle 27, and extending parallel to a tangent of the turntable 2. The lever 36 comprises a relatively long and substantially U-shaped operating handle 38 on one side of the pivot axis 37 and two relatively short parallel arms 39 on the other side of the pivot axis 37 extending at an angle of about 90 degrees with respect to the handle 38. The arms 39 are provided with round protrusions 40 extending inwardly.

Each of the bag-in-box containers 4 includes a connector-counterpart 41 (figure 3A), which is part of the bag and extends through an opening in the bottom wall of the box. The counterpart 41 includes two straight rails 42 extending parallel to each other and to the bottom wall of the box. The upper walls 43 of the rails 42 are longer than the lower walls 44, such that, when a container 4 is placed in the guide member 15 while the handle 38 is in a forward position and the arms 39 consequently extend upwards, the upper walls 43 abut the protrusions 40 on the arms 39. By pushing the container 4

slightly further into the guide member 15, the arms 39 are pushed slightly downwards - and the handle 38 slightly upwards - and the protrusions 40 engage or are at least positioned over the lower walls 44 of the rails 42. From there, the counterpart 41 and the container 4 can be pulled downwards by simply pushing the handle 38 towards the module 14 until a secure fluid connection has been established. Further, the container 4 can be removed by pulling the handle 38 away from the module 14. Upon establishing a fluid connection between the respective pump and the container, the handle extends substantially parallel to the pump and the container. I.e., a relatively long handle can be employed, yielding a relatively low operating force, without necessitating a more voluminous design of the apparatus 1.

The protrusion(s) can be provided with a friction reducing material, such as Teflon, or with a wheel or bearing. However, in this example, the connector-counterpart was made of an injection moulded low friction material, viz. polyethylene.

More details and suitable non-limitative variants of the connectors and connector-counterparts are disclosed in, for instance, International patent applications WO 03/031161 and WO 03/031280, which are incorporated herein by reference.

As mentioned above, the apparatus shown in the figures comprises a weighing device 12 for measuring the weight of fluid dispensed by one or more of the pumps 3. This device can *inter alia* be used to check whether the correct amounts of each of the components of a certain recipe that should have been dispensed were actually dispensed.

The weighing device 12 in this example comprises a plate (shown in figures 1 and 2) on which a cup or the like can be placed. The plate is mounted on a load-cell (hidden from view and known in itself), e.g. a slotted aluminium bar provided with one or more, e.g. four, strain gauges. The change in resistance of the strain

gauges is measured and fed, via an amplifier, and optionally a low pass filter, into the computer in the door 8 of the apparatus and processed (e.g. filtered). In practice, an accurate measurement may require several
5 seconds, during which interval the influence of vibrations in the apparatus itself or from external sources is filtered out.

According to an aspect of the present invention, the time needed for dispensing a recipe can be reduced as
10 follows. The computer stores information on the volumetric amounts that have been dispensed by the pumps 3 from each of the containers 4 and on the amount of fluid that, based on this volumetric information and the density of the respective fluid, should still be present
15 in each of the containers 4. As long as this amount is above a suitable threshold value, e.g. 10% of the volume of a filled container, the weight measurements are carried out quickly and/or the turntable 2 is already rotated to its next position during measurement thus
20 reducing the overall time needed to prepare a specific paint, hair dye, or the like.

If the result of the measurement is within an expected range, the dispensing process continues. If the result is outside this range and e.g. too little fluid
25 has been dispensed, the turntable 2 returns to its previous position, a retry is executed, and/or the operator is warned. In such a case, a container 4 may have been installed incorrectly, resulting in an inadequate fluid connection, or the container 4 may have
30 been depleted unexpectedly, and the container 4 should respectively be installed properly or replaced by a filled container 4.

As soon as the amount that should, according to the volumetric data, still be present in a particular
35 container 4 is lower than the said threshold value or the measurement should be more accurate for another reason, e.g. because the amount to be dispensed is relatively small, the time used for weight measurements relating to

that container is lengthened to an interval that is sufficient for a more accurate measurement. If it appears, based on this measurement, that the container 4 has been depleted, the operator is warned and the container 4 should be replaced by a filled container 4.

Also, because this system checks whether the correct amounts of fluid have been dispensed, there is no longer a need to replace the containers before they are effectively empty. In other words, the amount of fluid still present in a container when it is replaced, i.e. the amount of waste, can be reduced.

Apart from improving reliability and reducing waste, the weighing device according to the present invention can also be used, e.g. during installation of the dispensing apparatus, to measure the density of the fluids and/or to calibrate the dispensing action of one or more, preferably all, of the pumps.

If the density of one or more of the fluids is not known, this density can be determined by dispensing a pre-selected amount, e.g. equal to the amount obtained with one stroke of a piston pump, and accurately measuring the weight of the dispensed amount. Dividing the measured weight by the dispensed volume yields a value for density, which can be inputted in the above-mentioned computer.

Although most pumps, e.g. piston pumps, dispense linearly, i.e. the amount dispensed is proportional to e.g. the stroke of the piston, non-linear behaviour may occur when small amounts are being dispensed. The apparatus according to the present invention can be calibrated by determining the smallest amount of fluid that is likely to be dispensed, e.g. 0,1 ml, and repeatedly, preferably from three to eight times, dispensing an amount slightly smaller than the determined amount, e.g. 0,8 ml, and weighing the dispensed amounts. This procedure is preferably followed by, repeatedly, again preferably from three to eight times, dispensing an amount e.g. two or three times larger than the previous

amount, i.e. respectively 1,6 or 2,4 ml, weighing the dispensed amounts and repeating this last step one or more time, i.e. with 3,2 or 7,2 ml and so on. By calculating the mean value and standard deviation of the dispensed weights for each volume (0,8, 1,6, 3,2, etc.) and, if the standard deviations are sufficiently small, storing the mean values in the computer e.g. in matrix or table linking the mean values to the respective stroke lengths of the pumps, the pumps can be driven accurately, even in a volume range where the pumps exhibit non-linear behaviour, by means of the said matrix or table preferably supplemented with linear interpolation to calculate values in between the mean values.

Each of the connectors 22 is surrounded by a receptacle 27 shaped as a funnel. The opening in the bottom of each of the receptacles 27 extends through one of the above-mentioned drip holes 26 in the turntable 2. A shared receptacle, depicted in figures 7 to 9, is positioned beneath the said receptacles 27 to collect fluid dripping from these receptacles 27. The shared receptacle comprises an inclined first plate 45 made of sheet metal or a synthetic material, e.g. ABS, and positioned beneath a number of the said receptacles 27, in this example beneath roughly 50 percent of the receptacles 27. The first plate 45 includes a bent raised edge 46 along its lower rim. Inclined second plates 47, also made of sheet metal or a synthetic material and also including a bent raised edge 48 along its respective lower rim, are positioned beneath each of the ends of the raised edge 46 of the first plate 45 and beneath further receptacles. A drawer 49, also made of sheet metal or a synthetic material, is positioned beneath the lower ends of the raised edges 48 of the second plates 47. Thus, the first and second plates 45, 47, and the drawer 49 together provide an effective common receptacle, which follows the circumference of the turntable 2 such that fluid dripping from any one of the receptacles 27 will be

collected by at least one of the said plates 45, 47, and eventually the drawer 49.

In many dispensing apparatuses, some components will be dispensed in larger amounts than others. E.g. when
5 making decorative paints, a base paint or specific colorants make up a larger part of most common recipes than others. In hair dyes, a developer is a component of most recipes and, consequently, larger amounts of such a developer are required.

10 One variant of the present dispensing apparatus, shown in figure 10, comprises dedicated containers 50 of a blow moulded synthetic material or made of thin sheet metal, e.g. stainless steel, for the said developer. Each
15 of these containers 50 is in fluid connection with an additional container 51 positioned towards the centre of the turntable 2. The containers 50, 51 function as communicating vessels by means of a duct 52 connecting
the bottom walls of these containers 50, 51.

A further variant, shown in figure 11, comprises a
20 number of larger containers 50, in this example four larger containers 50, each having a rear portion 53 extending beyond the rear walls of the other containers 4 and comprising two tapering walls and a partially
circular wall 54 spanning a quarter of a circle. The rear
25 portions 53 of the larger containers 50 are thus complementary in shape with respect to each other and with respect to the other containers 4 and take up substantially all of the space defined by the rear
portions of the other containers and provide almost
30 maximum additional fluid holding capacity. A filler opening, closed by means of a screw cap 55, is provided in a front portion of each of the containers 50.

If it is desirable or necessary to have the
developer present in different percentages, each of the
35 containers 50 can be used for one specific percentage, e.g. 3, 6, 9, and 12 percent, or 18 percent in two diametrically opposed containers and 0 percent (for

dilution) in the other two diametrically opposed containers.

A still further variant, shown in figure 12, differs from the variant shown in figure 11 primarily in that the front and rear portions of the container 50 are connected halfway the partially circular wall 54. As a result, the containers 50 are located at, in this case, four positions 90 degrees apart. During filling, only one of the containers 50 can be in the front position and only the filler opening of the container 50 in the front position is accessible. Thus, the chance of filling the containers 50 with a wrong fluid, e.g. a wrong strength of peroxide, is reduced.

As a matter of course, this disclosure is not restricted to the above-disclosed embodiments, which may be varied in different manners within the spirit and scope of the invention. For example, the apparatus according to the present invention can be configured as a linear dispensing apparatus i.e. with the containers aligned in a row.

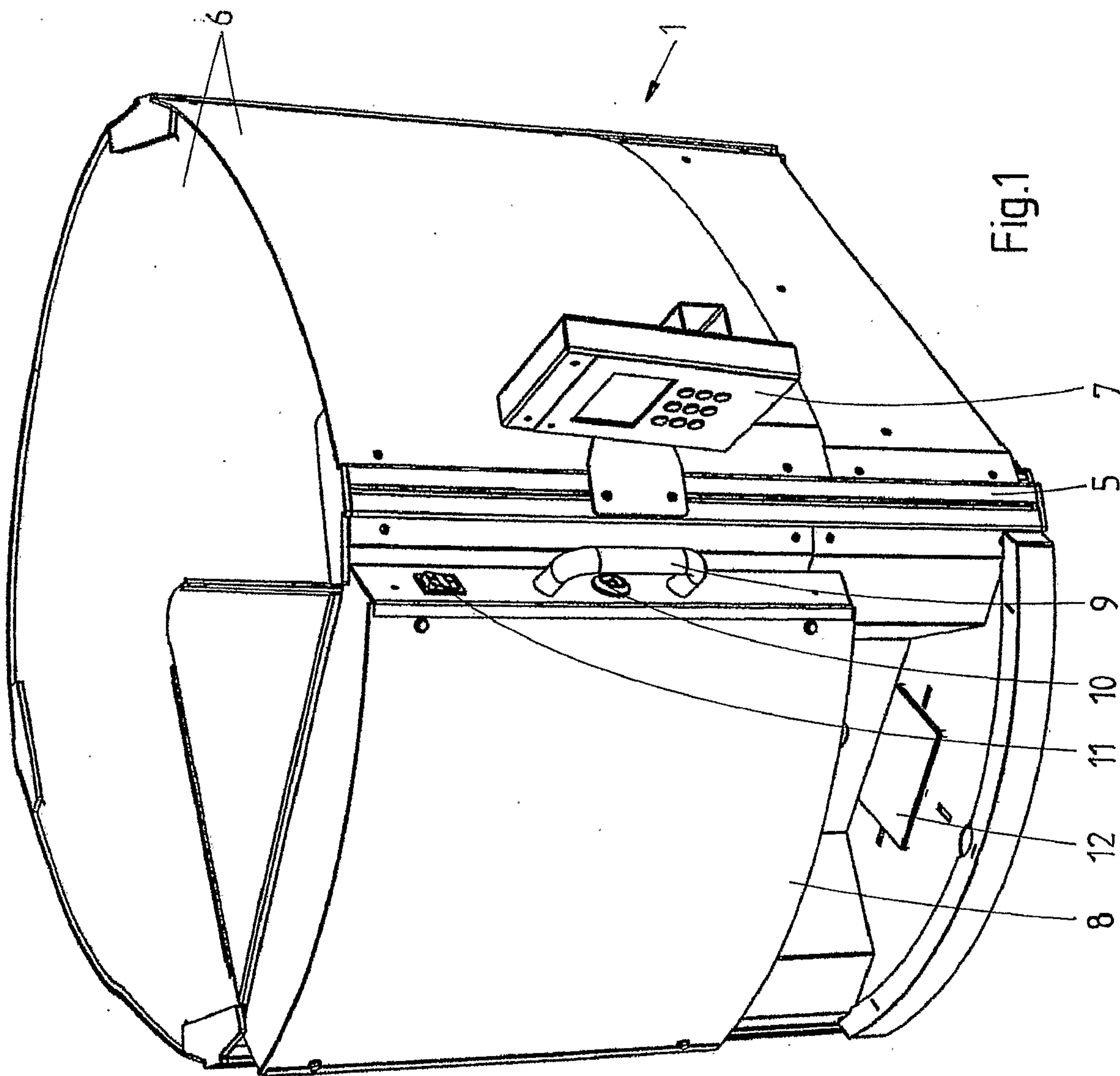
WHAT IS CLAIMED IS:

1. An apparatus for dispensing a plurality of fluids, comprising a plurality of pumps, having a connector for releasably connecting, to the respective pump, a container, which holds a fluid and comprises a connector-counterpart, and at least one actuator for releasing a container from a connector, which the actuator is adapted to operatively engage the connector-counterpart and, upon engaging this counterpart, pull said connector-counterpart onto the connector and establish a fluid connection between the respective pump and the container.
2. The apparatus of claim 1, wherein at least some of the pumps are associated with said actuator.
3. The apparatus of claim 1 or 2, wherein the actuator(s) comprise(s) a lever mounted on a pivot axis associated with a respective pump which lever comprises an operating handle on one side of the pivot axis and at least one arm for operatively engaging the connector-counterpart on the other side of the pivot axis.
4. The apparatus of claim 3, wherein, upon establishing said fluid connection between the respective pump and the container the handle extends substantially parallel to the pump and/or the container.
5. The apparatus of claim 3 or 4, wherein the connector-counterpart comprises at least one rail or slot and the said arm comprises at least one protrusion adapted to engage the rail or slot.
6. The apparatus of any one of claims 1 to 5, comprising a plurality of containers for storing said fluid and wherein each of the containers comprises said connector-counterpart for connection to a respective connector.

7. The apparatus of any one of claims 1 to 6, wherein the connectors are mounted on a turntable and arranged in a circle or part of a circle.

8. The apparatus according to any one of claims 1 to 7, wherein the container is a bag-in-box container and at least part of the outer surface of the container is made of paper or cardboard.

9. The apparatus according to any one of claims 1 to 8, wherein the container is a bag-in-box container, a connector-counterpart is fixed to the bag, the box comprises an opening for accommodating the connector-counterpart the connector-counterpart comprises a rim comprising a groove or at least one recess, and wherein the rim of the opening in the box is positioned in the said groove or at least one recess.



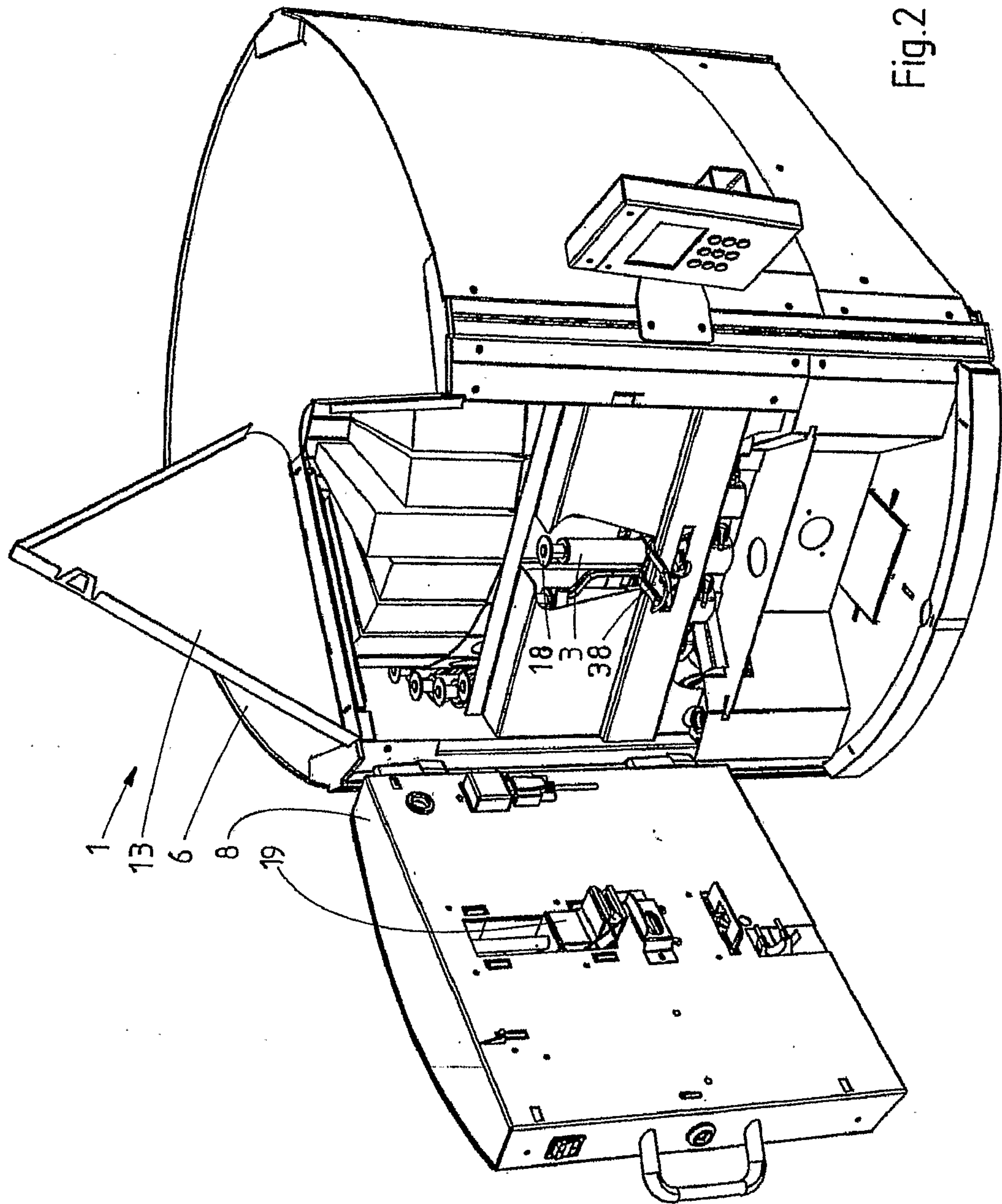
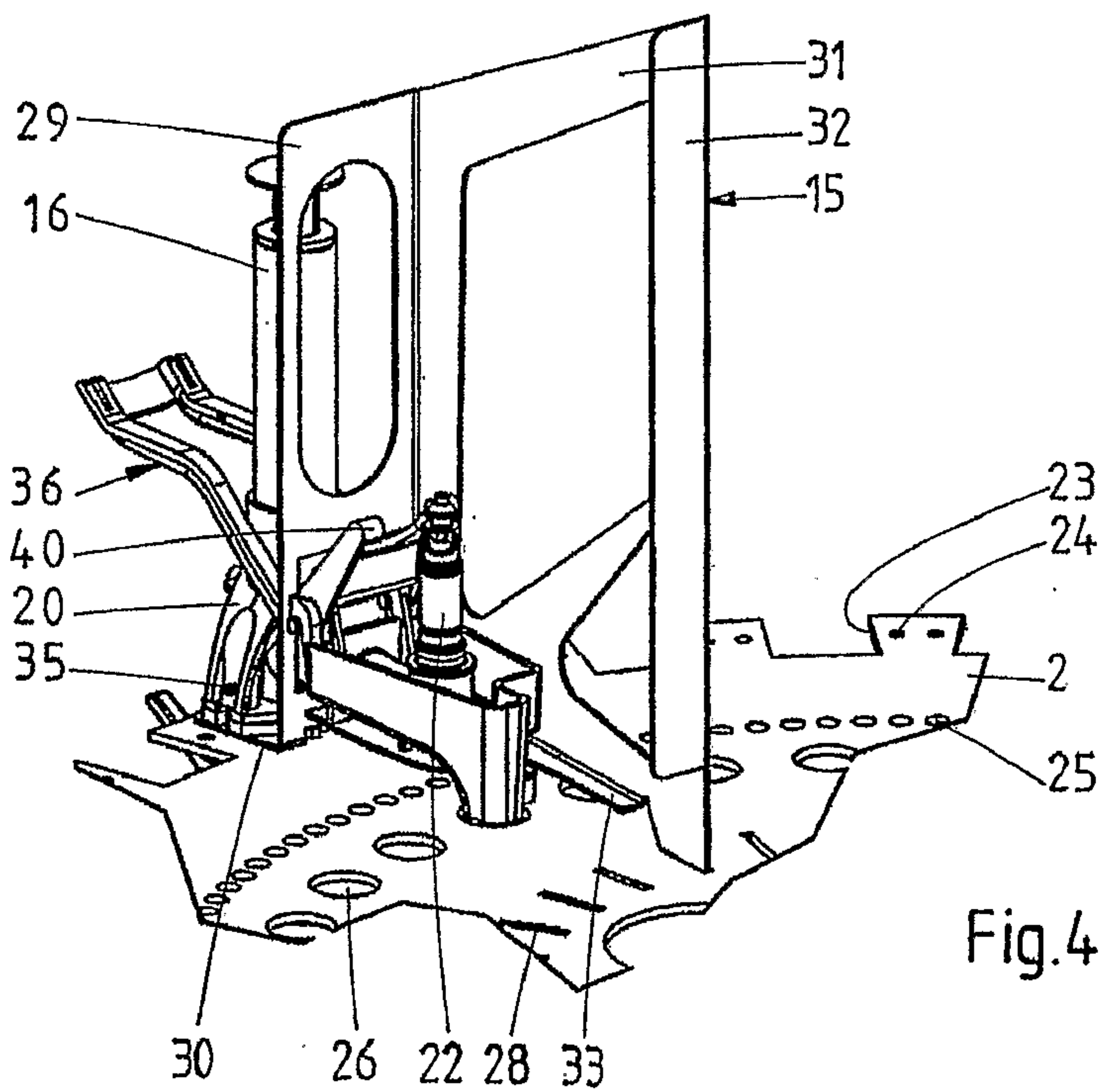
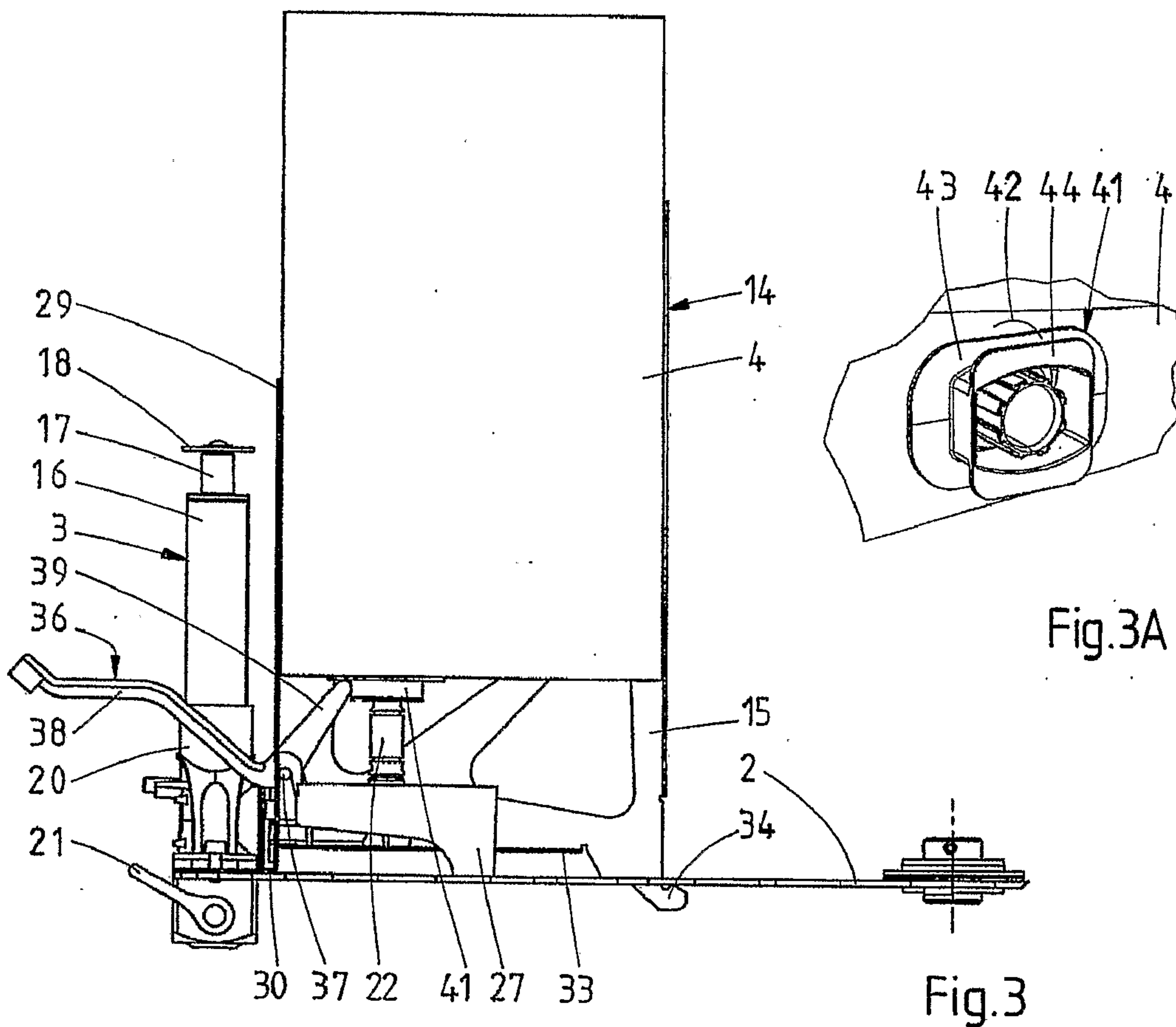


Fig.2



4/7

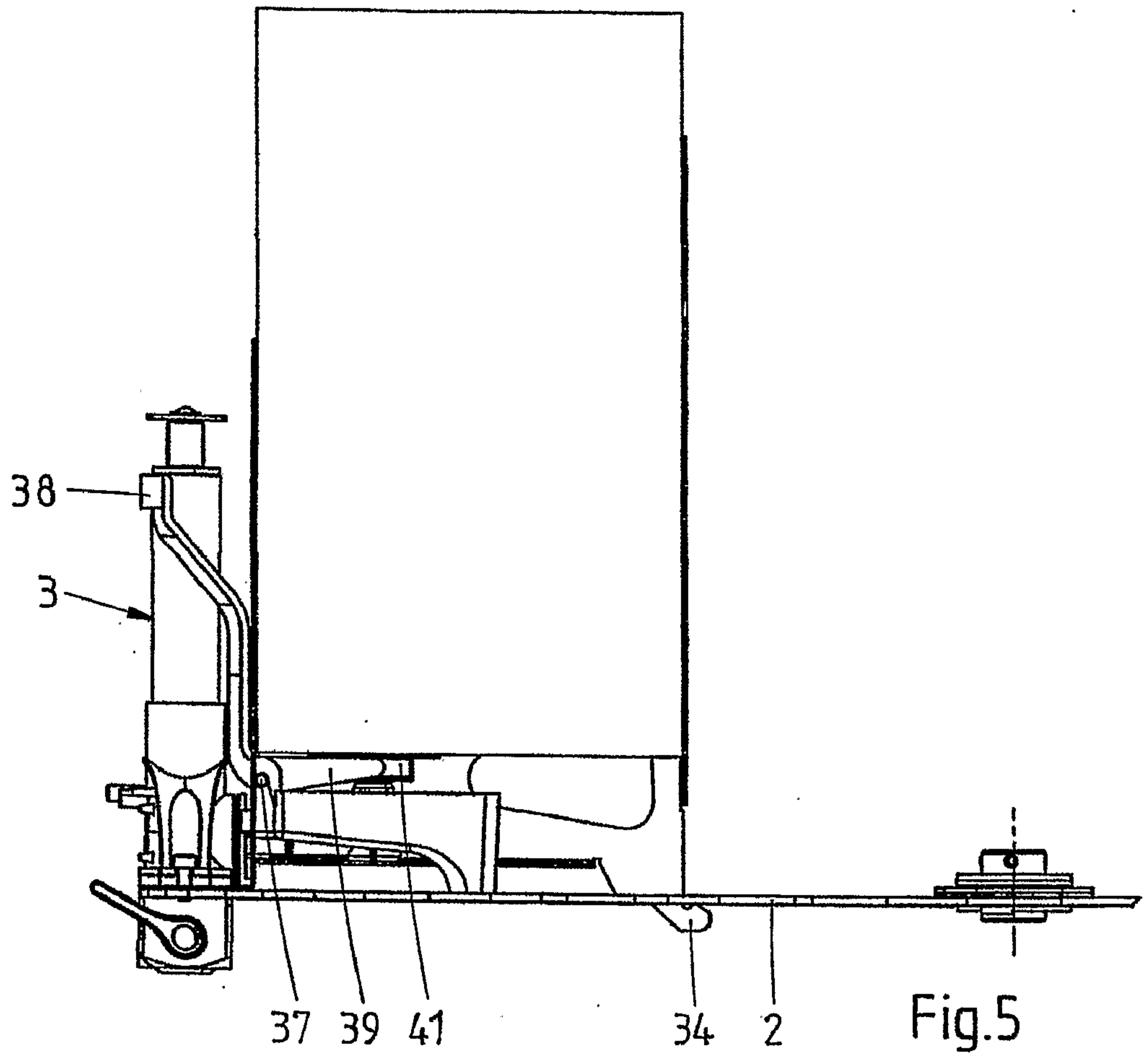


Fig.5

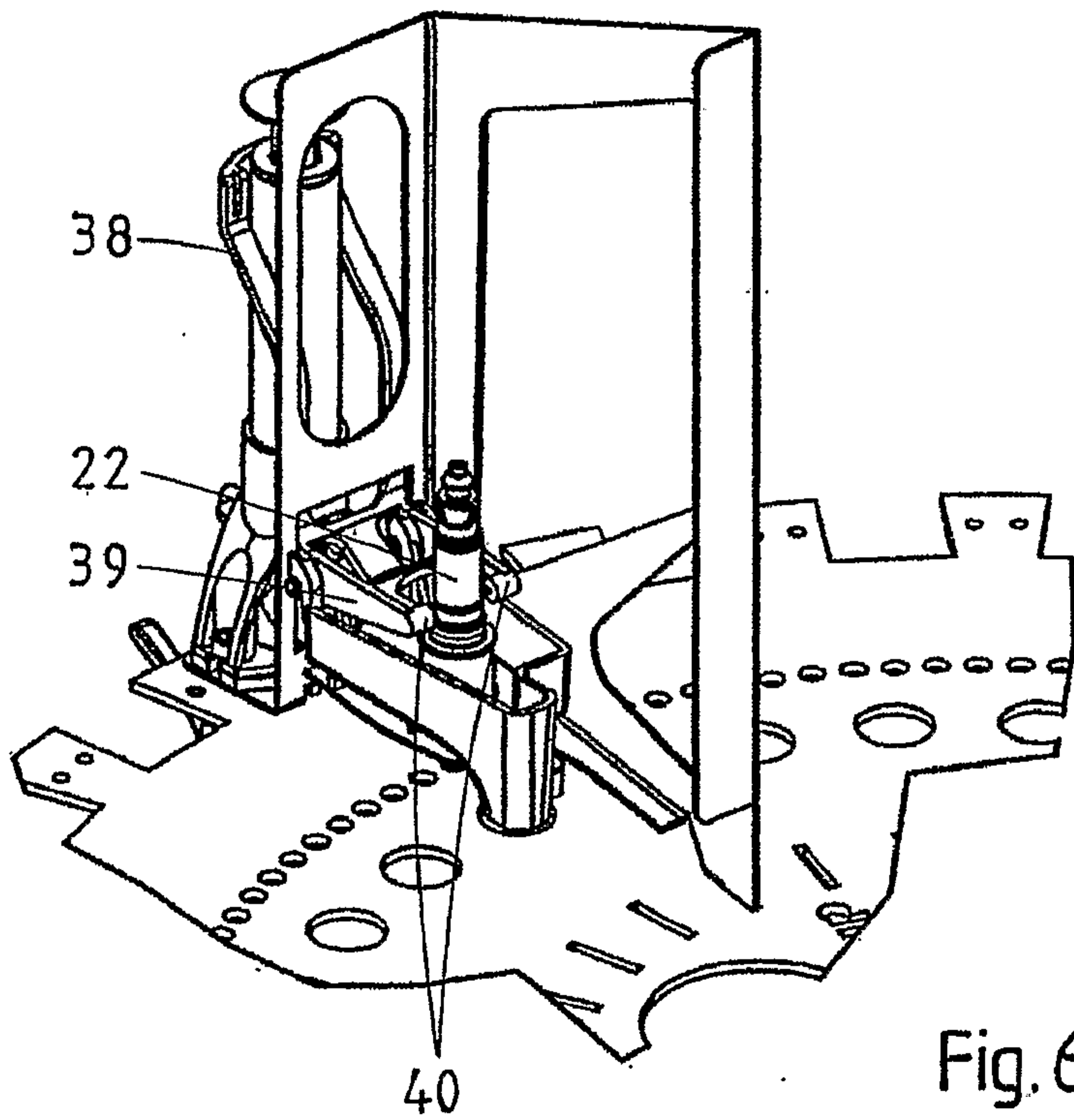


Fig.6

5/7

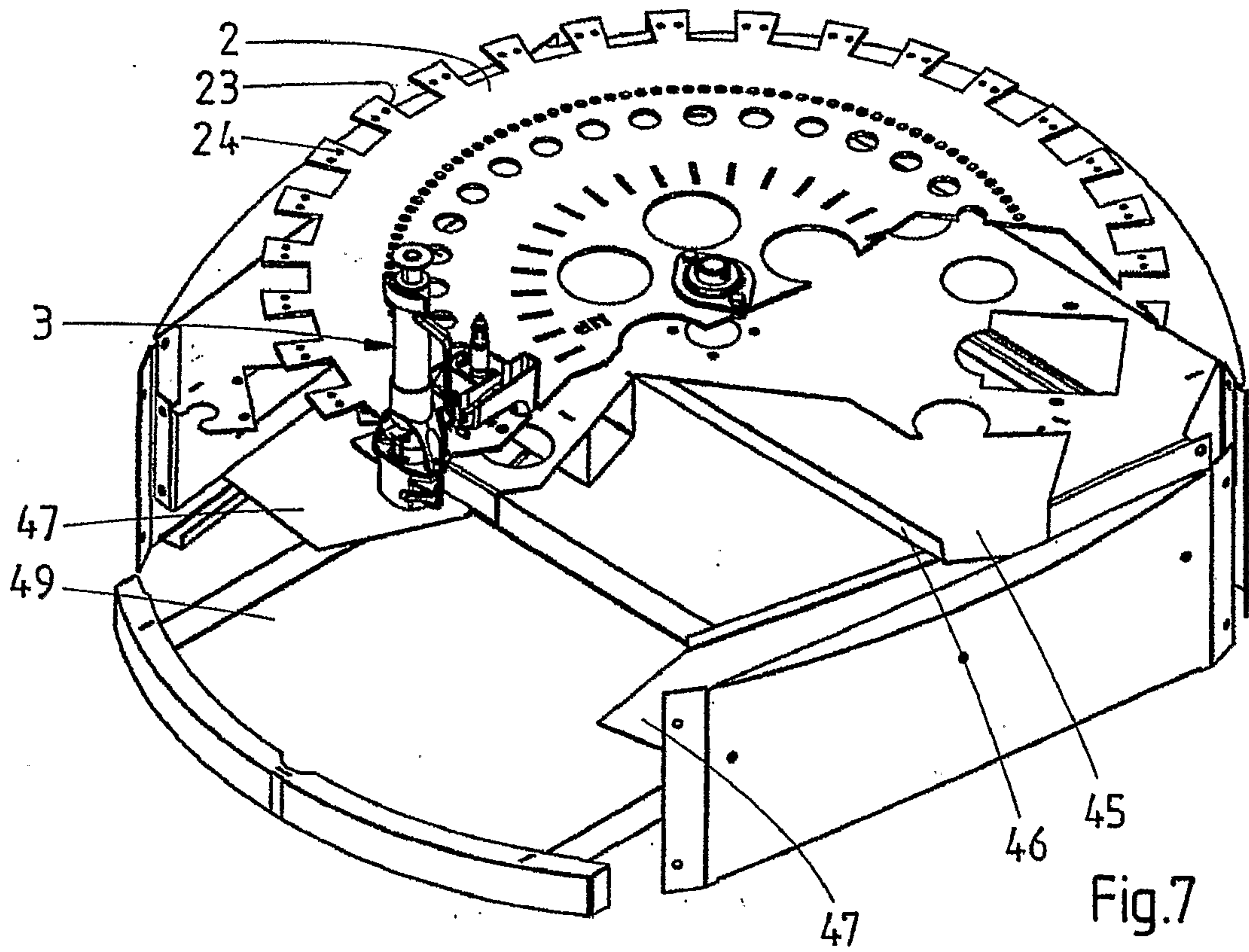


Fig.7

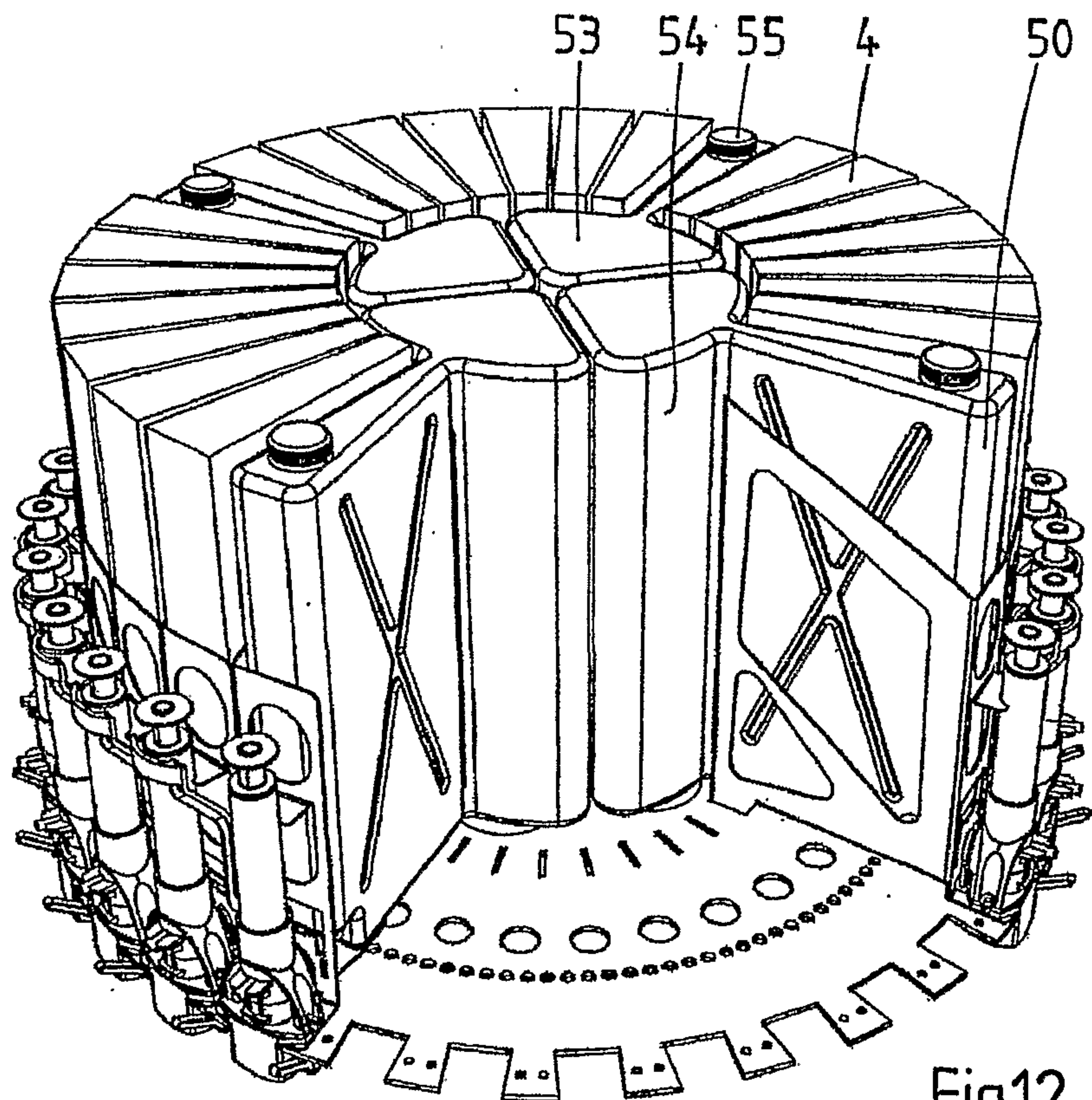
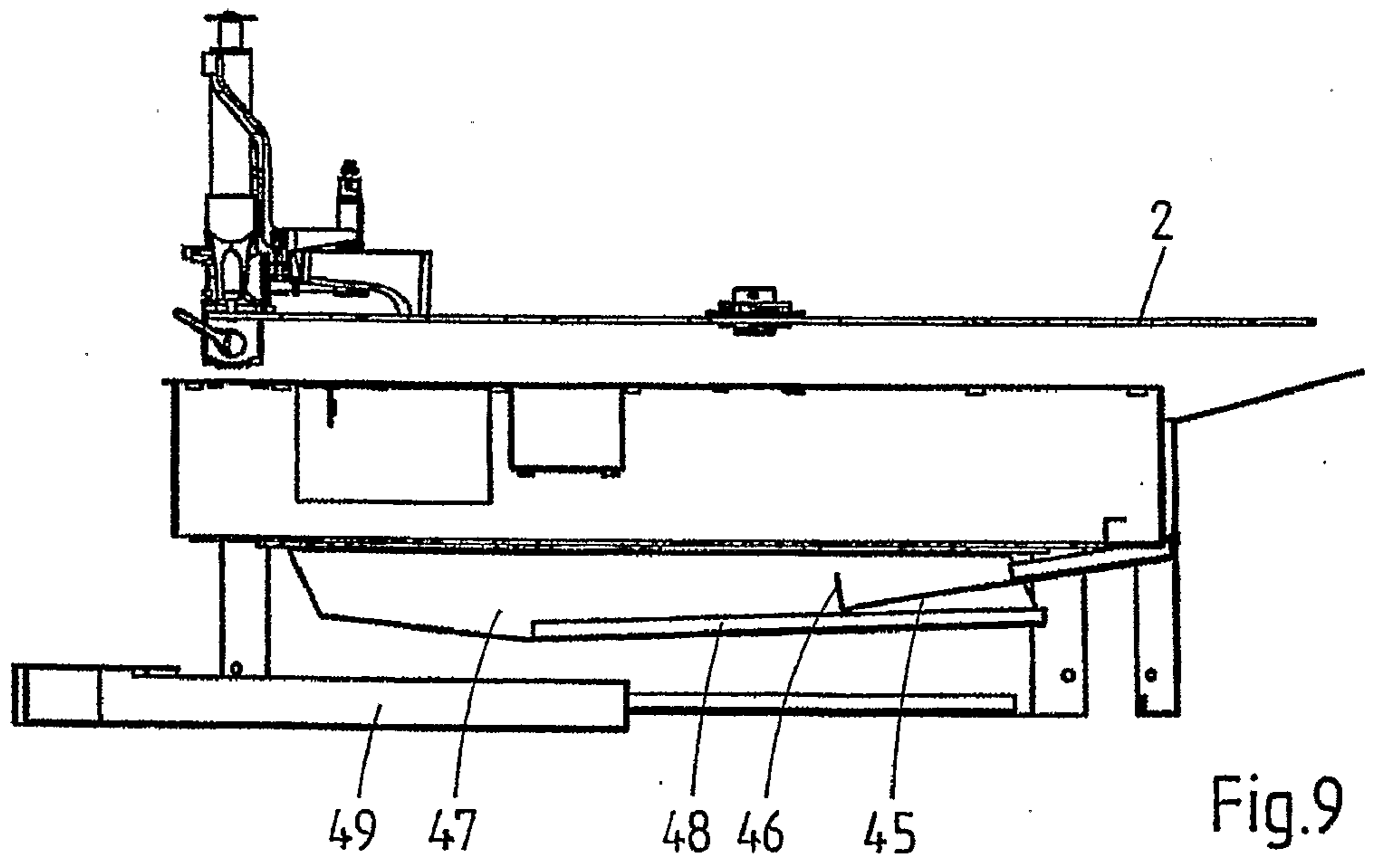
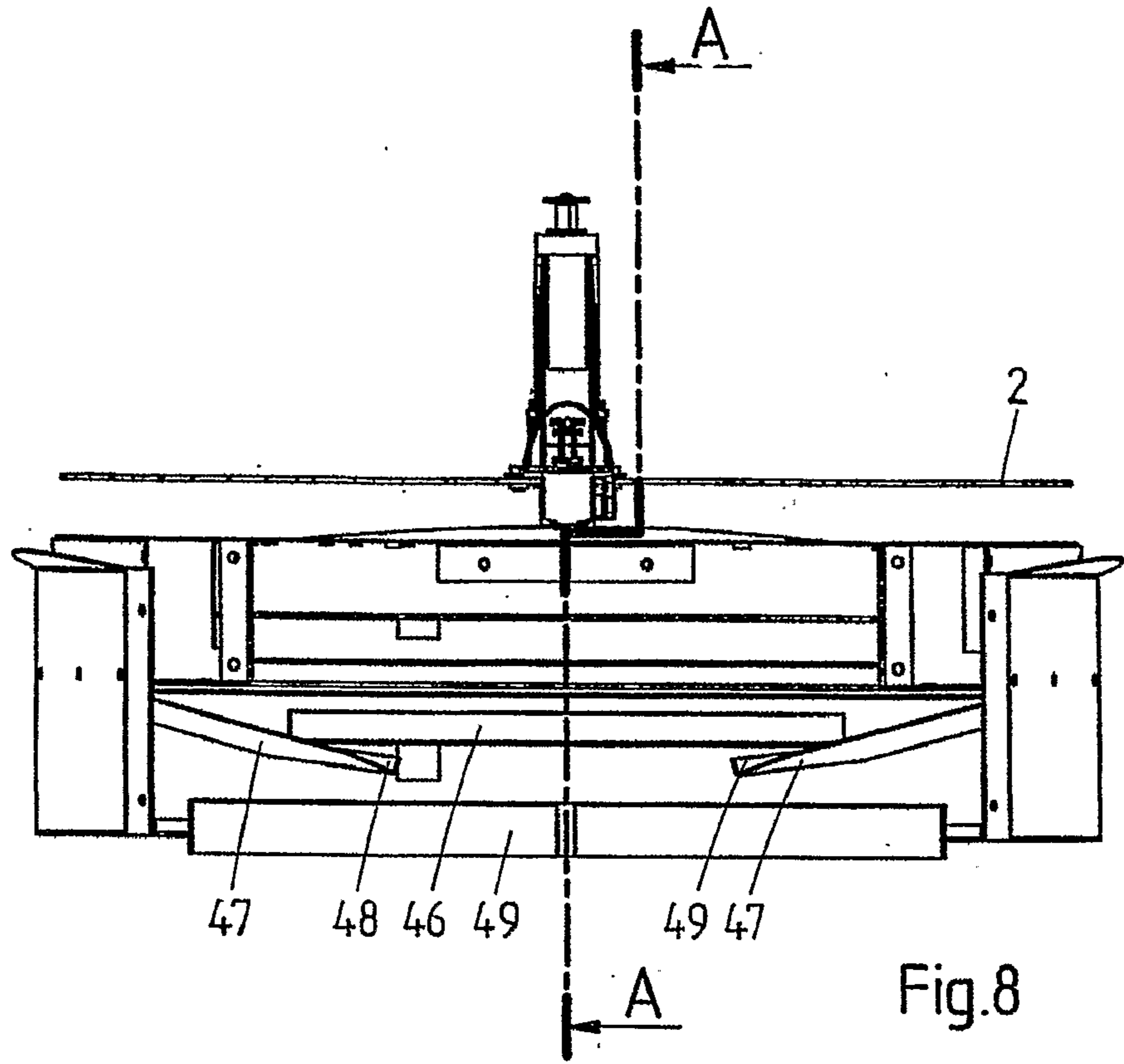


Fig.12

6/7



A-A

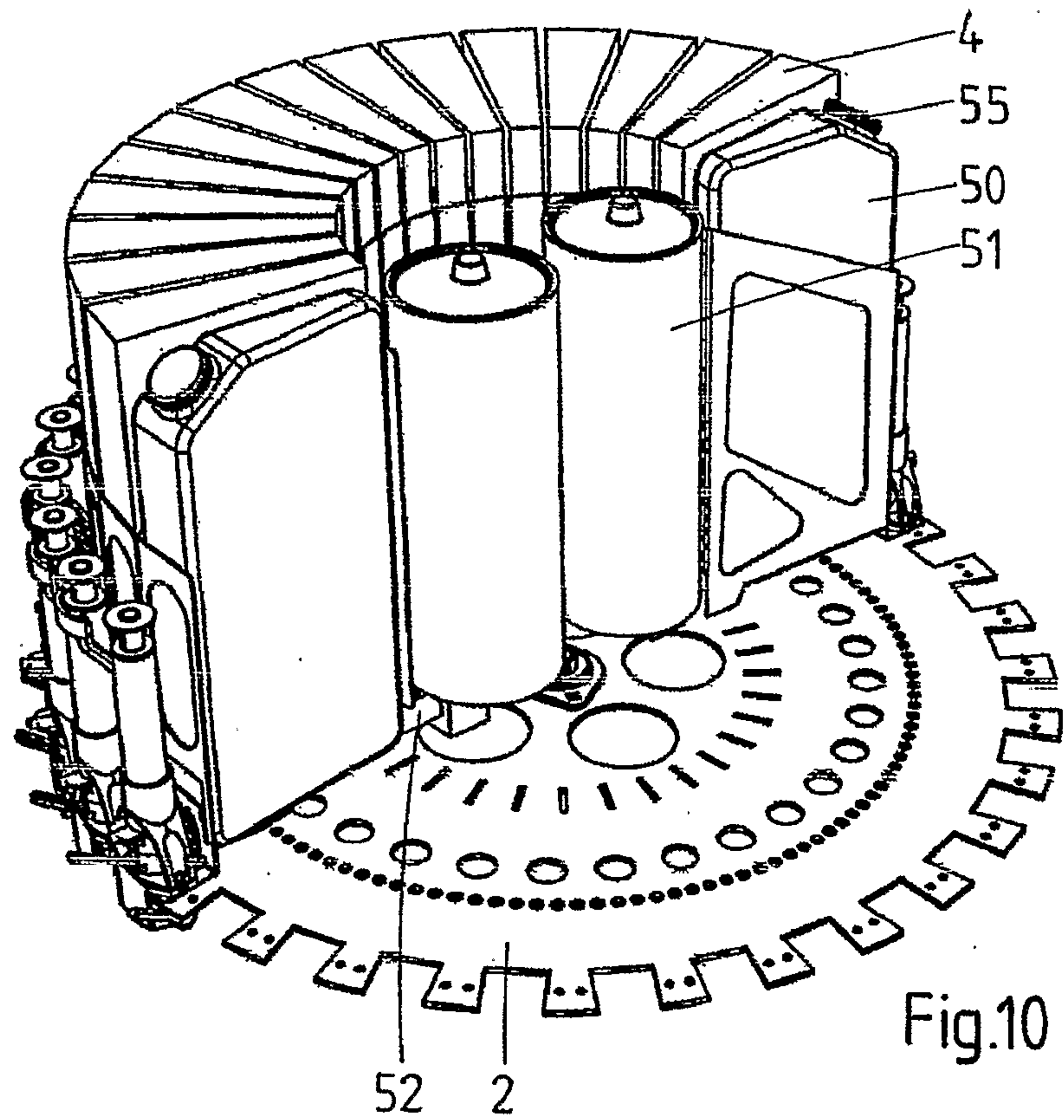


Fig.10

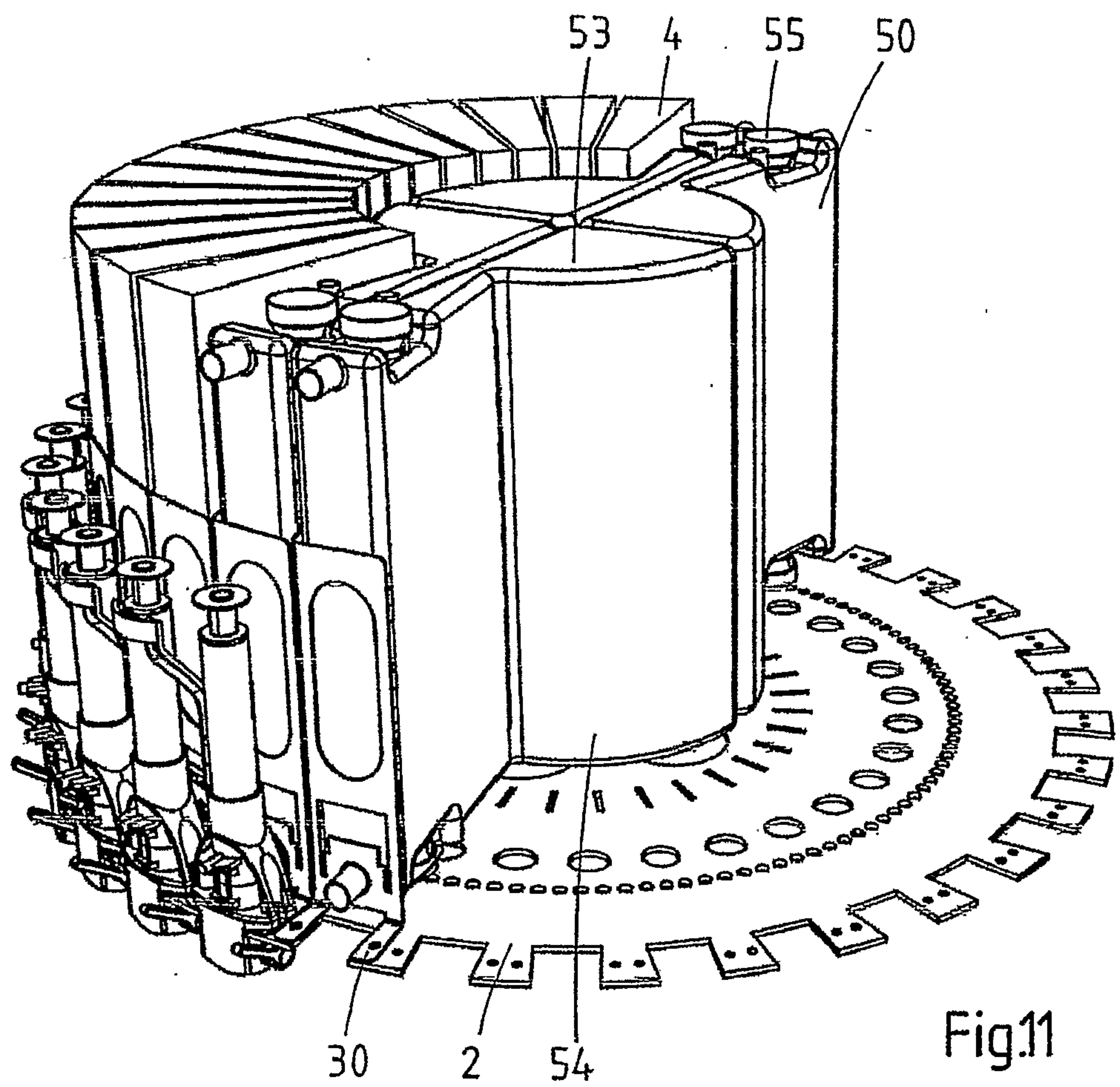


Fig.11

