



(12) **United States Design Patent**
Laffon de Mazieres et al.

(10) **Patent No.:** **US D900,795 S**
(45) **Date of Patent:** **** Nov. 3, 2020**

(54) **PORTABLE INPUT/OUTPUT DEVICE**

(71) Applicant: **Amazon Technologies, Inc.**, Seattle, WA (US)

(72) Inventors: **Emmanuel J M Laffon de Mazieres**, Burlingame, CA (US); **Giles David Matthew McWilliam**, San Francisco, CA (US); **Marc Rene Walliser**, San Francisco, CA (US)

(73) Assignee: **Amazon Technologies, Inc.**, Seattle, WA (US)

(**) Term: **15 Years**

(21) Appl. No.: **29/625,802**

(22) Filed: **Nov. 13, 2017**

(51) **LOC (12) Cl.** **14-03**

(52) **U.S. Cl.**
USPC **D14/240**; D14/203.3; D14/496; D14/356

(58) **Field of Classification Search**

USPC D14/125, 129, 137, 138 R, 138 AA, 140, D14/142, 149, 150, 155, 159, 167, 168, D14/169-171, 172, 188, 194-196, D14/203.1-203.8, 204, 209.1, 210, 216, D14/217, 221, 238.1, 239, 240, 242, 314, D14/348, 349, 356-358, 432, 496, 507, D14/509, 299, 433-437, 383-386, D14/480.1-480.7; D10/104.1, 106.1, D10/106.2, 106.3; D21/513; D13/103, D13/107, 108, 133, 146, 147
CPC H04R 1/345; H04R 1/02; H04R 1/025; H04R 1/028; G06F 3/167; G06F 17/00; H04L 65/1059

See application file for complete search history.

(56) **References Cited**

U.S. PATENT DOCUMENTS

D306,519 S * 3/1990 Nakata D3/206
D339,806 S * 9/1993 Grinkus D14/217

D520,502 S * 5/2006 Xu D14/356
D531,178 S * 10/2006 Lee D14/367
D539,814 S * 4/2007 Andre D14/203.3
D574,014 S * 7/2008 Dai D14/496
D577,010 S * 9/2008 Wilson D14/225
D585,077 S * 1/2009 Sheba D14/434
D586,740 S * 2/2009 Song D13/103
D590,336 S * 4/2009 Tatehata D13/103

(Continued)

OTHER PUBLICATIONS

“The Best USB-C and USB-A Card Readers for Transferring Images on the Fly,” Satechi Aluminum Type-C Micro/SD Card Reader pictured therein, post date Nov. 15, 2017, URL: <https://www.bestproducts.com/tech/gadgets/g3456/car-reader-reviews/>, retrieved Apr. 10, 2020.*

(Continued)

Primary Examiner — Jeffrey D Asch
Assistant Examiner — Rebekah A Caruso
(74) *Attorney, Agent, or Firm* — Lee & Hayes, P.C.

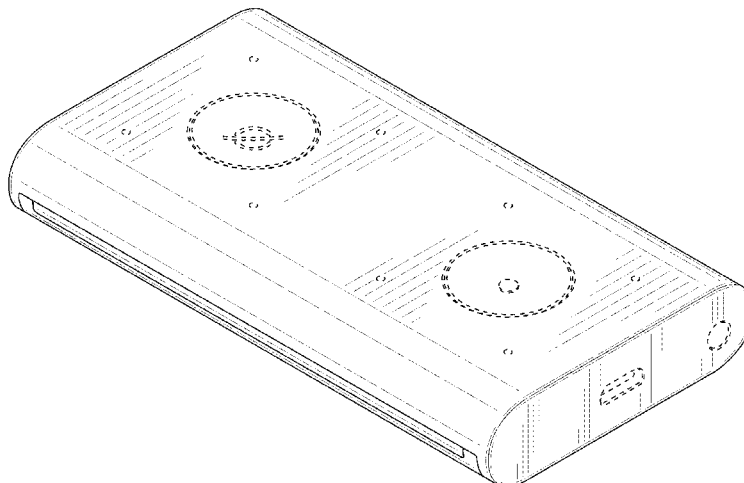
(57) **CLAIM**

The ornamental design for a portable input/output device, as shown and described.

DESCRIPTION

FIG. 1 is a top, front perspective view of a portable input/output device;
FIG. 2 is a front view thereof;
FIG. 3 is a back view thereof;
FIG. 4 is a right-side view thereof;
FIG. 5 is a left-side view thereof;
FIG. 6 is a top view thereof; and,
FIG. 7 is a bottom view thereof.
The broken lines depict portions of the portable input/output device that form no part of the claimed design.

1 Claim, 7 Drawing Sheets



(56)

References Cited

U.S. PATENT DOCUMENTS

D593,940	S	*	6/2009	Nomi	D13/103
D632,283	S	*	2/2011	Cheng	D14/225
D650,738	S	*	12/2011	Leung	D13/107
D656,496	S	*	3/2012	Andre	D14/341
D665,734	S	*	8/2012	Fitch	D13/107
D678,191	S	*	3/2013	Fitch	D13/108
D684,148	S	*	6/2013	Sei	D14/240
D694,708	S	*	12/2013	Kim	D13/108
D697,501	S	*	1/2014	Fargeau	D14/240
D698,754	S	*	2/2014	Vuillet	D13/168
D708,129	S	*	7/2014	Houghton	D13/103
D715,760	S	*	10/2014	Kim	D14/188
D717,243	S	*	11/2014	Liu	D13/103
D720,755	S	*	1/2015	Nokuo	D14/433
D732,023	S	*	6/2015	Asao	D14/358
D737,244	S	*	8/2015	Kim	D14/214
D754,131	S	*	4/2016	Shim	D14/435
D763,188	S	*	8/2016	Park	D13/108
D774,514	S	*	12/2016	Turksu	D14/480.5
D787,443	S	*	5/2017	Chiang	D13/110
D788,751	S	*	6/2017	Pejaudier	D14/223
D792,409	S	*	7/2017	Shim	D14/435
D806,089	S	*	12/2017	Shim	D14/480.5
D812,000	S	*	3/2018	Li	D13/108
D829,719	S	*	10/2018	Shim	D14/435
D830,358	S	*	10/2018	Wietzke	D14/358
D835,338	S	*	12/2018	Oligschlaeger	D27/186
D836,543	S	*	12/2018	Sun	D13/108
D837,790	S	*	1/2019	Wu	D14/435
D839,823	S	*	2/2019	Lemelson	D13/103
D853,958	S	*	7/2019	Lei	D13/108
D867,280	S	*	11/2019	Chen	D13/103
D875,036	S	*	2/2020	Gan	D13/103
2009/0009953	A1	*	1/2009	Lin	G06F 1/1632 361/679.33
2011/0254509	A1	*	10/2011	Boczer	H01M 4/0404 320/127

OTHER PUBLICATIONS

Echo Auto—Hands-free Alexa in your car with your phone, Amazon online, no post date, URL: <https://www.amazon.com/echo-auto-add-alexa-your/dp/B07vtk654b>, retrieved Jun. 11, 2020.*

The Indian Office Action dated May 15, 2018 for Indian design application No. 305192, a counterpart foreign of design U.S. Appl. No. 29/625,802, 2 pages.

The Canadian Office Action dated Jan. 31, 2019, for Callan Design Application No. 180891, a counterpart foreign application for the Design U.S. Appl. No. 29/625,802, 2 pages.

The Korean Office Action dated Nov. 13, 2018, for Korean Design Application No. 30-2018-19657, a counterpart foreign application for the Design U.S. Appl. No. 29/625,802, 2 pages.

The Chinese Office Action dated Aug. 30, 2018 for Chinese design application No. 201830218194., a counterpart foreign application of design U.S. Appl. No. 29/625,802, 2 pages.

* cited by examiner

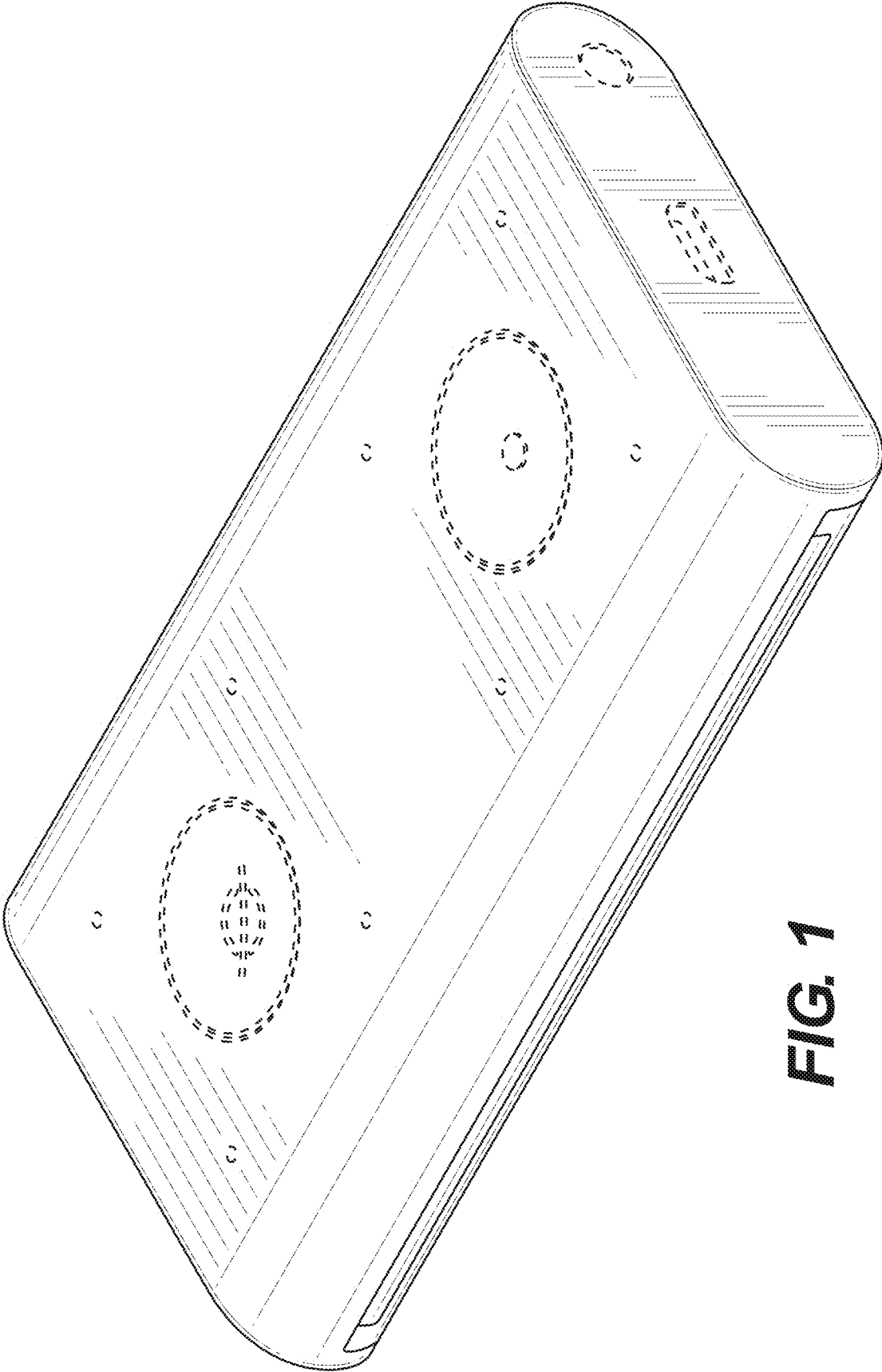


FIG. 1

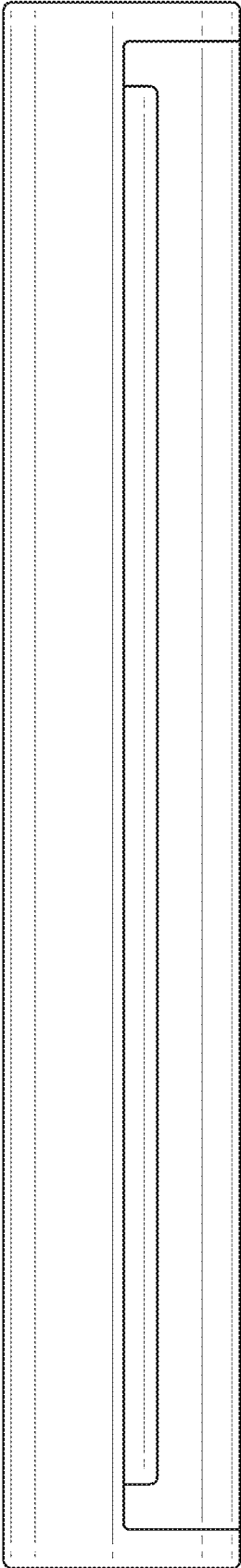


FIG. 2

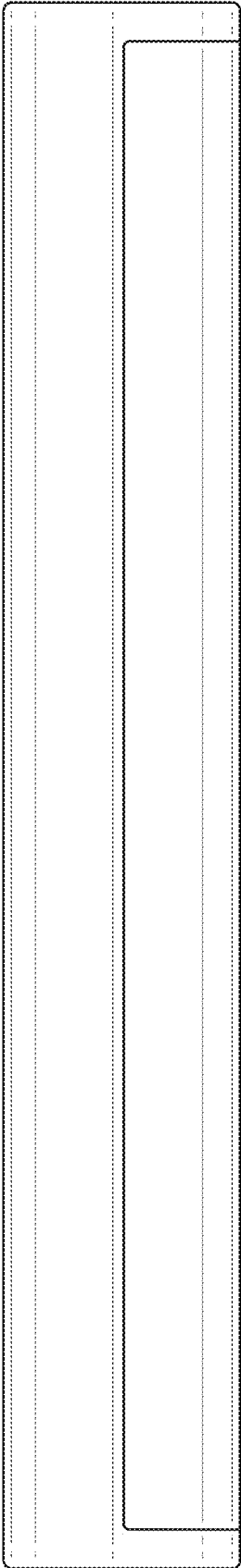


FIG. 3

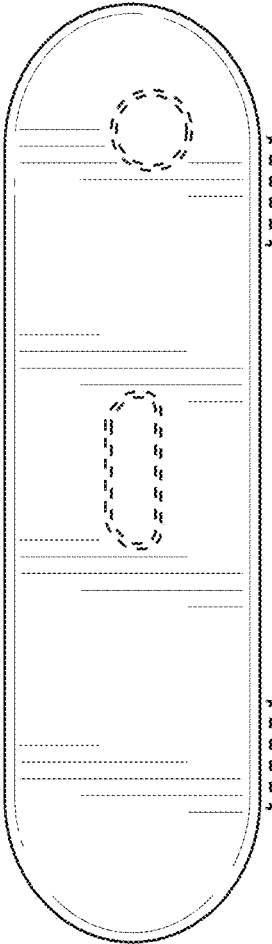


FIG. 4

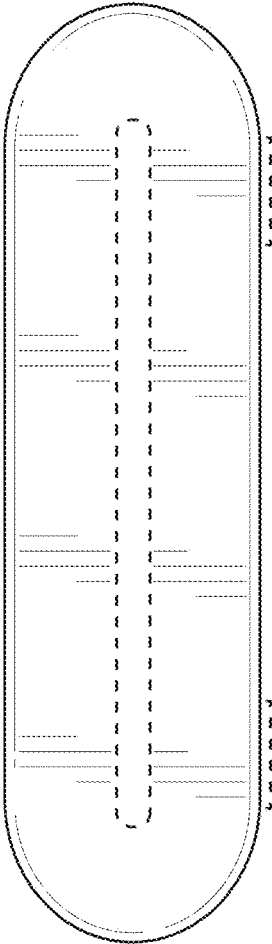


FIG. 5

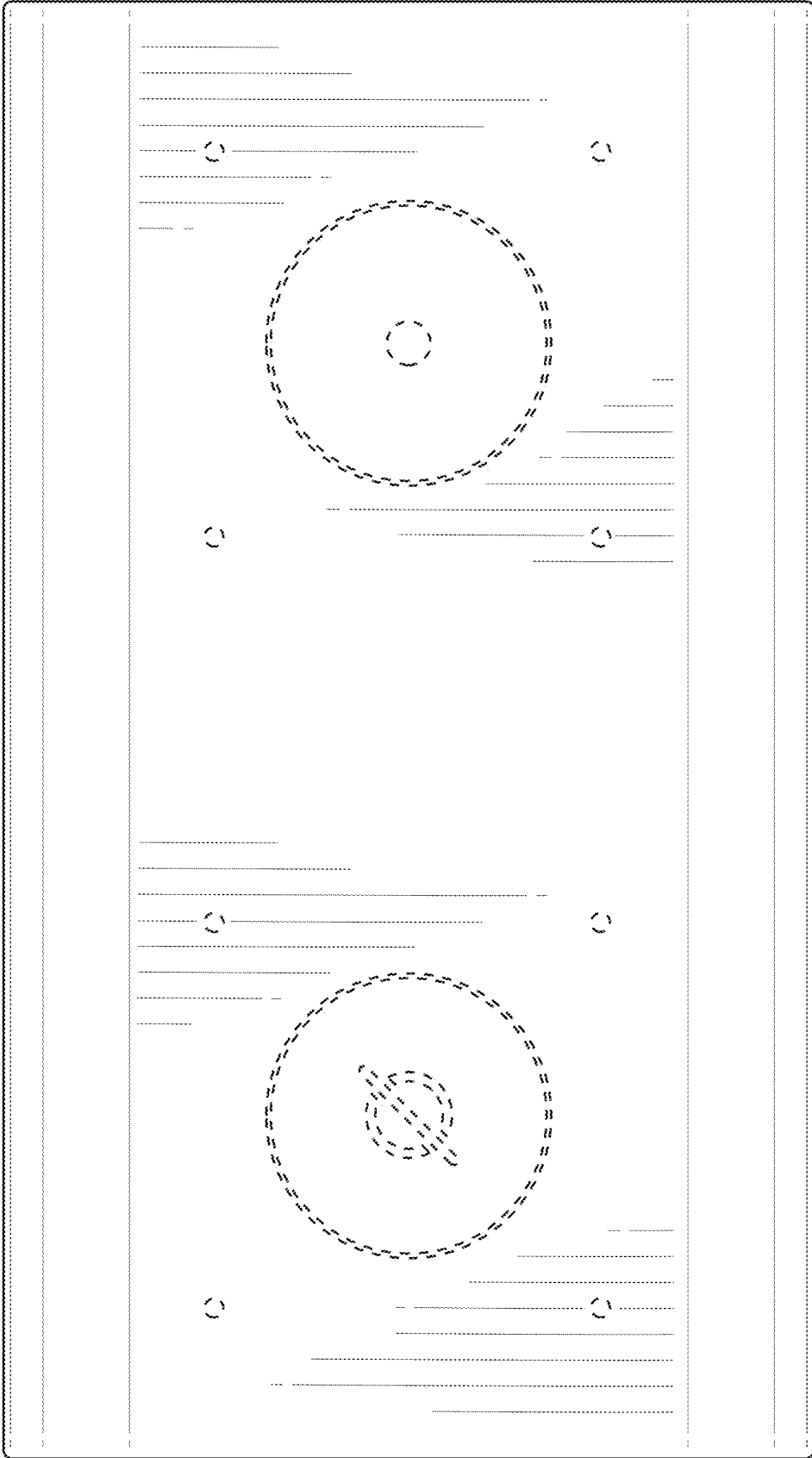


FIG. 6

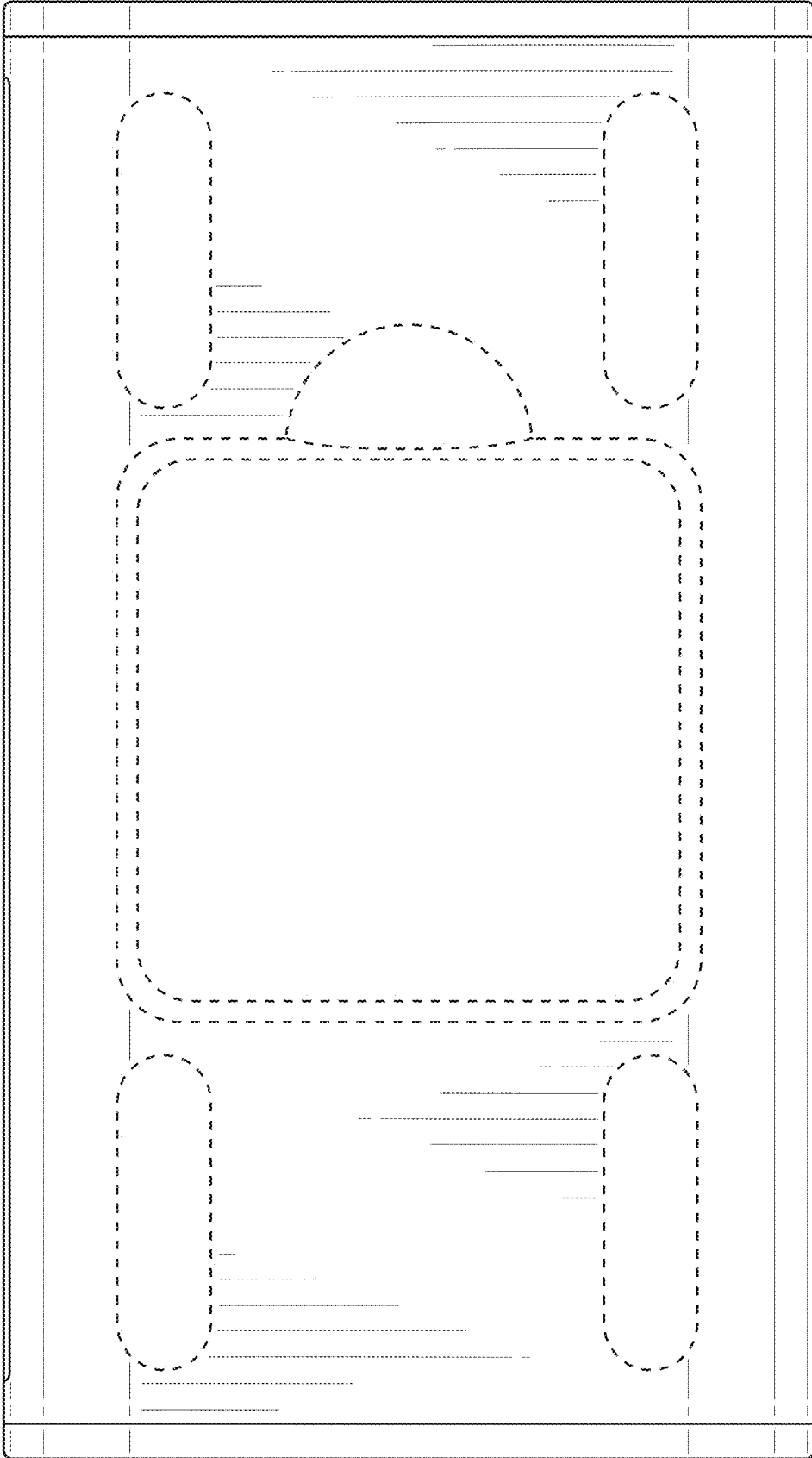


FIG. 7