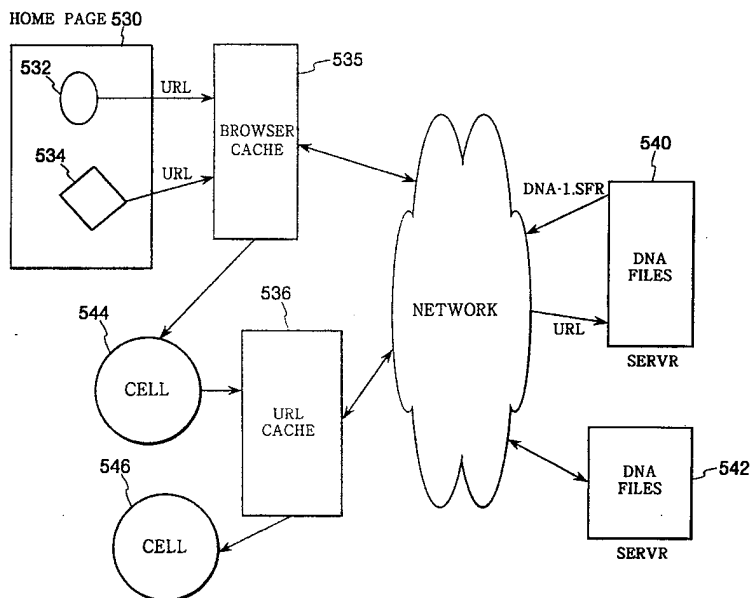




## INTERNATIONAL APPLICATION PUBLISHED UNDER THE PATENT COOPERATION TREATY (PCT)

<p>(51) International Patent Classification <sup>6</sup> : <b>G06F 9/44, 9/46,</b> <b>G09G 1/16, 5/14</b></p>	<b>A3</b>	<p>(11) International Publication Number: <b>WO 98/02823</b></p> <p>(43) International Publication Date: 22 January 1998 (22.01.98)</p>											
<p>(21) International Application Number: PCT/JP97/02435</p> <p>(22) International Filing Date: 14 July 1997 (14.07.97)</p> <p>(30) Priority Data:</p> <table border="0"> <tr> <td>08/679,055</td> <td>12 July 1996 (12.07.96)</td> <td>US</td> </tr> <tr> <td>08/679,202</td> <td>12 July 1996 (12.07.96)</td> <td>US</td> </tr> <tr> <td>08/680,049</td> <td>12 July 1996 (12.07.96)</td> <td>US</td> </tr> <tr> <td>08/680,722</td> <td>12 July 1996 (12.07.96)</td> <td>US</td> </tr> </table> <p>(71) Applicant: SOFMAP FUTURE DESIGN CO., LTD. [JP/JP]; 14-10, Sotokanda 3-chome, Chiyoda-ku, Tokyo 101 (JP).</p> <p>(72) Inventors: TABUCHI, Daisuke; Sofmap Future Design Co., Ltd., 14-10, Sotokanda 3-chome, Chiyoda-ku, Tokyo 101 (JP). SHOJI, Wataru; Sofmap Future Design Co., Ltd., 14-10, Sotokanda 3-chome, Chiyoda-ku, Tokyo 101 (JP). NAKAJIMA, Ichiro; Sofmap Future Design Co., Ltd., 14-10, Sotokanda 3-chome, Chiyoda-ku, Tokyo 101 (JP).</p> <p>(74) Agent: KIMURA, Mitsuru; Kanda-Sakata Building, 6th floor, 5-1, Kandanishiki-cho 2-chome, Chiyoda-ku, Tokyo 101 (JP).</p>	08/679,055	12 July 1996 (12.07.96)	US	08/679,202	12 July 1996 (12.07.96)	US	08/680,049	12 July 1996 (12.07.96)	US	08/680,722	12 July 1996 (12.07.96)	US	<p>(81) Designated States: CN, JP, KR, European patent (DE, GB).</p> <p><b>Published</b> <i>With international search report.</i></p> <p>(88) Date of publication of the international search report: 8 October 1998 (08.10.98)</p>
08/679,055	12 July 1996 (12.07.96)	US											
08/679,202	12 July 1996 (12.07.96)	US											
08/680,049	12 July 1996 (12.07.96)	US											
08/680,722	12 July 1996 (12.07.96)	US											

## (54) Title: PROGRAM MODULES AND PARAMETER FILES IN A NETWORK



## (57) Abstract

Applications consist of run cells that have behavior determined by associated parameter files. Local parameter files are associated with a run cell that is invoked when a user clicks on an associated icon. This cell downloads another parameter file and associates it to a corresponding run cell that has its behavior determined by the downloaded parameter file. The downloaded parameter file is placed in a separate URL cache. Consequently applications are controlled by distributed parameter files.

**FOR THE PURPOSES OF INFORMATION ONLY**

Codes used to identify States party to the PCT on the front pages of pamphlets publishing international applications under the PCT.

AL	Albania	ES	Spain	LS	Lesotho	SI	Slovenia
AM	Armenia	FI	Finland	LT	Lithuania	SK	Slovakia
AT	Austria	FR	France	LU	Luxembourg	SN	Senegal
AU	Australia	GA	Gabon	LV	Latvia	SZ	Swaziland
AZ	Azerbaijan	GB	United Kingdom	MC	Monaco	TD	Chad
BA	Bosnia and Herzegovina	GE	Georgia	MD	Republic of Moldova	TG	Togo
BB	Barbados	GH	Ghana	MG	Madagascar	TJ	Tajikistan
BE	Belgium	GN	Guinea	MK	The former Yugoslav Republic of Macedonia	TM	Turkmenistan
BF	Burkina Faso	GR	Greece			TR	Turkey
BG	Bulgaria	HU	Hungary	ML	Mali	TT	Trinidad and Tobago
BJ	Benin	IE	Ireland	MN	Mongolia	UA	Ukraine
BR	Brazil	IL	Israel	MR	Mauritania	UG	Uganda
BY	Belarus	IS	Iceland	MW	Malawi	US	United States of America
CA	Canada	IT	Italy	MX	Mexico	UZ	Uzbekistan
CF	Central African Republic	JP	Japan	NE	Niger	VN	Viet Nam
CG	Congo	KE	Kenya	NL	Netherlands	YU	Yugoslavia
CH	Switzerland	KG	Kyrgyzstan	NO	Norway	ZW	Zimbabwe
CI	Côte d'Ivoire	KP	Democratic People's Republic of Korea	NZ	New Zealand		
CM	Cameroon			PL	Poland		
CN	China	KR	Republic of Korea	PT	Portugal		
CU	Cuba	KZ	Kazakistan	RO	Romania		
CZ	Czech Republic	LC	Saint Lucia	RU	Russian Federation		
DE	Germany	LI	Liechtenstein	SD	Sudan		
DK	Denmark	LK	Sri Lanka	SE	Sweden		
EE	Estonia	LR	Liberia	SG	Singapore		

# INTERNATIONAL SEARCH REPORT

International Application No  
PCT/JP 97/02435

A. CLASSIFICATION OF SUBJECT MATTER  
IPC 6 G06F9/44 G06F9/46 G09G1/16 G09G5/14

According to International Patent Classification (IPC) or to both national classification and IPC

**B. FIELDS SEARCHED**

Minimum documentation searched (classification system followed by classification symbols)  
IPC 6 G06F G09G

Documentation searched other than minimum documentation to the extent that such documents are included in the fields searched

Electronic data base consulted during the international search (name of data base and, where practical, search terms used)

**C. DOCUMENTS CONSIDERED TO BE RELEVANT**

Category °	Citation of document, with indication, where appropriate, of the relevant passages	Relevant to claim No.
X	SCHILIT B N ET AL: "TeleWeb: Loosely connected access to the World Wide Web" COMPUTER NETWORKS AND ISDN SYSTEMS, vol. 28, no. 11, May 1996, page 1431-1444 XP004018240 see page 1437, left-hand column, line 20 - page 1439, right-hand column, line 21 ---	1,2,4-13
X	NACHBAR D: "WHEN NETWORK FILE SYSTEMS AREN'T ENOUGH: AUTOMATIC SOFTWARE DISTRIBUTION REVISITED" USENIX SUMMER CONFERENCE PROCEEDINGS, 9 June 1986, pages 159-171, XP000576675 see page 161, line 6 - page 164, line 10 --- -/--	1,2,7-12

Further documents are listed in the continuation of box C.

Patent family members are listed in annex.

° Special categories of cited documents :

- \*A\* document defining the general state of the art which is not considered to be of particular relevance
- \*E\* earlier document but published on or after the international filing date
- \*L\* document which may throw doubts on priority claim(s) or which is cited to establish the publication date of another citation or other special reason (as specified)
- \*O\* document referring to an oral disclosure, use, exhibition or other means
- \*P\* document published prior to the international filing date but later than the priority date claimed

- \*T\* later document published after the international filing date or priority date and not in conflict with the application but cited to understand the principle or theory underlying the invention
- \*X\* document of particular relevance; the claimed invention cannot be considered novel or cannot be considered to involve an inventive step when the document is taken alone
- \*Y\* document of particular relevance; the claimed invention cannot be considered to involve an inventive step when the document is combined with one or more other such documents, such combination being obvious to a person skilled in the art.
- \*&\* document member of the same patent family

2

Date of the actual completion of the international search  <p style="text-align: center; font-size: 1.2em;">27 March 1998</p>	Date of mailing of the international search report  <p style="text-align: center; font-size: 1.2em;">14.04.98</p>
Name and mailing address of the ISA European Patent Office, P.B. 5818 Patentlaan 2 NL - 2280 HV Rijswijk Tel. (+31-70) 340-2040, Tx. 31 651 epo nl, Fax: (+31-70) 340-3016	Authorized officer  <p style="text-align: center; font-size: 1.2em;">Kingma, Y</p>

## INTERNATIONAL SEARCH REPORT

International Application No

PCT/JP 97/02435

## C.(Continuation) DOCUMENTS CONSIDERED TO BE RELEVANT

Category °	Citation of document, with indication, where appropriate, of the relevant passages	Relevant to claim No.
A	DINGLE A ET AL: "Web cache coherence" COMPUTER NETWORKS AND ISDN SYSTEMS, vol. 28, no. 11, May 1996, page 907-920 XP004018195 see page 908, right-hand column, line 34 - page 909, right-hand column, line 37 ---	1,2,4,5, 7,8, 10-14
X	EP 0 513 553 A (COMMODORE ELECTRONICS LTD) 19 November 1992	15-21
Y	see column 13, line 30 - column 24, line 26; figures 5,9 ---	22-24
A	HIROYUKI TARUMI ET AL: "CANAE - A USER INTERFACE CONSTRUCTION ENVIRONMENT WITH EDITORS AS SOFTWARE PARTS" NEC RESEARCH AND DEVELOPMENT, no. 98, 1 July 1990, pages 89-97, XP000166136	15,16
Y	see abstract see page 89, right-hand column, line 14 - page 92, right-hand column, line 12 ---	22-24
A	WO 94 28480 A (IMAGINE MULTIMEDIA INC) 8 December 1994 see abstract; claims 1,3,6,7; figures 2,3,14,15 see page 11, line 5 - page 16, line 10 ---	15-24
X	US 5 519 875 A (YOKOYAMA TAKANORI ET AL) 21 May 1996 see column 2, line 36 - column 3, line 14; claims 1,2,5,6; figures 5,6,8,9,12,13 see figures 16,17 ---	25-27, 30-34,36
X	EP 0 592 091 A (IBM) 13 April 1994  see abstract; claims 1-5,7; figure 4 ---	25-29, 32-36
A	"THE TOURING MACHINE SYSTEM" COMMUNICATIONS OF THE ASSOCIATION FOR COMPUTING MACHINERY, vol. 36, no. 1, 1 January 1993, pages 68-77, XP000334253 see page 71, right-hand column, line 59 - page 75, middle column, line 1 ---	25,32
X	EP 0 121 015 A (IBM) 10 October 1984 see abstract; figure 2 see page 14, line 26 - page 17, line 14 see page 24, line 6 - page 26, line 3; claims 4,6,12,13 -----	37-46

2

# INTERNATIONAL SEARCH REPORT

International application No.  
PCT/JP 97/02435

## Box I Observations where certain claims were found unsearchable (Continuation of item 1 of first sheet)

This International Search Report has not been established in respect of certain claims under Article 17(2)(a) for the following reasons:

1.  Claims Nos.:  
because they relate to subject matter not required to be searched by this Authority, namely:
  
2.  Claims Nos.:  
because they relate to parts of the International Application that do not comply with the prescribed requirements to such an extent that no meaningful International Search can be carried out, specifically:
  
3.  Claims Nos.:  
because they are dependent claims and are not drafted in accordance with the second and third sentences of Rule 6.4(a).

## Box II Observations where unity of invention is lacking (Continuation of item 2 of first sheet)

This International Searching Authority found multiple inventions in this international application, as follows:

see additional sheet

1.  As all required additional search fees were timely paid by the applicant, this International Search Report covers all searchable claims.
2.  As all searchable claims could be searched without effort justifying an additional fee, this Authority did not invite payment of any additional fee.
3.  As only some of the required additional search fees were timely paid by the applicant, this International Search Report covers only those claims for which fees were paid, specifically claims Nos.:
4.  No required additional search fees were timely paid by the applicant. Consequently, this International Search Report is restricted to the invention first mentioned in the claims; it is covered by claims Nos.:

### Remark on Protest

- The additional search fees were accompanied by the applicant's protest.
- No protest accompanied the payment of additional search fees.

**FURTHER INFORMATION CONTINUED FROM PCT/ISA/ 210**

1. Claims: 1-14

Program modules and parameter files in a network

2. Claims: 15-24

Method to design a GUI based application

3. Claims: 25-36

Communication of object oriented classes

4. Claims: 37-46

Method to scroll a text image

# INTERNATIONAL SEARCH REPORT

Information on patent family members

International Application No PCT/JP 97/02435
-------------------------------------------------

Patent document cited in search report	Publication date	Patent family member(s)	Publication date
EP 0513553 A	19-11-92	US 5317732 A CA 2064508 A JP 6059854 A US 5574843 A	31-05-94 27-10-92 04-03-94 12-11-96
-----			
WO 9428480 A	08-12-94	AU 7093394 A	20-12-94
-----			
US 5519875 A	21-05-96	JP 5046569 A JP 5046570 A	26-02-93 26-02-93
-----			
EP 0592091 A	13-04-94	US 5396630 A CA 2098417 A JP 2572531 B JP 7141206 A	07-03-95 07-04-94 16-01-97 02-06-95
-----			
EP 0121015 A	10-10-84	JP 1502508 C JP 59184935 A JP 63055084 B US 4642790 A	28-06-89 20-10-84 01-11-88 10-02-87
-----			