



US00D722591S

(12) **United States Design Patent**
Son et al.

(10) **Patent No.:** **US D722,591 S**

(45) **Date of Patent:** **** Feb. 17, 2015**

(54) **HEADPHONE**

(71) Applicant: **LG Electronics Inc.**, Seoul (KR)

(72) Inventors: **Sanghyeun Son**, Incheon (KR); **Ilsoo Yeom**, Seoul (KR); **Nari Lee**, Seoul (KR)

(73) Assignee: **LG Electronics Inc.**, Seoul (KR)

(**) Term: **14 Years**

(21) Appl. No.: **29/481,294**

(22) Filed: **Feb. 4, 2014**

(30) **Foreign Application Priority Data**

Aug. 9, 2013 (KR) 30-2013-0041293

(51) **LOC (10) Cl.** **14-01**

(52) **U.S. Cl.**
USPC **D14/205**

(58) **Field of Classification Search**
CPC H04R 1/1066
USPC D14/205, 206, 188, 192; D29/112;
2/209; 379/430, 431; 381/380, 381,
381/374, 370, 371, 376; 455/90.3, 575.1
See application file for complete search history.

(56) **References Cited**

U.S. PATENT DOCUMENTS

3,810,525	A *	5/1974	Crenna	181/129
D244,300	S *	5/1977	Besasie	D14/205
4,689,822	A *	8/1987	Houng	381/379
D345,162	S *	3/1994	Yamatogi	D14/205
D351,172	S *	10/1994	Nakamura et al.	D14/205
D402,659	S *	12/1998	Suzuki	D14/215
6,081,604	A *	6/2000	Hikichi et al.	381/371
D468,723	S *	1/2003	Pham et al.	D14/205

6,654,966	B2 *	12/2003	Rolla	2/209
6,724,906	B2 *	4/2004	Naksen et al.	381/379
D494,154	S *	8/2004	Polito	D14/206
D512,981	S *	12/2005	Jacobson et al.	D14/205
6,993,143	B2 *	1/2006	Harris et al.	381/379
7,072,483	B2 *	7/2006	Lenhard-Backhaus	381/383
7,424,125	B2 *	9/2008	Amae et al.	381/374
D591,263	S *	4/2009	Shimizu	D14/205
D600,674	S *	9/2009	Brennwald	D14/205
D625,705	S *	10/2010	Ohuri et al.	D14/205
D632,668	S *	2/2011	Brunner et al.	D14/205
D657,344	S *	4/2012	Brunner et al.	D14/205
D657,345	S *	4/2012	Brunner et al.	D14/205
D660,824	S *	5/2012	Hardi et al.	D14/205
D661,683	S *	6/2012	Frey	D14/205
D674,767	S *	1/2013	Brunner et al.	D14/205
D689,463	S *	9/2013	Hardi et al.	D14/205
D702,210	S *	4/2014	Birger	D14/205
8,818,011	B2 *	8/2014	Chen	381/379
D713,817	S *	9/2014	Paterson et al.	D14/205

* cited by examiner

Primary Examiner — Paula Greene

(74) *Attorney, Agent, or Firm* — Morgan, Lewis & Bockius LLP

(57) **CLAIM**

The ornamental design for a headphone, as shown and described.

DESCRIPTION

FIG. 1 is a front, right side, perspective view of a headphone showing our new design;
FIG. 2 is a front view thereof;
FIG. 3 is a rear view thereof;
FIG. 4 is a left side view thereof;
FIG. 5 is a right side view thereof;
FIG. 6 is a top view thereof; and,
FIG. 7 is a bottom view thereof.

1 Claim, 6 Drawing Sheets

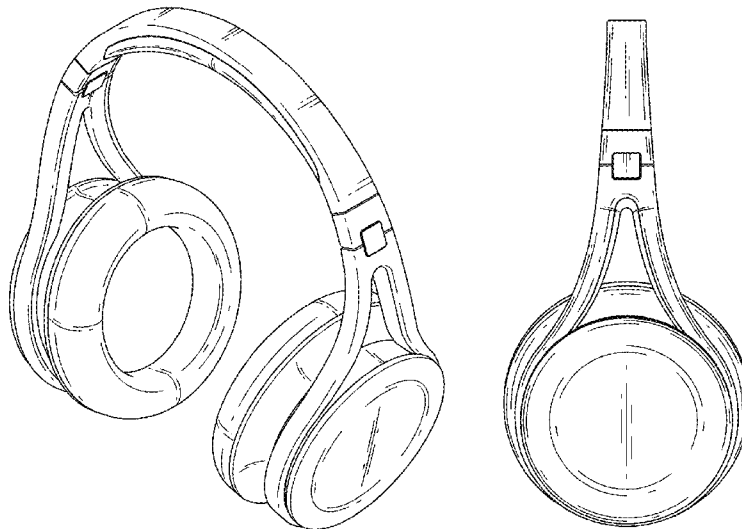


FIG. 1

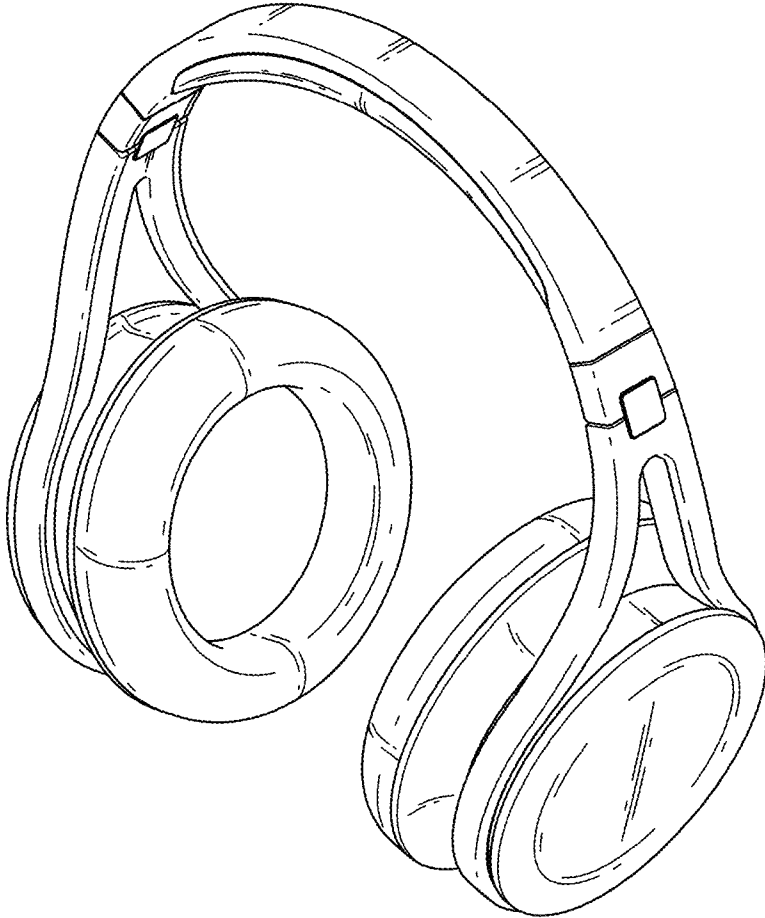


FIG. 2



FIG. 3

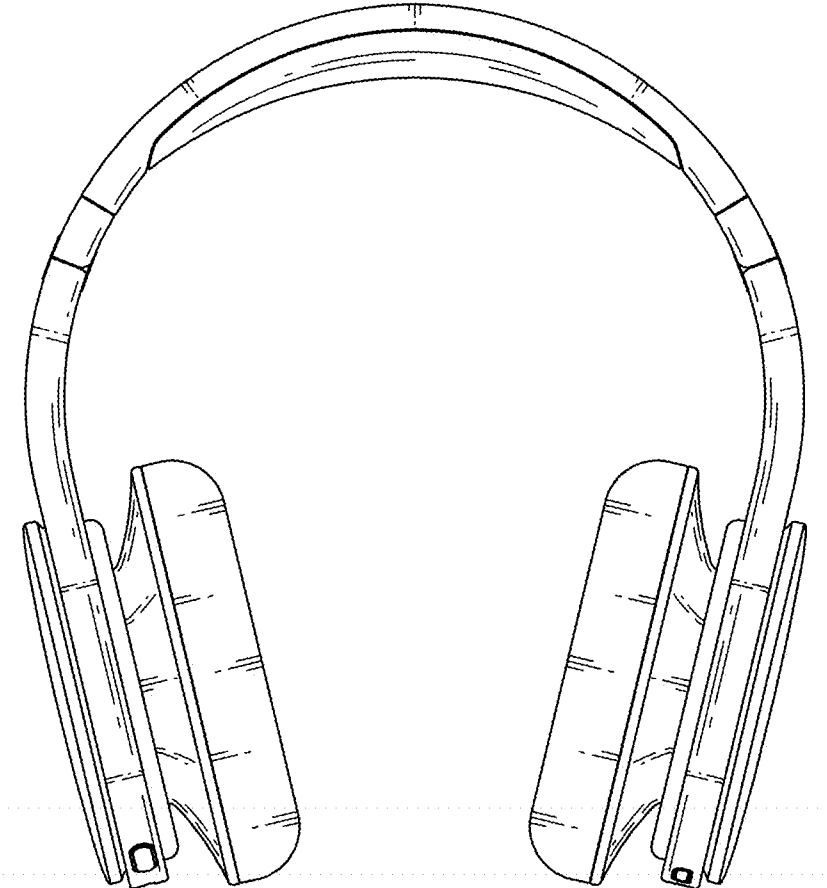


FIG. 4

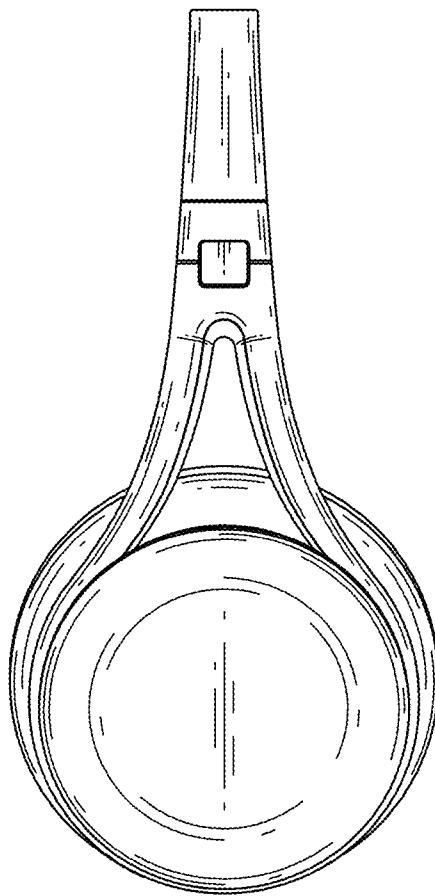


FIG. 5

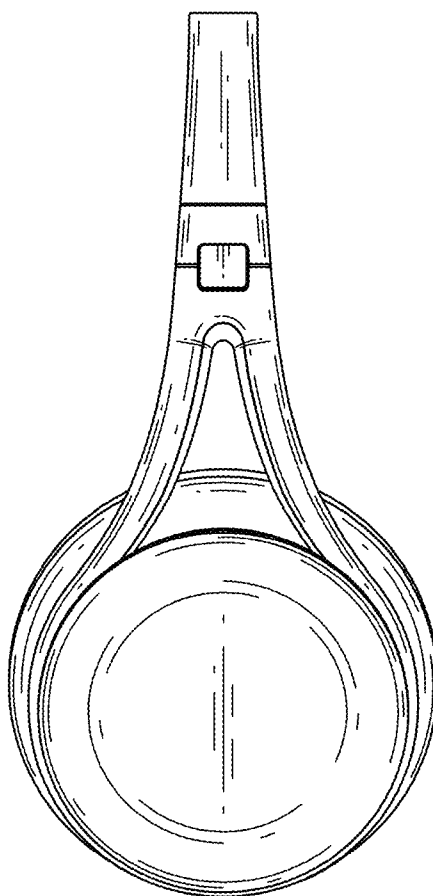


FIG. 6

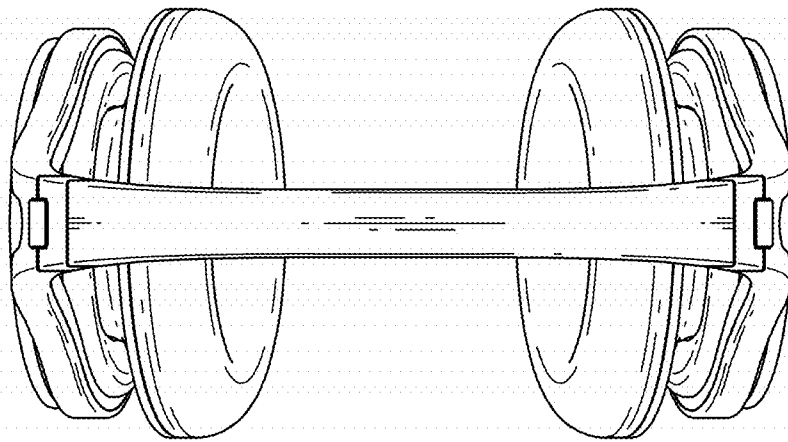


FIG. 7

