



US00D661298S

(12) **United States Design Patent**
Park et al.

(10) **Patent No.:** **US D661,298 S**

(45) **Date of Patent:** **** *Jun. 5, 2012**

(54) **NOTEBOOK COMPUTER**
(75) Inventors: **Ji-Sang Park**, Yongin (KR); **Yeo-Wan Yun**, Seongnam (KR)
(73) Assignee: **Samsung Electronics Co., Ltd.**, Suwon (KR)
(*) Notice: This patent is subject to a terminal disclaimer.
(**) Term: **14 Years**

D523,431 S 6/2006 Yoon
D523,851 S 6/2006 Jeong et al.
D523,852 S 6/2006 Kim et al.
D524,306 S 7/2006 Yun et al.
D524,307 S 7/2006 Kim et al.
D535,652 S 1/2007 Lee et al.
D547,309 S 7/2007 Yoon
D547,310 S 7/2007 Yoon
D556,192 S 11/2007 Jeong et al.
D564,511 S * 3/2008 Akhtar D14/318
D567,236 S 4/2008 Yoon
D578,523 S 10/2008 Yoon
D578,524 S 10/2008 Yoon

(Continued)

(21) Appl. No.: **29/393,983**

FOREIGN PATENT DOCUMENTS

(22) Filed: **Jun. 10, 2011**

KR 3005506890000 1/2010

(Continued)

(30) **Foreign Application Priority Data**

Jan. 13, 2011 (KR) 30-2011-0001465

(51) **LOC (9) Cl.** **14-02**

(52) **U.S. Cl.** **D14/327**

(58) **Field of Classification Search** D14/315-328;
D18/1, 2, 7, 11; 235/145 A, 145 R; 341/22,
341/23; 345/104, 156, 168, 169, 173, 87,
345/901-905; 361/679.08-679.18, 679.27;
400/486, 489

See application file for complete search history.

OTHER PUBLICATIONS

U.S. Appl. No. 29/370,831, Applicant: Seung-Ho Jung, et al., filed Sep. 10, 2010 entitled Notebook Computer.

(Continued)

Primary Examiner — Freda S Nunn
(74) *Attorney, Agent, or Firm* — Wood, Herron & Evans, LLP

(57) **CLAIM**
The ornamental design for a notebook computer, as shown and described.

(56) **References Cited**

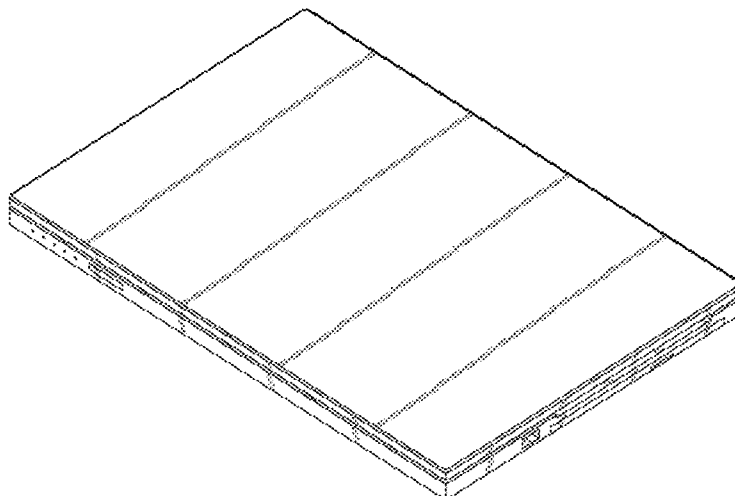
U.S. PATENT DOCUMENTS

D332,944 S 2/1993 Kim
D334,738 S 4/1993 Kim
D335,870 S 5/1993 Yun
D336,465 S 6/1993 Kim
D338,457 S 8/1993 Kim
D348,442 S 7/1994 Yoon
D416,238 S * 11/1999 Irie et al. D14/318
6,067,224 A * 5/2000 Nobuchi 361/679.27
6,259,597 B1 * 7/2001 Anzai et al. 361/679.55
D463,797 S * 10/2002 Andre et al. D14/327
6,519,139 B2 * 2/2003 Kambayashi 361/679.09
D492,678 S 7/2004 Kim et al.
D523,010 S 6/2006 Paek et al.

DESCRIPTION

FIG. 1 is a top front perspective view of a notebook computer showing our new design;
FIG. 2 is a front elevational view thereof;
FIG. 3 is a rear elevational view thereof;
FIG. 4 is a left side elevational view thereof;
FIG. 5 is a right side elevational view thereof;
FIG. 6 is a top plan view thereof; and,
FIG. 7 is a bottom plan view thereof.

1 Claim, 4 Drawing Sheets



US D661,298 S

U.S. PATENT DOCUMENTS

D578,525	S	10/2008	Yoon	
D580,432	S	11/2008	Yun et al.	
D586,343	S	2/2009	Lee et al.	
D586,796	S	2/2009	Lee et al.	
D586,797	S	2/2009	Kawase et al.	
D587,701	S	3/2009	Yoon	
7,542,284	B1*	6/2009	Wilson, Sr.	361/679.45
D596,633	S	7/2009	Kawase et al.	
D601,138	S*	9/2009	Solomon et al.	D14/315
D603,391	S	11/2009	Song et al.	
D603,392	S	11/2009	Jeong et al.	
D603,393	S	11/2009	Paek	
D603,394	S	11/2009	Lee	
D603,395	S	11/2009	Hong et al.	
D603,861	S	11/2009	Hong et al.	
D604,291	S*	11/2009	Andre et al.	D14/315
D606,067	S	12/2009	Yoon	
D606,068	S	12/2009	Hong et al.	
D606,069	S	12/2009	Heck et al.	
D606,070	S	12/2009	Heck et al.	
D606,534	S	12/2009	Hong et al.	
D608,777	S	1/2010	Yoon	
D611,468	S	3/2010	Yun et al.	
D614,614	S	4/2010	Yoon	
D614,615	S	4/2010	Yoon	
D622,268	S	8/2010	Hong et al.	
D626,543	S	11/2010	Hagen	
D627,341	S	11/2010	Yoon	
D627,773	S	11/2010	Paek	
D628,195	S	11/2010	Yoon	
D631,040	S	1/2011	Yoon et al.	
D631,471	S	1/2011	Jensen et al.	
D631,472	S	1/2011	Kawase et al.	
D631,473	S	1/2011	Lee et al.	
D631,878	S	2/2011	Jensen et al.	
D631,879	S	2/2011	Kawase	
D633,487	S	3/2011	Kim et al.	
D633,488	S	3/2011	Kim et al.	
D633,489	S	3/2011	Kim et al.	
D633,490	S	3/2011	Kim et al.	
2003/0151888	A1*	8/2003	Chien et al.	361/680
2005/0018396	A1*	1/2005	Nakajima et al.	361/683
2005/0041378	A1*	2/2005	Hamada et al.	361/680

FOREIGN PATENT DOCUMENTS

KR	3005544080000	3/2010
KR	3005639120000	6/2010
KR	3005639130000	6/2010
KR	3005942330000	4/2011
KR	3005958550000	4/2011
KR	3006013110001	6/2011
KR	3006013130000	6/2011
KR	3006013160000	6/2011
KR	3006013170000	6/2011
KR	3006052790000	7/2011
KR	3006052810000	7/2011
KR	3006052820000	7/2011
KR	3006052830000	7/2011
KR	3006063210000	7/2011
KR	3006064090000	7/2011
KR	3006083610000	8/2011

KR	3006083630000	8/2011
KR	3006083710000	8/2011
KR	3006085180000	8/2011

OTHER PUBLICATIONS

U.S. Appl. No. 29/349,008, Applicant: Se-O Lee, et al., filed Mar. 2, 2010 entitled Net Book.

U.S. Appl. No. 29/349,010, Applicant: Seung-Hyun Paek, et al., filed Mar. 2, 2010 entitled Net Book.

U.S. Appl. No. 29/349,022, Applicant: Sang-Won Yoon, et al., filed Mar. 2, 2010 entitled Net Book.

U.S. Appl. No. 29/349,397, Applicant: Atsushi Kawase, filed Mar. 31, 2010 entitled Net Book.

U.S. Appl. No. 29/349,402, Applicant: Atsushi Kawase, filed Mar. 31, 2010 entitled Note Book.

U.S. Appl. No. 29/349,403, Applicant: Atsushi Kawase, filed Mar. 31, 2010 entitled Net Book.

U.S. Appl. No. 29/370,568, Applicant: Felix Heck, et al., filed Aug. 5, 2010 entitled Netbook Computer.

U.S. Appl. No. 29/370,567, Applicant: Sang-Won Yoon, et al., filed Aug. 5, 2010 entitled Notebook Computer.

U.S. Appl. No. 29/372,114, Applicant: Ji-Hyun Moon, et al., filed Oct. 15, 2010 entitled Notebook Computer.

U.S. Appl. No. 29/370,053, Applicant: Chung-Ha Kim, et al., filed Feb. 23, 2011 entitled Notebook Computer.

U.S. Appl. No. 29/390,400, Applicant: Lee, et al., filed Apr. 25, 2011 entitled Notebook Computer.

U.S. Appl. No. 29/390,401, Applicant: Lee, et al., filed Apr. 25, 2011 entitled Notebook Computer.

U.S. Appl. No. 29/390,415, Applicant: Kim, et al., filed Apr. 25, 2011 entitled Notebook Computer.

U.S. Appl. No. 29/390,437, Applicant: Kim, et al., filed Apr. 25, 2011 entitled Notebook Computer.

U.S. Appl. No. 29/390,418, Applicant: Kim, et al., filed Apr. 25, 2011 entitled Notebook Computer.

U.S. Appl. No. 29/390,440, Applicant: Kim, et al., filed Apr. 25, 2011 entitled Cradle for Notebook Computer.

U.S. Appl. No. 29/390,448, Applicant: Lee, et al., filed Apr. 25, 2011 entitled Battery for Notebook Computer.

U.S. Appl. No. 29/390,450, Applicant: Lee, et al., filed Apr. 25, 2011 entitled Notebook Computer.

U.S. Appl. No. 29/390,455, Applicant: Kim, et al., filed Apr. 25, 2011 entitled Netbook Computer.

U.S. Appl. No. 29/390,460, Applicant: Park, et al., filed Apr. 25, 2011 entitled Notebook Computer.

U.S. Appl. No. 29/390,465, Applicant: Lee, et al., filed Apr. 25, 2011 entitled Notebook Computer.

U.S. Appl. No. 29/393,979, Applicant: Park, et al., filed Jun. 10, 2011 entitled Notebook Computer.

U.S. Appl. No. 29/393,980, Applicant: Park, et al., filed Jun. 10, 2011 entitled Notebook Computer.

U.S. Appl. No. 29/396,993, Applicant: Kim, et al., filed Jul. 11, 2011 entitled Notebook Computer.

U.S. Appl. No. 29/397,032, Applicant: Kim, et al., filed Jul. 11, 2011 entitled Notebook Computer.

U.S. Appl. No. 29/397,034, Applicant: Kim, et al., filed Jul. 11, 2011 entitled Notebook Computer.

U.S. Appl. No. 29/397,064, Applicant: Fukusawa, et al., filed Jul. 11, 2011 entitled Notebook Computer.

U.S. Appl. No. 29/397,041, Applicant: Ryu et al., filed Jul. 11, 2011 entitled Netbook Computer.

* cited by examiner

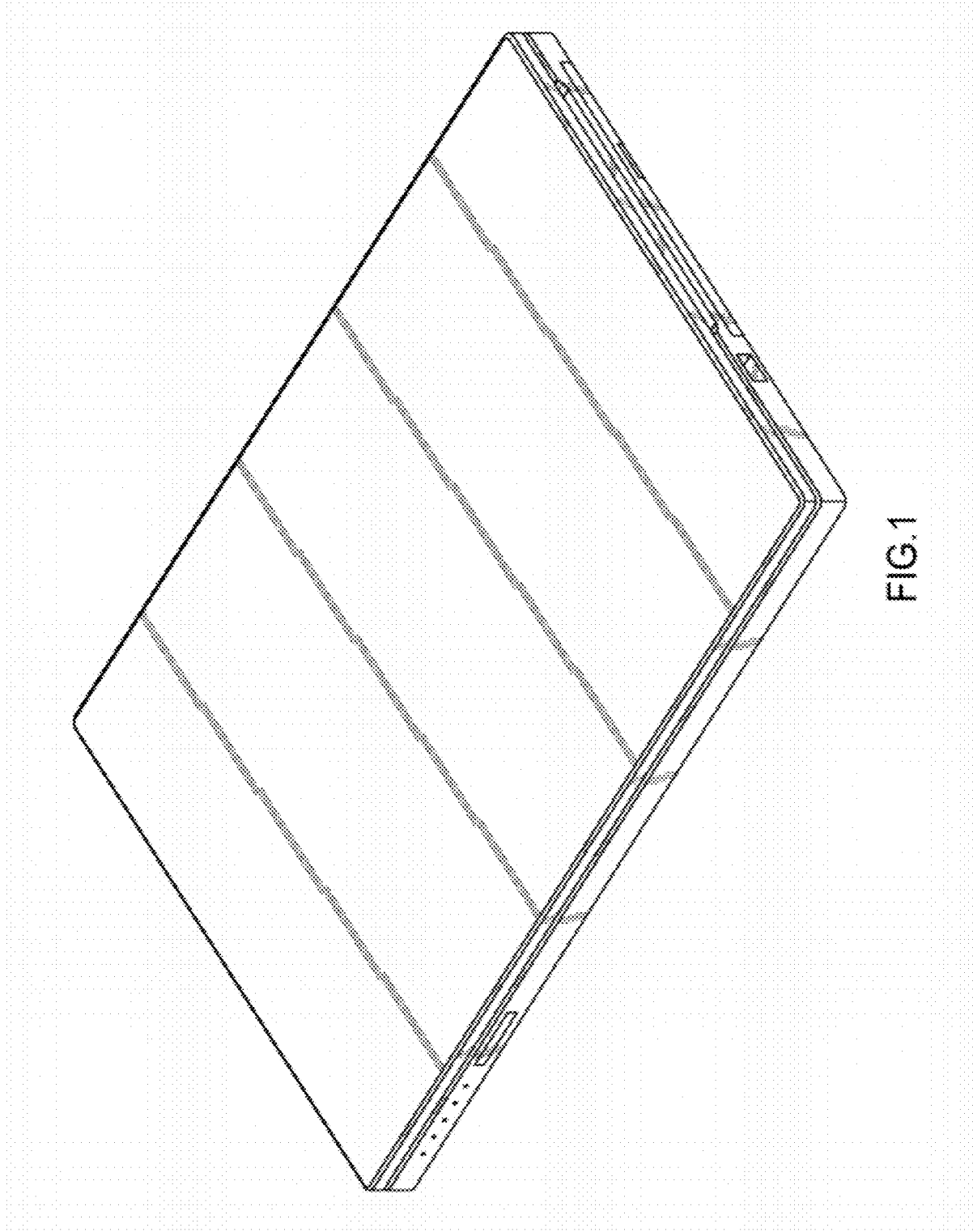


FIG.1

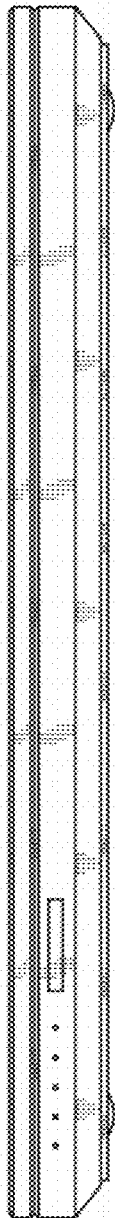


FIG. 2

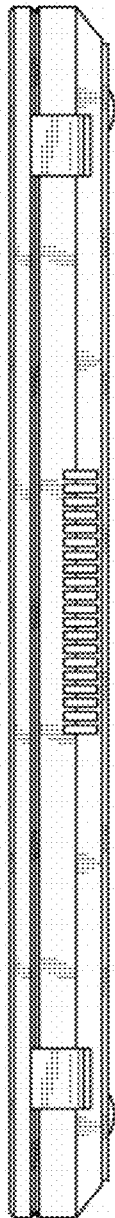


FIG. 3



FIG. 4

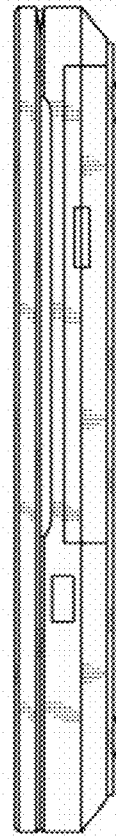


FIG. 5

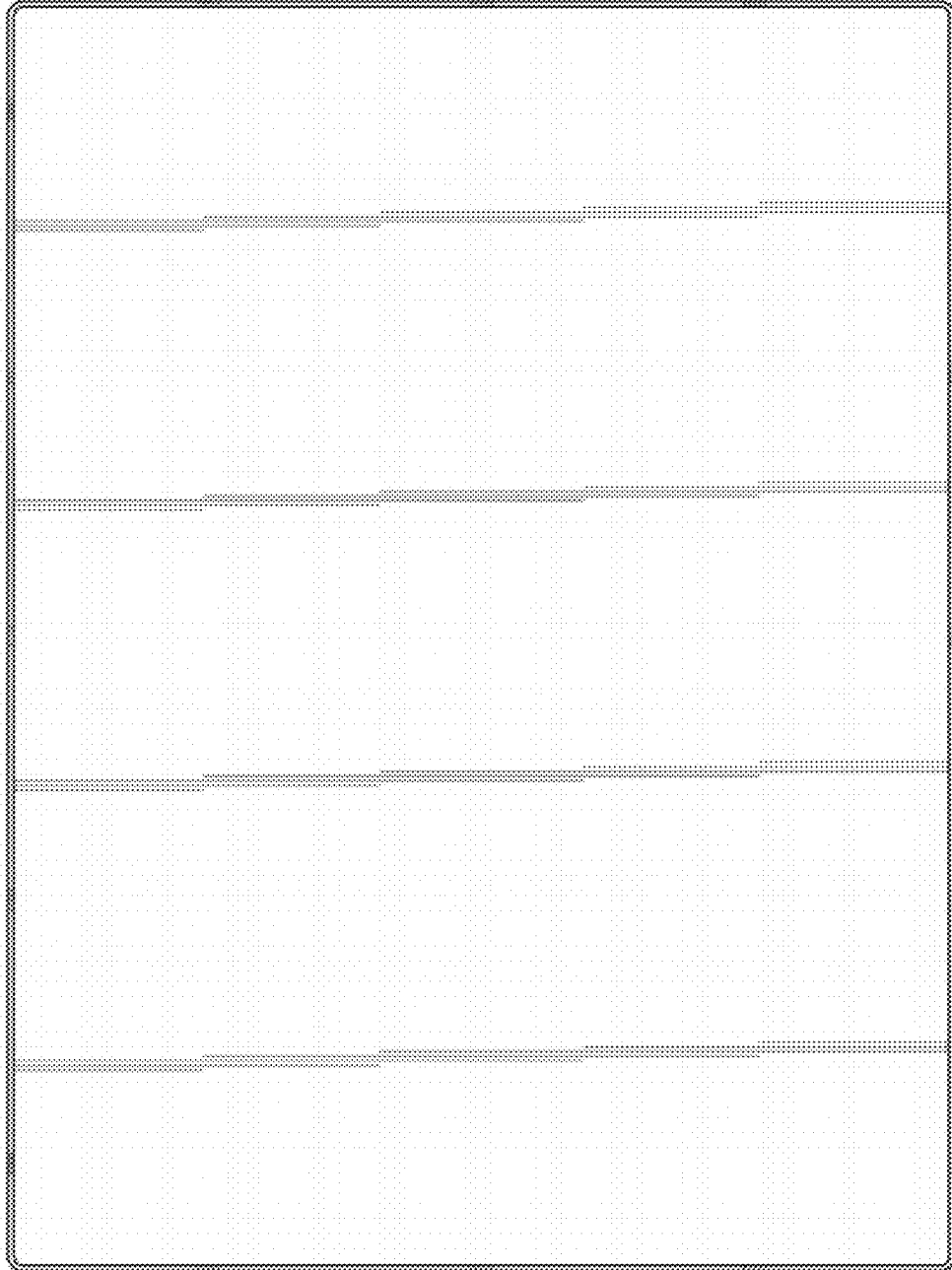


FIG.6

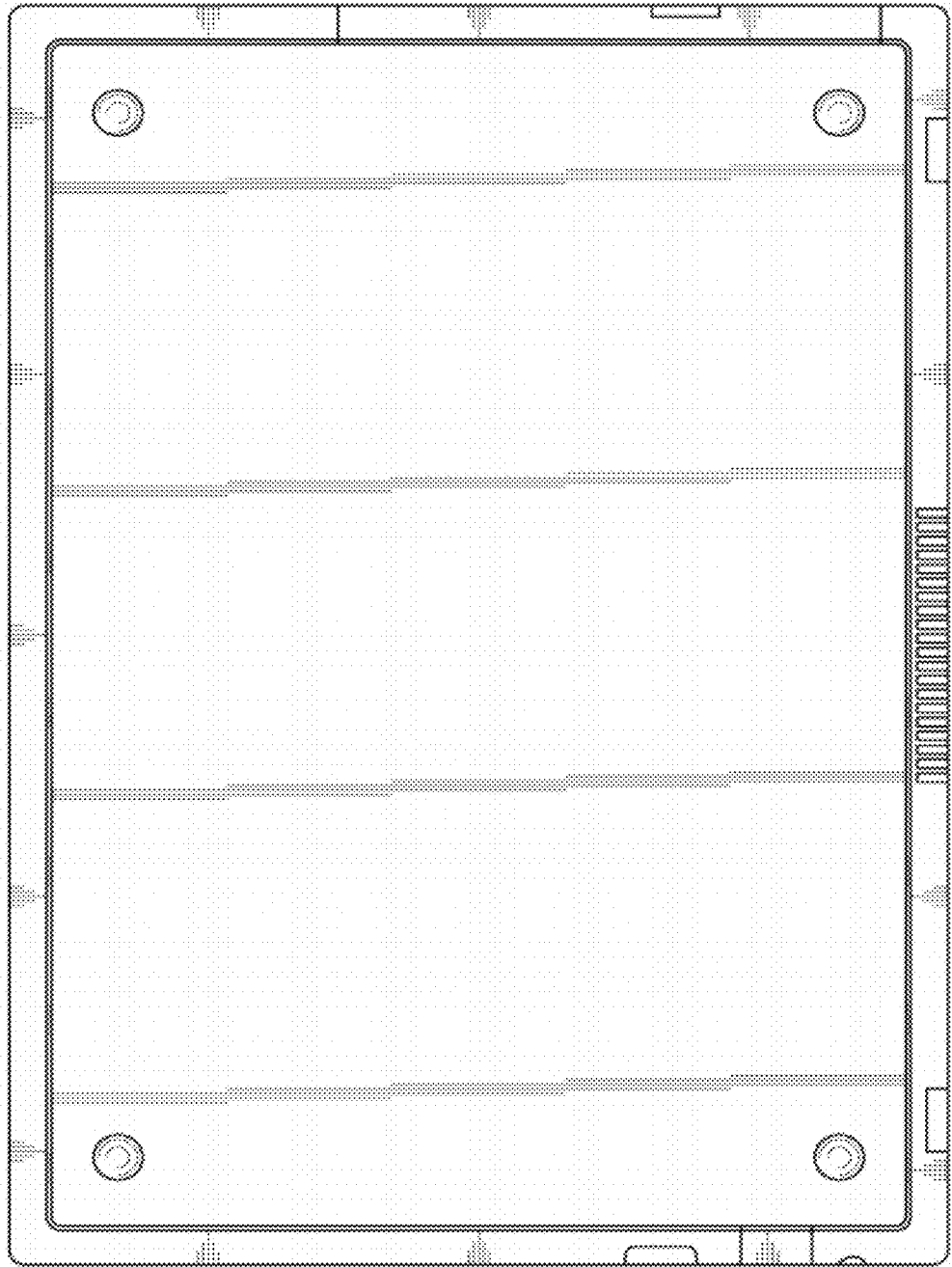


FIG.7