

(19) World Intellectual Property Organization
International Bureau



(43) International Publication Date
13 December 2007 (13.12.2007)

PCT

(10) International Publication Number
WO 2007/143283 A3

- (51) International Patent Classification:
H02J 7/00 (2006.01)
- (21) International Application Number:
PCT/US2007/066784
- (22) International Filing Date: 17 April 2007 (17.04.2007)
- (25) Filing Language: English
- (26) Publication Language: English
- (30) Priority Data:
60/796,117 28 April 2006 (28.04.2006) US
11/690,068 22 March 2007 (22.03.2007) US

(81) Designated States (unless otherwise indicated, for every kind of national protection available): AE, AG, AL, AM, AT, AU, AZ, BA, BB, BG, BH, BR, BW, BY, BZ, CA, CH, CN, CO, CR, CU, CZ, DE, DK, DM, DZ, EC, EE, EG, ES, FI, GB, GD, GE, GH, GM, GT, HN, HR, HU, ID, IL, IN, IS, JP, KE, KG, KM, KN, KP, KR, KZ, LA, LC, LK, LR, LS, LT, LU, LY, MA, MD, ME, MG, MK, MN, MW, MX, MY, MZ, NA, NG, NI, NO, NZ, OM, PG, PH, PL, PT, RO, RS, RU, SC, SD, SE, SG, SK, SL, SM, SV, SY, TJ, TM, TN, TR, TT, TZ, UA, UG, US, UZ, VC, VN, ZA, ZM, ZW.

(71) Applicant (for all designated States except US): ACCO BRANDS USA LLC [US/US]; 300 Tower Parkway, Lincolnshire, IL 60069 (US).

(84) Designated States (unless otherwise indicated, for every kind of regional protection available): ARIPO (BW, GH, GM, KE, LS, MW, MZ, NA, SD, SL, SZ, TZ, UG, ZM, ZW), Eurasian (AM, AZ, BY, KG, KZ, MD, RU, TJ, TM), European (AT, BE, BG, CH, CY, CZ, DE, DK, EE, ES, FI, FR, GB, GR, HU, IE, IS, IT, LT, LU, LV, MC, MT, NL, PL, PT, RO, SE, SI, SK, TR), OAPI (BF, BJ, CF, CG, CI, CM, GA, GN, GQ, GW, ML, MR, NE, SN, TD, TG).

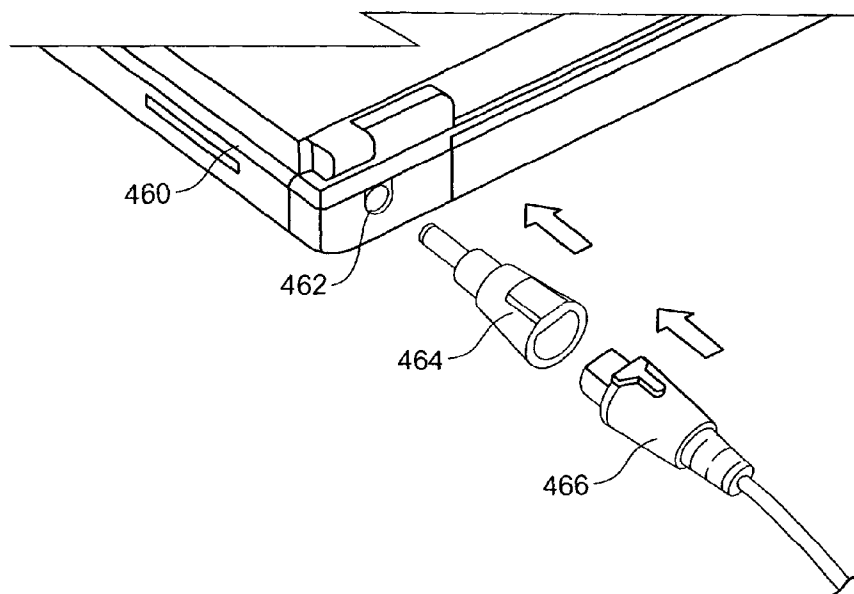
(72) Inventor; and
(75) Inventor/Applicant (for US only): MAHAFFEY, Robert [ZA/CA]; 990 West 58th Avenue, Vancouver, British Columbia, V6P 6Y3 (CA).

Published:
— with international search report
— before the expiration of the time limit for amending the claims and to be republished in the event of receipt of amendments

(74) Agents: JEWIK, Patricik, R. et al.; TOWNSEND and TOWNSEND and CREW LLP, Two Embarcadero Center, 8th Floor, San Francisco, CA 94111-3834 (US).

(88) Date of publication of the international search report:
17 April 2008

(54) Title: POWER SUPPLY SYSTEM



(57) Abstract: A power supply system. The power supply system may have a power circuit having a switch and adapted to generate a first output voltage and a second output voltage, depending on the state of the switch. It also includes an output connector coupled to the power circuit, where the output connector includes a plurality of electrical contacts including a first electrical contact and a second electrical contact. A voltage output indicator device is coupled to the first and second electrical contacts. The voltage output indicator device indicates that the power circuit is producing the first output voltage or the second output voltage, so that the user is aware of the voltage being output by the power supply system.

WO 2007/143283 A3

INTERNATIONAL SEARCH REPORT

International application No.

PCT/US07/66784

A. CLASSIFICATION OF SUBJECT MATTER IPC(8) - H02J 7/00 (2007.01) USPC - 320/125 According to International Patent Classification (IPC) or to both national classification and IPC		
B. FIELDS SEARCHED Minimum documentation searched (classification system followed by classification symbols) IPC(8) - H02J 7/00 (2007.01) USPC - 320/125 Documentation searched other than minimum documentation to the extent that such documents are included in the fields searched Electronic data base consulted during the international search (name of data base and, where practicable, search terms used) PatBase, Google, Google Patents		
C. DOCUMENTS CONSIDERED TO BE RELEVANT		
Category*	Citation of document, with indication, where appropriate, of the relevant passages	Relevant to claim No.
X ---	US 6,628,535 B1 (WU) 30 September 2003 (30.09.2003) entire document	1-5, 6-7, 10-12 ----- 8-9
X ---	US 2005/0173989 A1 (WU) 11 August 2005 (11.08.2005) entire document	13-18, 21-25 ----- 19-20
Y	US 2005/0285547 A1 (PIEPGRAS) 29 December 2005 (29.12.2005) entire document	8
Y	US 4,593,346 A (NOOIJEN et al) 03 June 1986 (03.06.1986) entire document	9, 20
Y	POWERSTREAM TECHNOLOGY (author unknown) High Quality Automobile to Laptop DC/DC Converter. 06 February 2006. Copyright 2004. [retrieved on 2007-10-11], [Retrieved from the internet] < http://web.archive.org/web/20060206080604/http://www.powerstream.com/Produz10.htm > pages 1-4	19
<input type="checkbox"/> Further documents are listed in the continuation of Box C. <input type="checkbox"/>		
* Special categories of cited documents: "A" document defining the general state of the art which is not considered to be of particular relevance "E" earlier application or patent but published on or after the international filing date "L" document which may throw doubts on priority claim(s) or which is cited to establish the publication date of another citation or other special reason (as specified) "O" document referring to an oral disclosure, use, exhibition or other means "P" document published prior to the international filing date but later than the priority date claimed "T" later document published after the international filing date or priority date and not in conflict with the application but cited to understand the principle or theory underlying the invention "X" document of particular relevance; the claimed invention cannot be considered novel or cannot be considered to involve an inventive step when the document is taken alone "Y" document of particular relevance; the claimed invention cannot be considered to involve an inventive step when the document is combined with one or more other such documents, such combination being obvious to a person skilled in the art "&" document member of the same patent family		
Date of the actual completion of the international search 11 October 2007		Date of mailing of the international search report 26 FEB 2008
Name and mailing address of the ISA/US Mail Stop PCT, Attn: ISA/US, Commissioner for Patents P.O. Box 1450, Alexandria, Virginia 22313-1450 Facsimile No. 571-273-3201		Authorized officer: Blaine R. Copenheaver PCT Helpdesk: 571-272-4300 PCT OSP: 571-272-7774