

(19) World Intellectual Property Organization  
International Bureau



(43) International Publication Date  
12 June 2008 (12.06.2008)

PCT

(10) International Publication Number  
**WO 2008/070662 A3**

- (51) **International Patent Classification:**  
*H04R 21/00* (2006 01)
- (21) **International Application Number:**  
PCT/US2007/086381
- (22) **International Filing Date:**  
4 December 2007 (04 12 2007)
- (25) **Filing Language:** English
- (26) **Publication Language:** English
- (30) **Priority Data:**  
60/872,669 4 December 2006 (04 12 2006) US  
11/949,850 4 December 2007 (04 12 2007) US
- (71) **Applicant (for all designated States except US):** ADAPTIVE TECHNOLOGIES, INC. [US/US], 2020 Kraft Drive Suite 3040, Blacksburg, VA 24060 (US)
- (72) **Inventors; and**
- (75) **Inventors/Applicants (for US only):** DU, Yu [CN/US], 1280 Orange Leaf Drive, Christiansburg, VA 24073 (US)  
HOMMA, Kenji [JP/US], 225 Mountain Breeze Drive, Blacksburg, VA 24060 (US)  
VAUDREY, Michael, A. [US/US], 3811 Mountain Laurel Ridge, Blacksburg, VA 24060 (US)
- (74) **Agent:** ROBERTS MARDULA & WERTHEIM LLC, Suite 1000, 11800 Sunrise Valley Drive, Reston, VA 20191 (US)

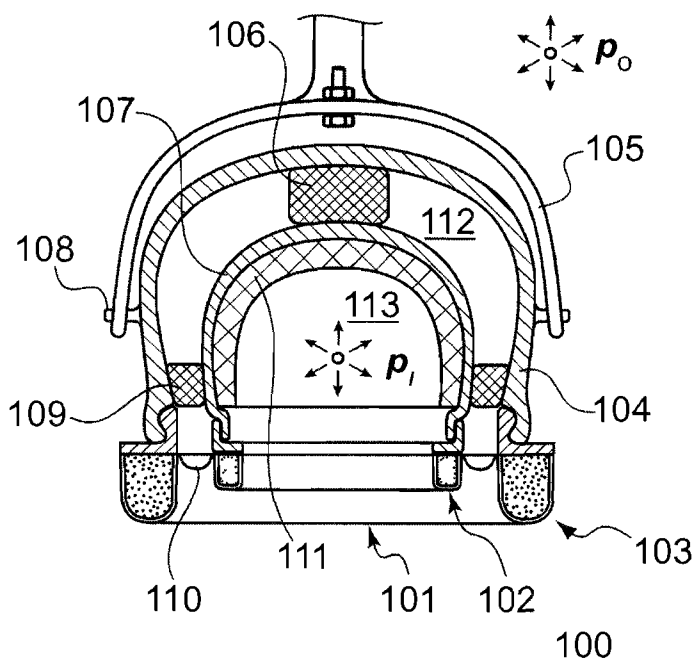
- (81) **Designated States (unless otherwise indicated, for every kind of national protection available):** AE, AG, AL, AM, AT, AU, AZ, BA, BB, BG, BH, BR, BW, BY, BZ, CA, CH, CN, CO, CR, CU, CZ, DE, DK, DM, DO, DZ, EC, EE, EG, ES, FI, GB, GD, GE, GH, GM, GT, HN, HR, HU, ID, IL, IN, IS, JP, KE, KG, KM, KN, KP, KR, KZ, LA, LC, LK, LR, LS, LT, LU, LY, MA, MD, ME, MG, MK, MN, MW, MX, MY, MZ, NA, NG, NI, NO, NZ, OM, PG, PH, PL, PT, RO, RS, RU, SC, SD, SE, SG, SK, SL, SM, SV, SY, TJ, TM, TN, TR, TT, TZ, UA, UG, US, UZ, VC, VN, ZA, ZM, ZW
- (84) **Designated States (unless otherwise indicated, for every kind of regional protection available):** ARIPO (BW, GH, GM, KE, LS, MW, MZ, NA, SD, SL, SZ, TZ, UG, ZM, ZW), Eurasian (AM, AZ, BY, KG, KZ, MD, RU, TJ, TM), European (AT, BE, BG, CH, CY, CZ, DE, DK, EE, ES, FI, FR, GB, GR, HU, IE, IS, IT, LT, LU, LV, MC, MT, NL, PL, PT, RO, SE, SI, SK, TR), OAPI (BF, BJ, CF, CG, CI, CM, GA, GN, GQ, GW, ML, MR, NE, SN, TD, TG)

**Published:**

- with international search report
- before the expiration of the time limit for amending the claims and to be republished in the event of receipt of amendments

[Continued on next page]

(54) **Title:** SOUND-ATTENUATING EARMUFF HAVING ISOLATED DOUBLE-SHELL STRUCTURE



(57) **Abstract:** An earmuff assembly with a double-shell structure is disclosed for use with a sound-attenuating circumaural headset. The earmuff assembly comprises a cup-shaped outer shell mounted on a resilient outer sealing ring and a cup-shaped inner shell mounted on a resilient inner sealing ring. By means of the two sealing rings the outer and the inner shells are brought into abutment with the head surface around an ear of a wearer. Both shells are structurally rigid. The sound attenuation performance is maximized by isolating the inner shell from the outer shell. The two sealing rings are interconnected through a thin skin layer of soft compliant materials, which acts as a vibration isolating/decoupling means between the outer shell and the inner shell.

WO 2008/070662 A3



---

(88) Date of publication of the international search report:  
9 October 2008

## INTERNATIONAL SEARCH REPORT

International application No

PCT/US 07/86381

<b>A CLASSIFICATION OF SUBJECT MATTER</b> IPC(8) - H04R 21/00 (2008.04) USPC- 181/129 According to International Patent Classification (IPC) or to both national classification and IPC		
<b>B FIELDS SEARCHED</b> Minimum documentation searched (classification system followed by classification symbols) IPC(8) - H04R 21/00 (2008 04) USPC - 181/129 Documentation searched other than minimum documentation to the extent that such documents are included in the fields searched USPC - 181/126, 129, 128/857, 2/209 (search terms below) Electronic data base consulted during the international search (name of data base and, where practicable, search terms used) Electronic Databases Searched PubWEST(PGPB,USPT,USOC,EPAB,JPAB), Google Scholar Search Terms Used earmuff or circumaural, inner shell, outer shell, air gap, foam, spring, rubber, seal, hearing protection		
<b>C DOCUMENTS CONSIDERED TO BE RELEVANT</b>		
Category*	Citation of document, with indication, where appropriate, of the relevant passages	Relevant to claim No
X --- Y  Y Y Y	US 3,602,329 A (Bauer et al ) 31 August 1971 (31 08 1971), FIG 2, col 3, ln 12, col 3, ln 39-49  US 6,695,093 B1 (Falco) 24 February 2004 (24 02 2004), abstract  US 4 989,271 A (Sapiejewski et al ) 05 February 1991 (05 02 1991 ), FIG 1, col 1, ln 50-54  US 4,156,1 18 A (Hargrave) 22 May 1979 (22 05 1979), FIG 4, col 2. ln 64-65	1-5, 8, 9 ----- 6 7, 10-25  6, 7  10-25  10-25
<input type="checkbox"/> Further documents are listed in the continuation of Box C		
<b>D</b> * Special categories of cited documents "A" document defining the general state of the art which is not considered to be of particular relevance "E" earlier application or patent but published on or after the international filing date "L" document which may throw doubts on priority claim(s) or which is cited to establish the publication date of another citation or other special reason (as specified) "O" document referring to an oral disclosure, use, exhibition or other means "P" document published prior to the international filing date but later than the priority date claimed "T" later document published after the international filing date or priority date and not in conflict with the application but cited to understand the principle or theory underlying the invention "X" document of particular relevance, the claimed invention cannot be considered novel or cannot be considered to involve an inventive step when the document is taken alone "Y" document of particular relevance, the claimed invention cannot be considered to involve an inventive step when the document is combined with one or more other such documents, such combination being obvious to a person skilled in the art "&" document member of the same patent family		
Date of the actual completion of the international search 22 July 2008 (22 07 2008)		Date of mailing of the international search report » .0 JUL 2008
Name and mailing address of the ISA/US Mail Stop PCT, Attn ISA/US, Commissioner for Patents P O Box 1450, Alexandria, Virginia 22313-1450 Facsimile No 571-273-3201		Authorized officer Lee W Young PCT Hlpdßsk S71-272-4300 PCTOSP 571-272-7774