



(12) **United States Design Patent**
Hahn

(10) **Patent No.:** **US D877,022 S**
(45) **Date of Patent:** **** Mar. 3, 2020**

(54) **WHEEL**

(71) Applicant: **Vorsteiner North America**, Irvine, CA (US)

(72) Inventor: **Carol Hahn**, Garden Grove, CA (US)

(**) Term: **15 Years**

(21) Appl. No.: **29/670,473**

(22) Filed: **Nov. 15, 2018**

(51) **LOC (12) Cl.** **12-16**

(52) **U.S. Cl.**
USPC **D12/209**

(58) **Field of Classification Search**
USPC D12/204-213
CPC B60B 7/00; B60B 7/02; B60B 7/04; B60B 7/01; B60B 7/06; B60B 3/02; B60B 3/04; B60B 3/06; B60B 3/10; B60B 1/00; B60B 1/08; B60B 1/10; B60B 1/12
See application file for complete search history.

D736,135 S	8/2015	Grake et al.	
D746,210 S	12/2015	Dilber et al.	
D748,560 S *	2/2016	Simm	D12/211
D751,485 S *	3/2016	Chung	D12/209
D754,051 S	4/2016	Baum	
D763,163 S	8/2016	Chung	
D763,772 S	8/2016	Chung	
D778,222 S	2/2017	Chung	
D780,664 S	3/2017	Gallert	
D789,268 S *	6/2017	Gallert	D12/209
D793,938 S *	8/2017	Yang	D12/209
D797,028 S	9/2017	Chung	
D800,629 S *	10/2017	Tran	D12/209
D800,631 S	10/2017	Krause et al.	
D800,632 S	10/2017	Gonser	
D811,980 S	3/2018	Chung	
D812,541 S	3/2018	Chung	
D823,216 S *	7/2018	Chung	D12/209
D823,768 S *	7/2018	Chung	D12/209
D825,428 S	8/2018	Myrberg	
D832,175 S *	10/2018	Chung	D12/209
D833,950 S	11/2018	Sempek	
D836,527 S *	12/2018	Groth	D12/211
D838,650 S *	1/2019	Han	D12/209
D840,892 S	2/2019	Chung	
D842,196 S	3/2019	Han	

(Continued)

(56) **References Cited**

U.S. PATENT DOCUMENTS

D463,769 S	10/2002	Chung	
D514,496 S	2/2006	Neeper	
D527,335 S	8/2006	Kim	
D535,606 S	1/2007	Hernandez	
D548,165 S	8/2007	Young	
D569,778 S	5/2008	Kim	
D579,399 S	10/2008	Schweizer	
D590,315 S	4/2009	Chung	
D603,779 S	11/2009	Futschik et al.	
D615,018 S	5/2010	Truebsbach	
D675,554 S	2/2013	Nissl	
D684,517 S *	6/2013	Scheinutte	D12/211
D708,109 S *	7/2014	Hodges	D12/205
D725,018 S *	3/2015	Zhao	D12/209
D727,829 S	4/2015	Chung	

Primary Examiner — Stacia A Cadmus

(74) *Attorney, Agent, or Firm* — Ravi Mohan; Rutan & Tucker, LLP

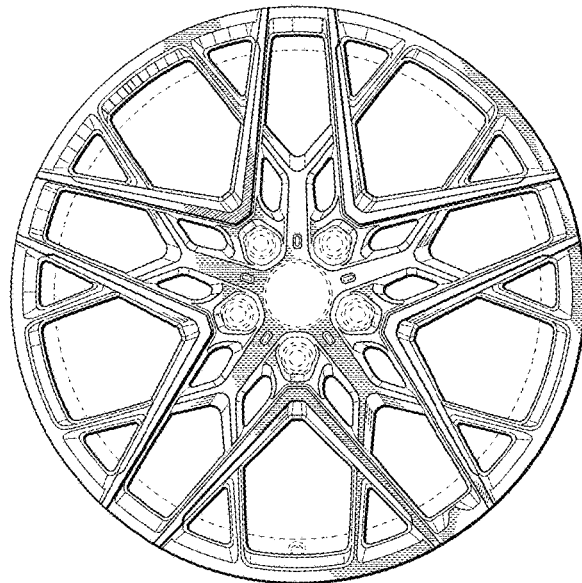
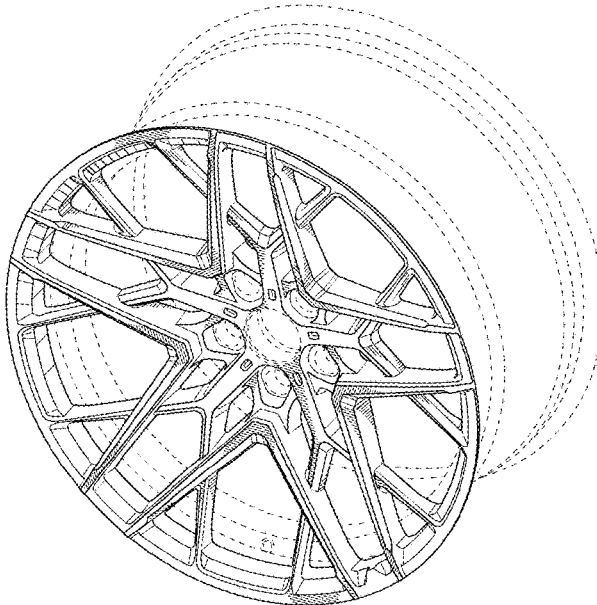
(57) **CLAIM**

The ornamental design for a wheel, as shown and described.

DESCRIPTION

FIG. 1 is a perspective view of a wheel, showing my new design; and,
FIG. 2 is a front view thereof.
In the drawings the broken lines depict environmental subject matter and form no part of the claimed design.

1 Claim, 2 Drawing Sheets



(56)

References Cited

U.S. PATENT DOCUMENTS

D842,200	S	*	3/2019	Han	D12/209
D842,206	S	*	3/2019	Rueckheim	D12/209
D842,796	S	*	3/2019	Groth	D12/209
D845,855	S	*	4/2019	Chung	D12/209
D845,862	S		4/2019	Kong		
D847,067	S	*	4/2019	Groth	D12/209
D853,305	S	*	7/2019	Valencia Pollex	D12/209
D859,262	S	*	9/2019	De Jung	D12/209
D859,264	S	*	9/2019	Guidry	D12/209
D860,914	S	*	9/2019	Han	D12/211

* cited by examiner

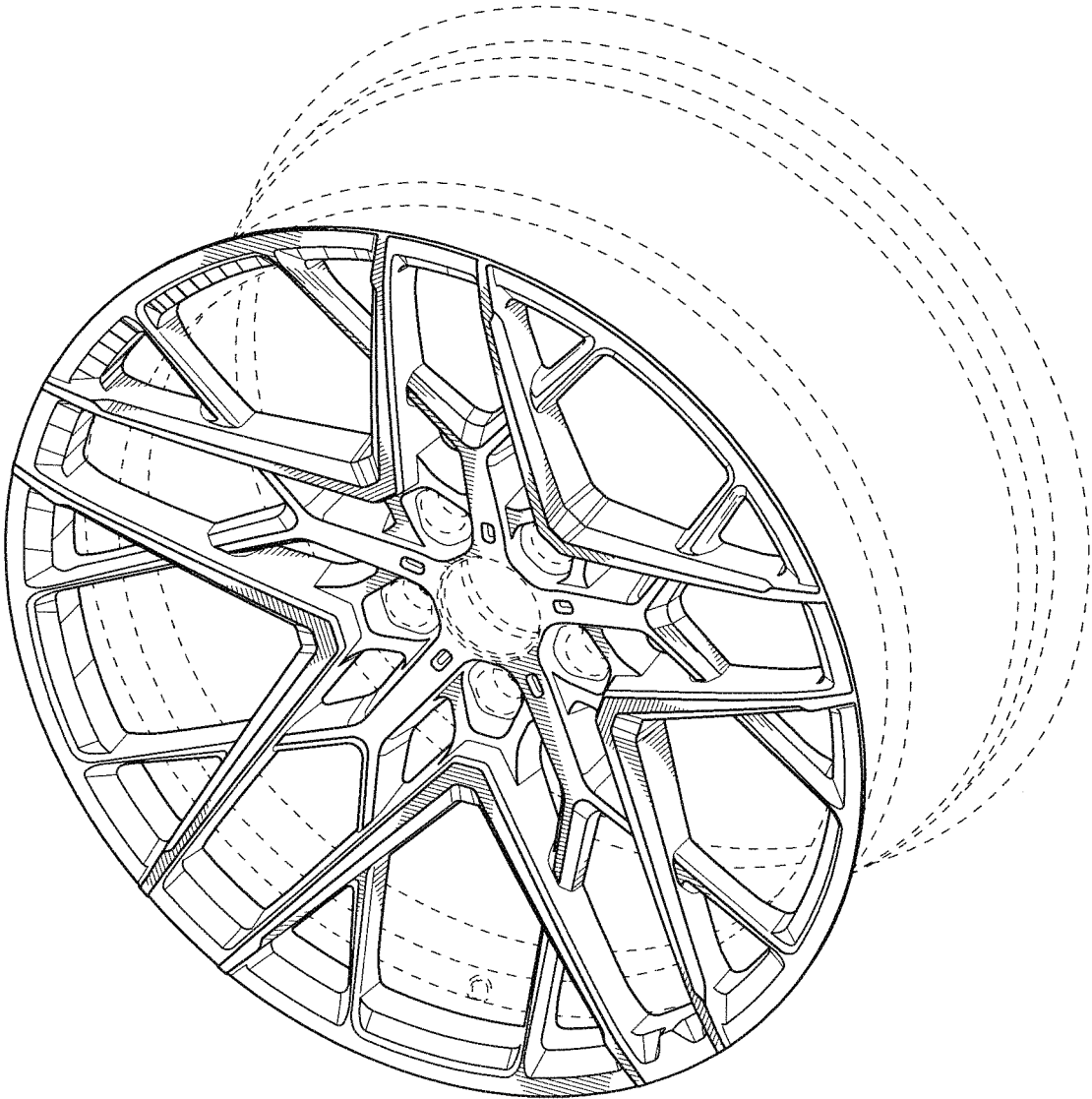


FIG. 1

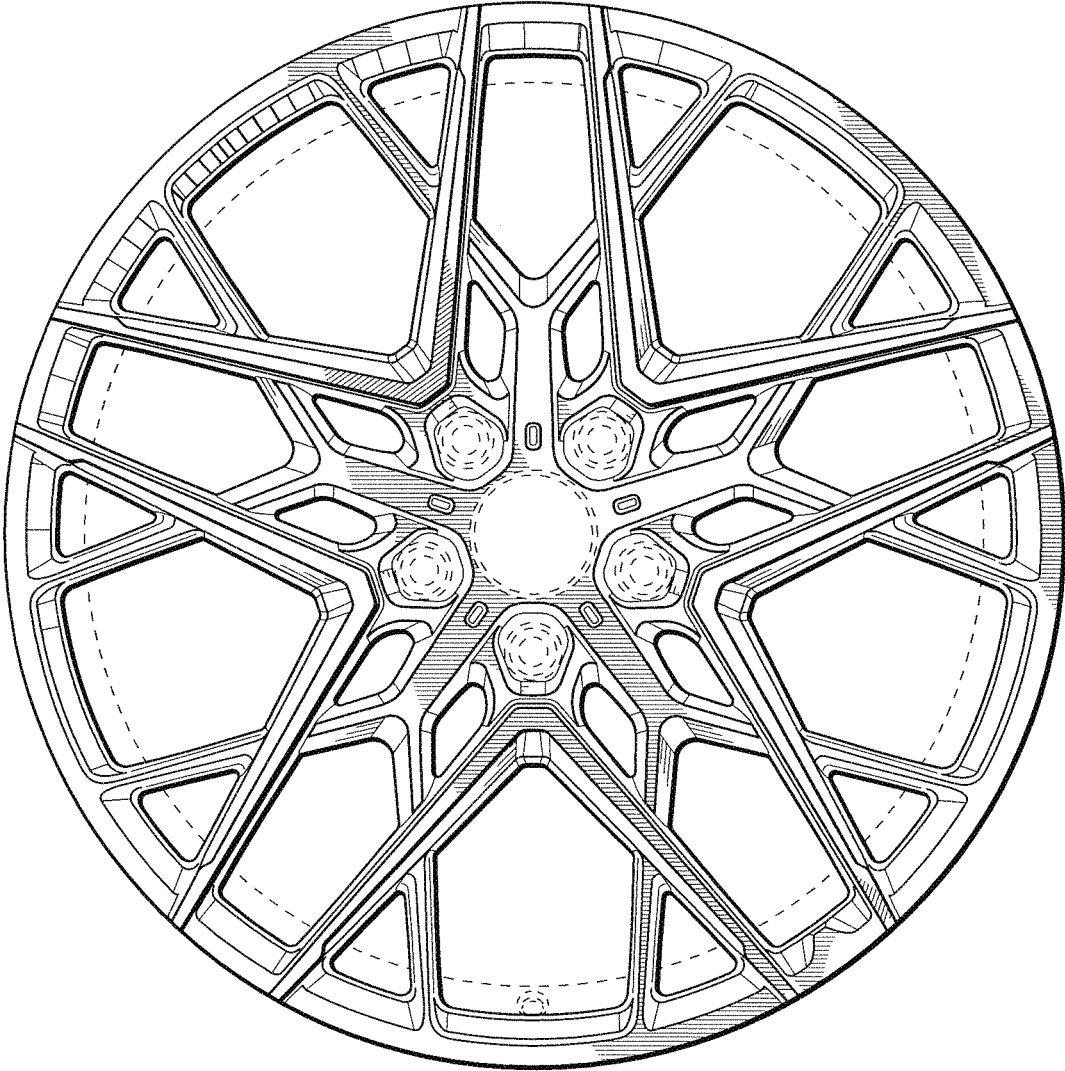


FIG. 2