



US00D897482S

(12) **United States Design Patent**  
**Podgurny**

(10) **Patent No.:** **US D897,482 S**

(45) **Date of Patent:** **\*\* Sep. 29, 2020**

(54) **MOUNTING RAIL**

(71) Applicant: **F-1 Research, LLC—Patent Series,**  
Spring, TX (US)

(72) Inventor: **Dion Podgurny,** Spring, TX (US)

(73) Assignee: **F-1 Research, LLC—Patent Series,**  
Spring, TX (US)

(\*\*) Term: **15 Years**

(21) Appl. No.: **29/684,837**

(22) Filed: **Mar. 25, 2019**

(51) **LOC (12) Cl.** ..... **22-01**

(52) **U.S. Cl.**  
USPC ..... **D22/109**

(58) **Field of Classification Search**  
USPC ..... D22/100, 101, 103, 104, 108, 109, 110,  
D22/111, 115, 116, 199; D21/567, 573,  
D21/574

CPC ... F41G 1/30; F41G 1/42; F41G 11/00; F41G  
11/001; F41C 7/00; F41C 3/005; F41C  
23/04; F41C 23/10

See application file for complete search history.

(56) **References Cited**

**U.S. PATENT DOCUMENTS**

D468,780	S *	1/2003	Hu	.....	D21/573
D544,564	S *	6/2007	Swan	.....	D22/108
D607,958	S *	1/2010	Swan	.....	D22/108
D613,811	S *	4/2010	Swan	.....	D22/108
D683,417	S *	5/2013	Daniel	.....	D22/108
8,468,733	B2 *	6/2013	Deros	.....	F41G 11/003 42/90
8,607,490	B1 *	12/2013	Zinsner	.....	F41C 23/16 42/71.01
D703,286	S *	4/2014	Chen	.....	D22/108
D717,908	S *	11/2014	Montes	.....	D22/108
D732,628	S *	6/2015	Cheng	.....	D22/108
9,157,697	B2 *	10/2015	Leclair	.....	F41C 23/16

D751,663	S *	3/2016	Ding	.....	D22/108
D752,171	S *	3/2016	Chen	.....	D22/108
D768,257	S *	10/2016	Boyd	.....	D22/109
D770,590	S *	11/2016	Sui	.....	D22/108
9,518,801	B2 *	12/2016	Krebs	.....	F41C 23/16
D784,483	S *	4/2017	Ding	.....	D22/110
D790,029	S *	6/2017	Geissele	.....	D22/108
D815,238	S *	4/2018	Podgurny	.....	D22/108
D822,143	S *	7/2018	Alldredge	.....	D22/109
D828,481	S *	9/2018	Alldredge	.....	D22/110
D837,330	S *	1/2019	Ding	.....	D22/108
D848,078	S *	5/2019	Griffith	.....	D29/122
D877,843	S *	3/2020	Yu	.....	D22/108

(Continued)

**OTHER PUBLICATIONS**

“Firefield Verge M-LOK 15” Aluminum Picatinny Rail, Hardcoat Anodized Black—FF34067” [online]. palmettostatearmory.com. [Retrieved on Jun. 2, 2020]. Retrieved from the Internet: <<https://palmettostatearmory.com/firefield-verge-m-lok-15-aluminum-picatinny-rail-hardcoat-anodized-black-ff34067.html>>.\*

*Primary Examiner* — Khawaja Anwar

*Assistant Examiner* — Mojtaba Tehrani

(74) *Attorney, Agent, or Firm* — Dossey & Jones PLLC;  
Phillip Black

(57) **CLAIM**

The ornamental design for a mounting rail, as shown and described.

**DESCRIPTION**

FIG. 1 is an isometric front, left side view showing my design for a mounting rail;

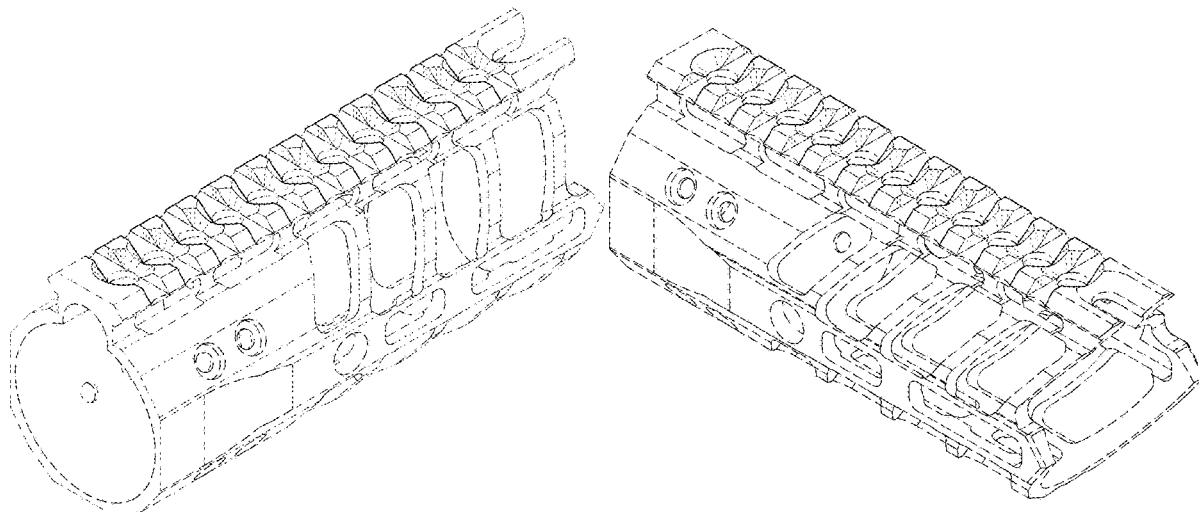
FIG. 2 is an isometric rear, left side view thereof;

FIG. 3 is a top view thereof; and,

FIG. 4 is a left side view thereof, the right side view (not shown) being a mirror image of this left side view.

The broken lines depict environmental subject matter and do not form a part of the claimed design.

**1 Claim, 4 Drawing Sheets**



(56)

**References Cited**

U.S. PATENT DOCUMENTS

2011/0000119 A1\* 1/2011 Desomma ..... F41G 11/003  
42/75.02  
2011/0197491 A1\* 8/2011 McCann ..... F41G 11/003  
42/132  
2012/0124880 A1\* 5/2012 Leclair ..... F41A 21/484  
42/71.01  
2013/0219767 A1\* 8/2013 Peterson ..... F41G 1/10  
42/113  
2014/0130390 A1\* 5/2014 Geissele ..... F41C 23/16  
42/71.01  
2018/0094904 A1\* 4/2018 Greenwood ..... F41G 11/003

\* cited by examiner

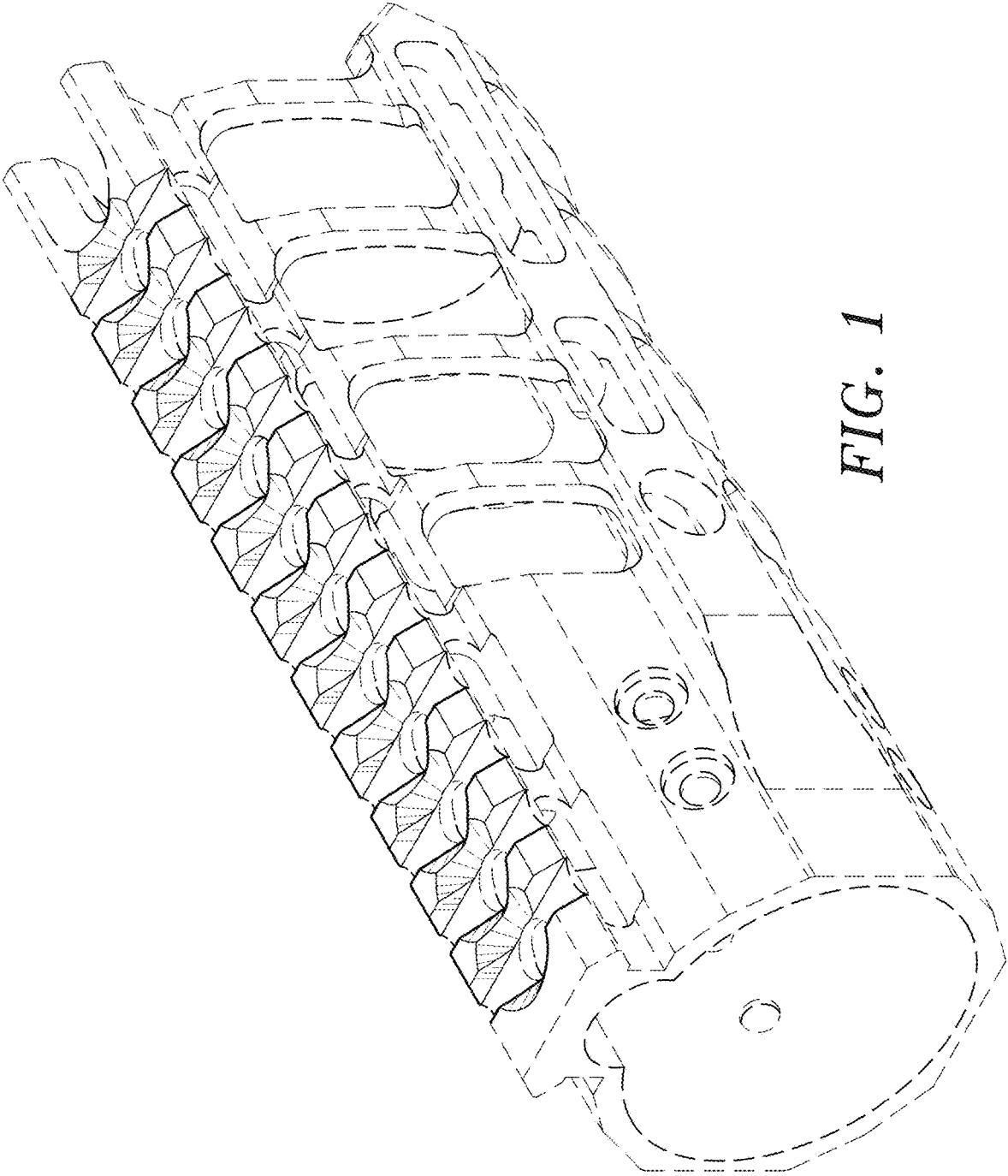


FIG. 1

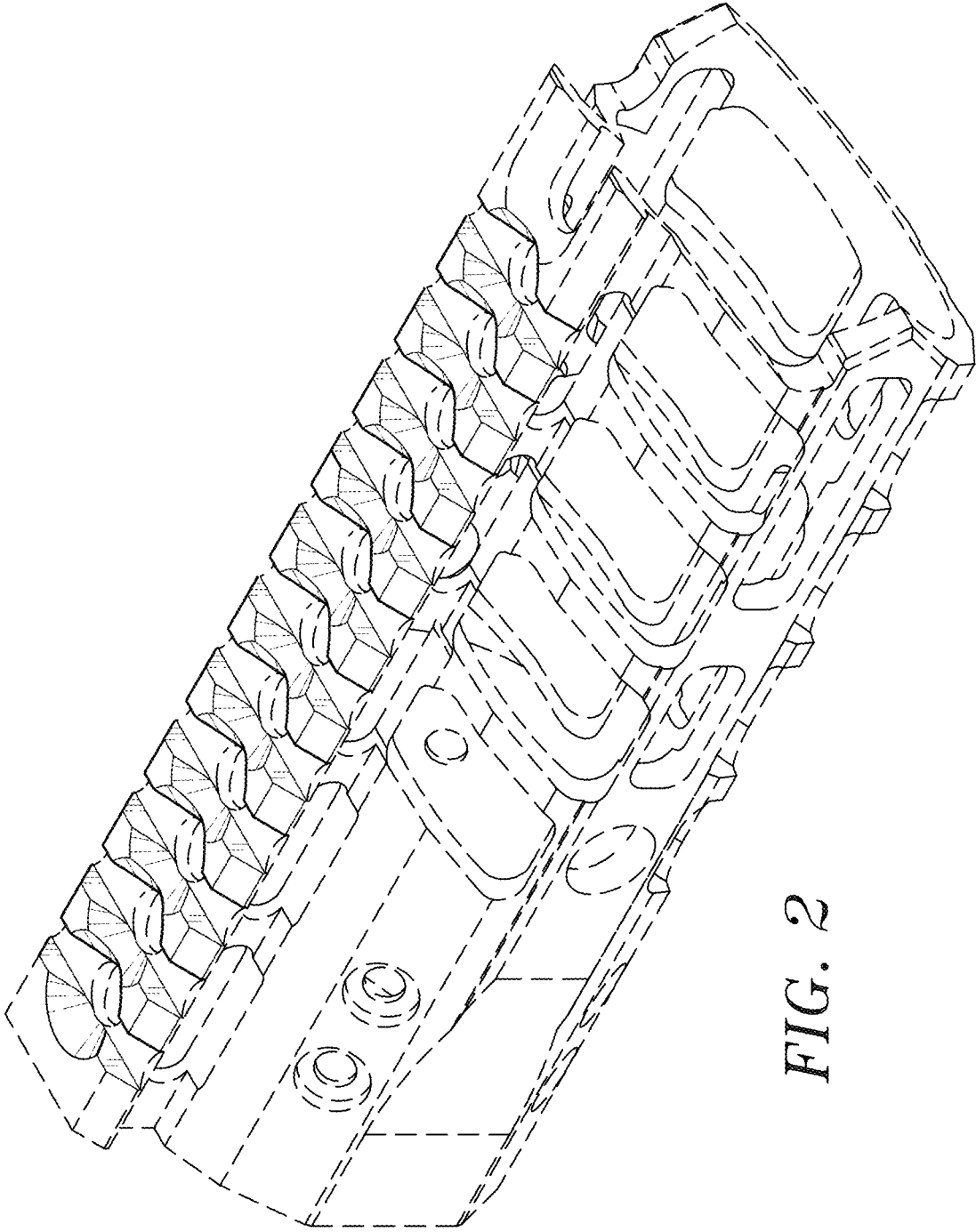


FIG. 2

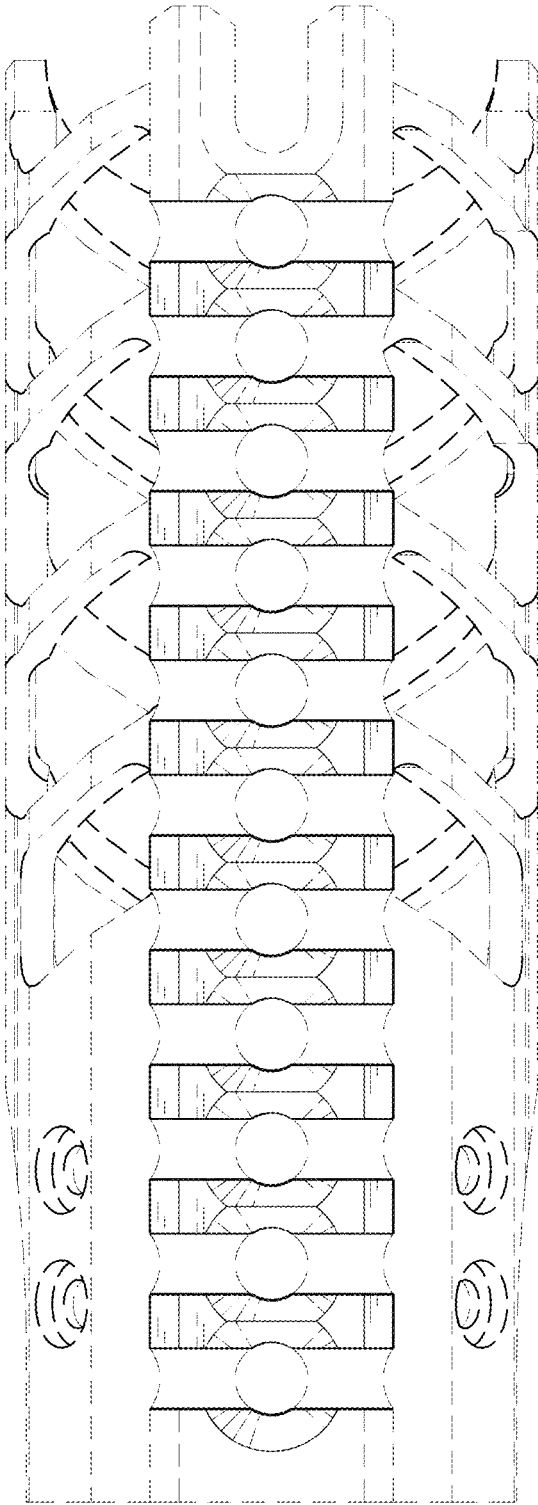


FIG. 3

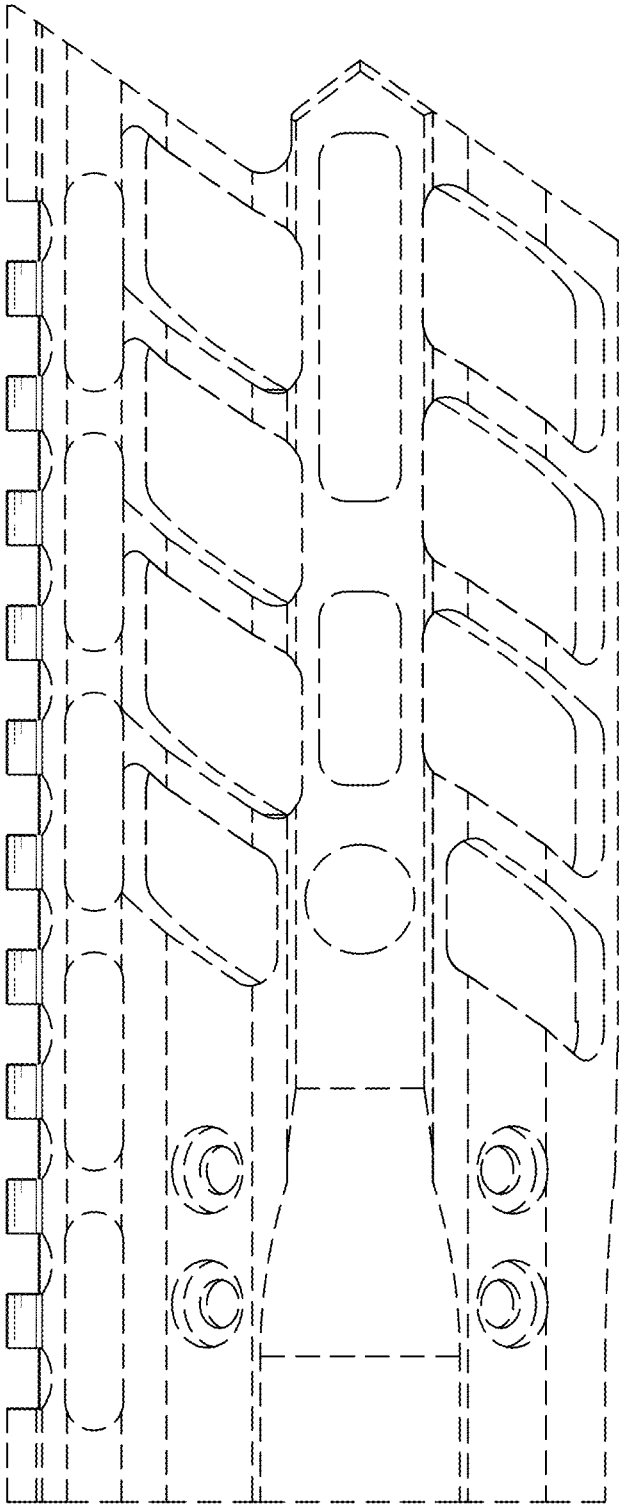


FIG. 4