

(19) World Intellectual Property
Organization
International Bureau



(43) International Publication Date
23 December 2004 (23.12.2004)

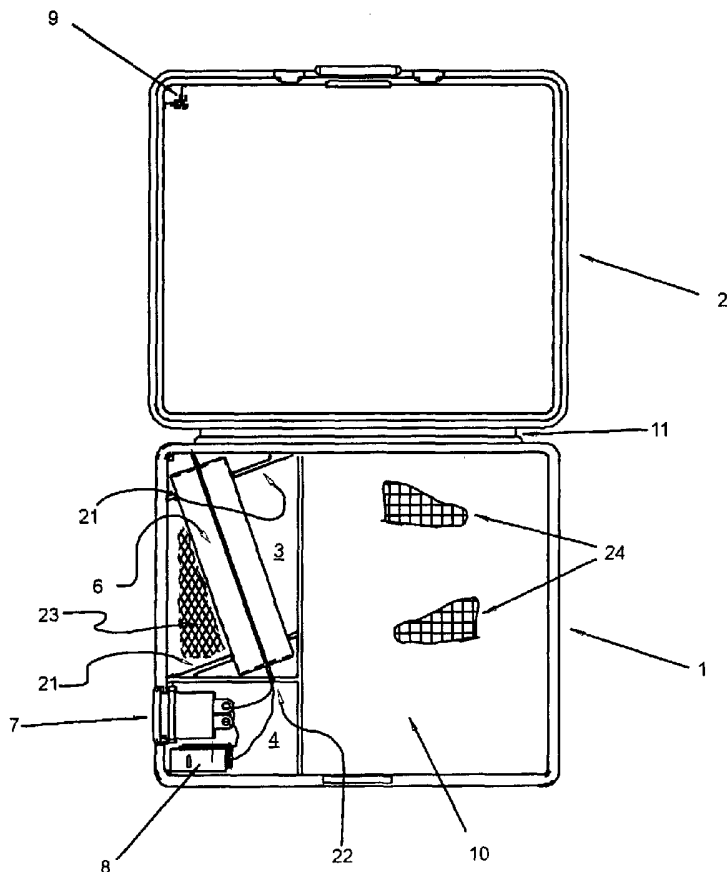
PCT

(10) International Publication Number
WO 2004/112422 A3

- (51) International Patent Classification⁷: **F26B 21/06** (74) Agent: GREENSPAN, Bernard Jay; 17836 Creciente Way, San Diego, California 92127 (US).
- (21) International Application Number: PCT/US2004/017525 (81) Designated States (unless otherwise indicated, for every kind of national protection available): AE, AG, AL, AM, AT, AU, AZ, BA, BB, BG, BR, BW, BY, BZ, CA, CH, CN, CO, CR, CU, CZ, DE, DK, DM, DZ, EC, EE, EG, ES, FI, GB, GD, GE, GH, GM, HR, HU, ID, IL, IN, IS, JP, KE, KG, KP, KR, KZ, LC, LK, LR, LS, LT, LU, LV, MA, MD, MG, MK, MN, MW, MX, MZ, NA, NI, NO, NZ, OM, PG, PH, PL, PT, RO, RU, SC, SD, SE, SG, SK, SL, SY, TJ, TM, TN, TR, TT, TZ, UA, UG, US, UZ, VC, VN, YU, ZA, ZM, ZW.
- (22) International Filing Date: 3 June 2004 (03.06.2004)
- (25) Filing Language: English
- (26) Publication Language: English
- (30) Priority Data: 60/476,539 6 June 2003 (06.06.2003) US
- (71) Applicants and
(72) Inventors: GREENSPAN, Bernard Jay [US/US]; 17836 Creciente Way, San Diego, California 92127 (US). PIERCE, Eliot N. [US/US]; 12039 Caminito Cadena, San Diego, California 92128 (US). WOODRUFF, David K. [US/US]; 11835 Carmel Mountain Road, Suite 1313, San Diego, California 92128 (US).
- (84) Designated States (unless otherwise indicated, for every kind of regional protection available): ARIPO (BW, GH, GM, KE, LS, MW, MZ, NA, SD, SL, SZ, TZ, UG, ZM, ZW), Eurasian (AM, AZ, BY, KG, KZ, MD, RU, TJ, TM), European (AT, BE, BG, CH, CY, CZ, DE, DK, EE, ES, FI, FR, GB, GR, HU, IE, IT, LU, MC, NL, PL, PT, RO, SE, SI,

[Continued on next page]

(54) Title: HEARING AID DRYER



(57) Abstract: An apparatus is disclosed for removing moisture from electronic devices such as hearing aids (24), using a desiccant material (23). The desiccant material (23) is regenerated in place with heat from a heater (6) placed in close proximity to said desiccant (23), said heater (6) being activated when the cover (2) of the apparatus is open to the atmosphere. Drying of the hearing aids takes place when the hearing aids are placed in the apparatus and it is closed. A microswitch (8) is engaged by a protrusion (9) on the cover (2) thus deactivating the heater (6). Power is supplied by an external power source through a connector (7). Heat is not applied during drying to avoid potential damage to the hearing aids or other electronic device.

WO 2004/112422 A3



SK, TR), OAPI (BF, BJ, CF, CG, CI, CM, GA, GN, GQ, GW, ML, MR, NE, SN, TD, TG).

— *before the expiration of the time limit for amending the claims and to be republished in the event of receipt of amendments*

Declaration under Rule 4.17:

— *of inventorship (Rule 4.17(iv)) for US only*

(88) Date of publication of the international search report:

3 February 2005

Published:

— *with international search report*

For two-letter codes and other abbreviations, refer to the "Guidance Notes on Codes and Abbreviations" appearing at the beginning of each regular issue of the PCT Gazette.

INTERNATIONAL SEARCH REPORT

International application No.

PCT/US04/17525

A. CLASSIFICATION OF SUBJECT MATTER		
IPC(7) : F26B 21/06		
US CL : 34/80, 90, 73		
According to International Patent Classification (IPC) or to both national classification and IPC		
B. FIELDS SEARCHED		
Minimum documentation searched (classification system followed by classification symbols) U.S. : 34/80, 90, 73, 72, 210, 215		
Documentation searched other than minimum documentation to the extent that such documents are included in the fields searched		
Electronic data base consulted during the international search (name of data base and, where practicable, search terms used)		
C. DOCUMENTS CONSIDERED TO BE RELEVANT		
Category *	Citation of document, with indication, where appropriate, of the relevant passages	Relevant to claim No.
A, P	US 6,675,492 B2 (HSU) 13 January 2004 (13.01.2004), entire document.	1-8
A	US 4,959,976 A (MATSUDA et al) 2 October 1990 (02.10.1990), entire document.	1-8
A	US 5,901,464 A (KAZAKIS et al) 11 May 1999 (11.05.1999), entire document.	1-8
A	US 5,852,879 A (SCHUMAIER) 29 December 1998 (29.12.1998), entire document.	1-8
A	US 6,399,920 B1 (GUINN) 4 June 2002 (04.06.2002), entire document.	1-8
A	US 5,968,386 A (GOENKA et al) 19 October 1999 (19.10.1999), entire document.	1-8
A	US 5,048,201 A (LAYTON) 17 September 1991 (17.09.1991), entire document.	1-8
<input type="checkbox"/> Further documents are listed in the continuation of Box C. <input type="checkbox"/> See patent family annex.		
* Special categories of cited documents:		
"A"	document defining the general state of the art which is not considered to be of particular relevance	"T" later document published after the international filing date or priority date and not in conflict with the application but cited to understand the principle or theory underlying the invention
"E"	earlier application or patent published on or after the international filing date	"X" document of particular relevance; the claimed invention cannot be considered novel or cannot be considered to involve an inventive step when the document is taken alone
"L"	document which may throw doubts on priority claim(s) or which is cited to establish the publication date of another citation or other special reason (as specified)	"Y" document of particular relevance; the claimed invention cannot be considered to involve an inventive step when the document is combined with one or more other such documents, such combination being obvious to a person skilled in the art
"O"	document referring to an oral disclosure, use, exhibition or other means	"&" document member of the same patent family
"P"	document published prior to the international filing date but later than the priority date claimed	
Date of the actual completion of the international search		Date of mailing of the international search report
15 November 2004 (15.11.2004)		15 DEC 2004
Name and mailing address of the ISA/US Mail Stop PCT, Attn: ISA/US Commissioner for Patents P.O. Box 1450 Alexandria, Virginia 22313-1450 Facsimile No. (703) 305-3230		Authorized officer Ira Lazarus Telephone No. (703)308-1148