



US00D346335S

United States Patent [19]

[11] Patent Number: **Des. 346,335**

Bonnot

[45] Date of Patent: **** Apr. 26, 1994**

[54] **CLOCK**

[75] Inventor: **Francois Bonnot**, Geneva, Switzerland

[73] Assignee: **Ebel, S.A.**, Switzerland

[**] Term: **14 Years**

[21] Appl. No.: **810,763**

[22] Filed: **Dec. 17, 1991**

[30] **Foreign Application Priority Data**

Jun. 19, 1991 [XH] Hague DM/019928

[52] U.S. Cl. **D10/28**; D10/23

[58] Field of Search 368/276-277, 368/285; D10/1-40, 122-132

[56]

References Cited

U.S. PATENT DOCUMENTS

- D. 120,596 5/1940 Strauss D10/2 X
- D. 145,672 10/1946 Lux D10/23
- D. 146,083 12/1946 Lerman D10/23 X
- D. 170,859 11/1953 Hall D10/28

Primary Examiner—Nelson C. Holtje
Attorney, Agent, or Firm—David I. Roche

[57]

CLAIM

The ornamental design for clock.

DESCRIPTION

FIG. 1 is a front and left side perspective view of a clock, showing my new design;
 FIG. 2 is a top plan view thereof;
 FIG. 3 is a bottom plan view thereof;
 FIG. 4 is a front elevational view thereof;
 FIG. 5 is a rear elevational view thereof;
 FIG. 6 is a left side elevational view thereof; and,
 FIG. 7 is a right side elevational view thereof.

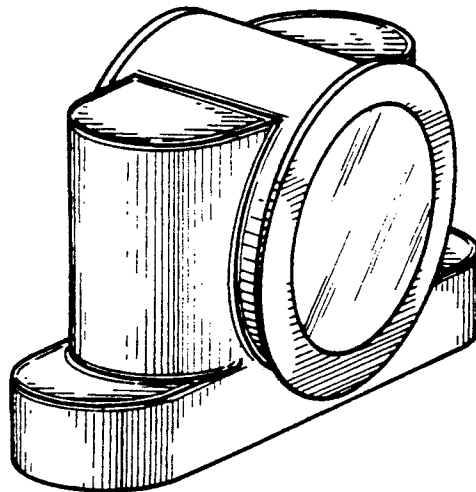


Fig 1

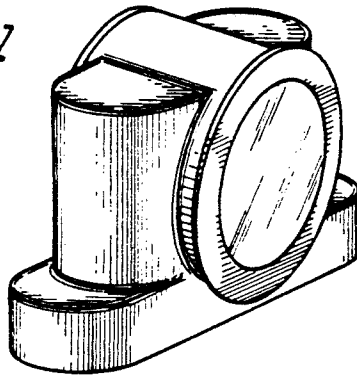


Fig 2

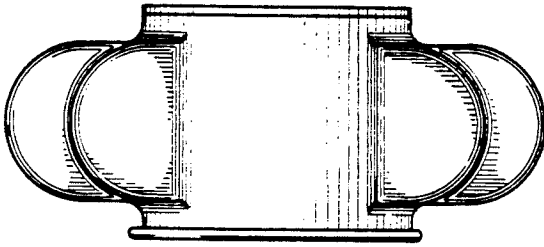


Fig 3

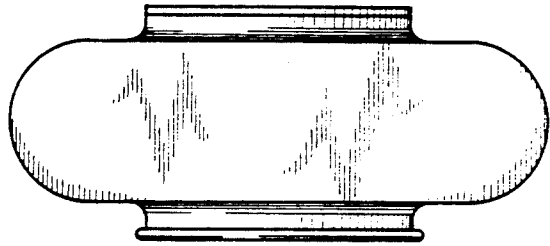


Fig 4

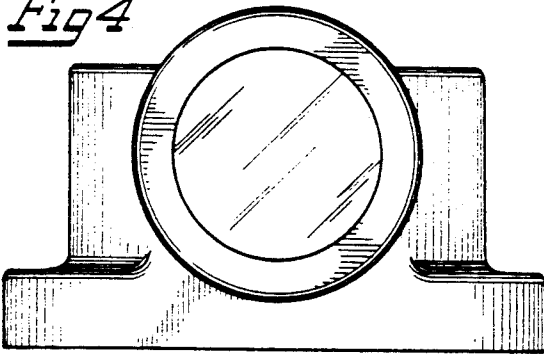


Fig 5

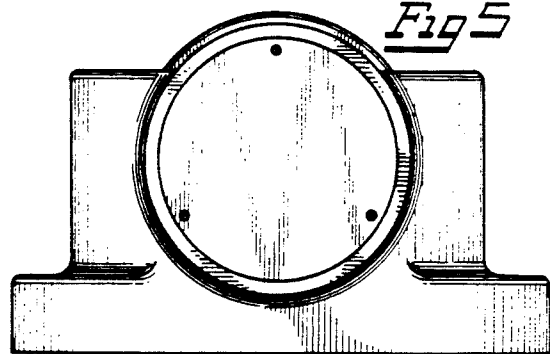


Fig 6

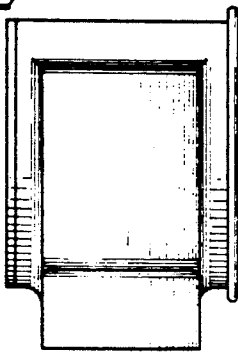


Fig 7

