



US00D999486S

(12) **United States Design Patent**
Akelund et al.

(10) **Patent No.:** **US D999,486 S**

(45) **Date of Patent:** **** Sep. 26, 2023**

(54) **BRIMLESS CAP**

(71) Applicants: **Corey Dean Akelund**, San Diego, CA (US); **Andrew James Orestano**, San Diego, CA (US)

(72) Inventors: **Corey Dean Akelund**, San Diego, CA (US); **Andrew James Orestano**, San Diego, CA (US)

(**) Term: **15 Years**

(21) Appl. No.: **29/789,694**

(22) Filed: **Oct. 14, 2021**

(51) **LOC (14) Cl.** **02-03**

(52) **U.S. Cl.**
USPC **D2/865**

(58) **Field of Classification Search**
USPC D2/865-867, 877, 881, 882, 884, 886, D2/890, 891

CPC A42B 1/24; A42B 1/006; A42B 1/004; A42B 1/041; A42B 1/201; A42B 1/241; A42B 1/248; A42B 3/048; A42B 1/0192; A42B 1/045; A42B 1/046; A42B 1/12; A42B 1/206; A42B 1/208; A42B 1/242; A42B 1/245; A42B 3/286; A42B 1/00

See application file for complete search history.

(56) **References Cited**

U.S. PATENT DOCUMENTS

D58,303 S *	7/1921	Bartholomew	D2/865
D187,519 S *	3/1960	Lasting	D2/865
D367,155 S *	2/1996	Lewis	D2/865
D374,548 S *	10/1996	Hartland	D2/884
5,613,246 A	3/1997	Alexander	
D379,111 S	5/1997	Foray	
5,915,534 A *	6/1999	May	A42C 5/02 2/DIG. 11
D415,337 S *	10/1999	Watts	D2/884
D425,688 S *	5/2000	Richlin	D2/865

D427,751 S *	7/2000	Richlin	D2/866
D473,039 S *	4/2003	Erspamer	D2/889
D639,532 S *	6/2011	Malarky, II	D2/878
D659,351 S *	5/2012	Benkendorfer	D2/865
D794,916 S *	8/2017	Wright	D2/867
D840,641 S *	2/2019	Huynh	D2/865
D906,638 S *	1/2021	West	D2/865
2002/0000001 A1	1/2002	Hall McKenzie	
2009/0255034 A1	10/2009	Little et al.	
2009/0255035 A1	10/2009	Little et al.	
2023/0039384 A1 *	2/2023	Fluellen	A42B 1/201

OTHER PUBLICATIONS

Dazoriginal Docker Cap Fisherman Hat Plain Black Leather Beanie Men Winter Ski (Dazoriginal), Amazon.com [online], Date First Available Jan. 22, 2019, <https://www.amazon.com/dp/B07MZZN9FW/> (Year: 2019).*

(Continued)

Primary Examiner — Jennifer L Watkins
Assistant Examiner — John Patrick G Ribay
(74) *Attorney, Agent, or Firm* — Dunlap Bennett & Ludwig, PLLC

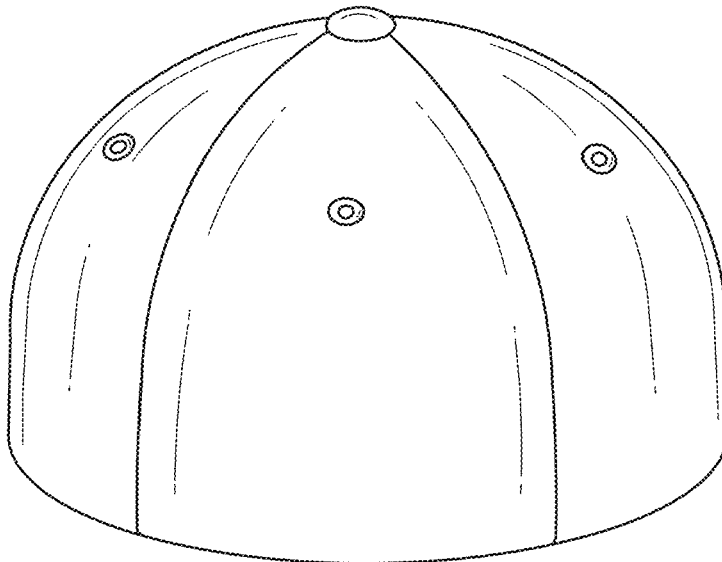
(57) **CLAIM**

The ornamental design for a brimless cap, as shown and described.

DESCRIPTION

FIG. 1 is a top perspective view of the brimless cap, showing our new design;
FIG. 2 is a bottom perspective view thereof;
FIG. 3 is a front elevation view thereof, with the ear elevation view being an identical image thereof;
FIG. 4 is a left side elevation thereof, with the right side elevation view being an identical image thereof;
FIG. 5 is a top plan view thereof; and,
FIG. 6 is a bottom plan view thereof.

1 Claim, 4 Drawing Sheets



(56)

References Cited

OTHER PUBLICATIONS

Docker Cap Brimless Hat for Men Women Beanie Rolled Cuff Retro Skullcap Miki Hat (Docker Cap), Amazon.com [online], Date First Available Dec. 6, 2019, <https://www.amazon.com/dp/B082FJ3S61/> (Year: 2019).*

Brimless Baseball Caps (Trendhunter), Trendhunter.com [online], Date Published Nov. 26, 2013, <https://www.trendhunter.com/trends/brimless-baseball-caps> (Year: 2013).*

Trend Hunter Inc. (Nov. 26, 2013). Brimless baseball caps. TrendHunter.com. <https://www.trendhunter.com/trends/brimless-baseball-caps>.

* cited by examiner

FIG. 1

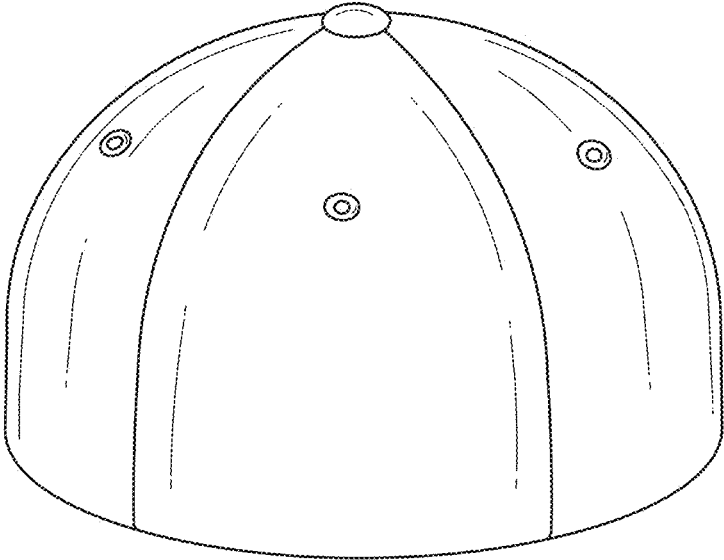


FIG. 2

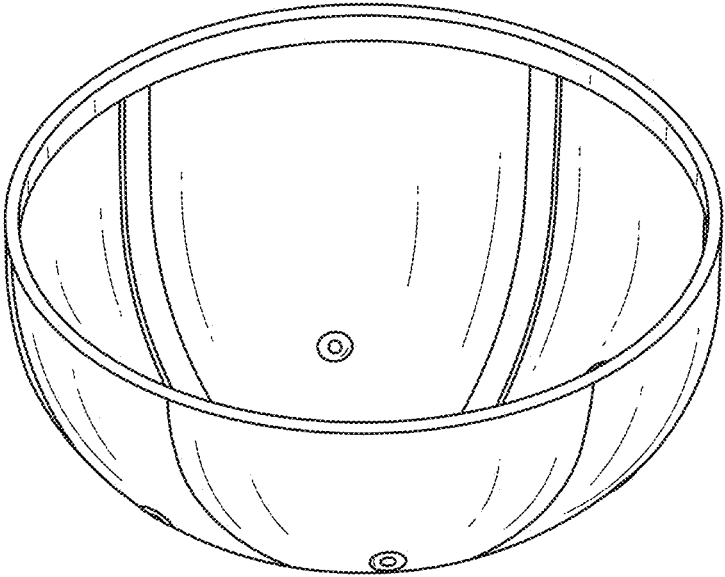


FIG. 3

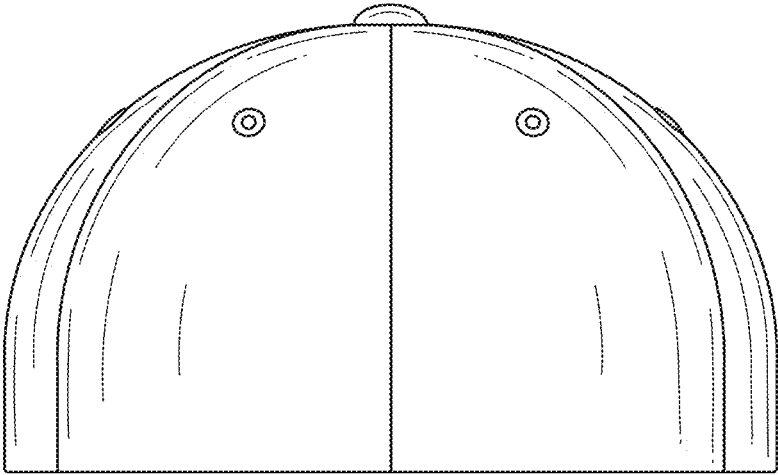
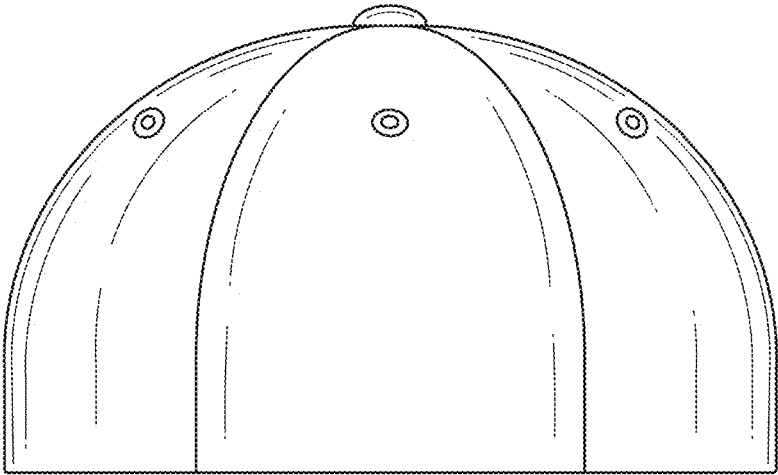


FIG. 4



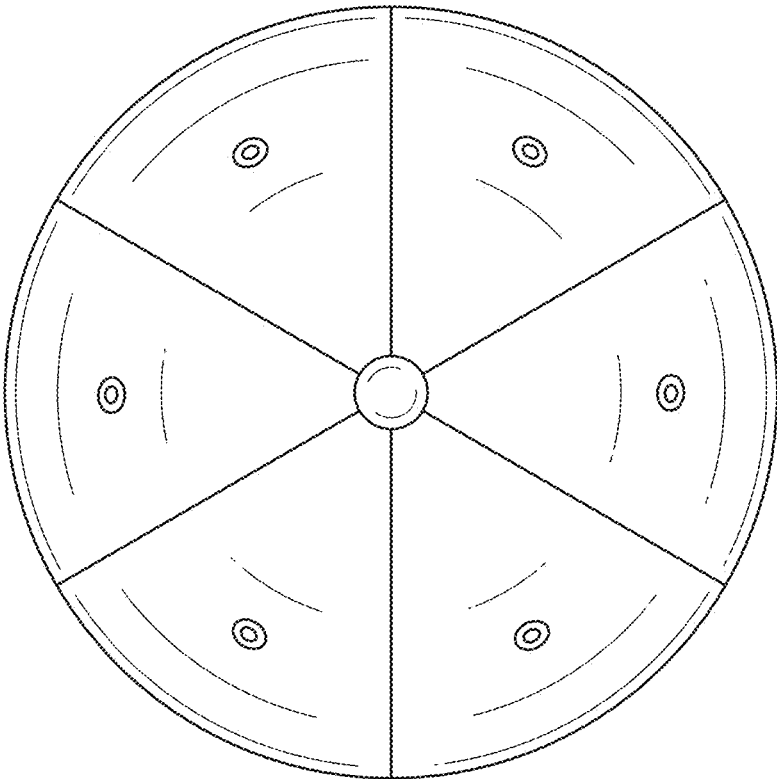


FIG. 5

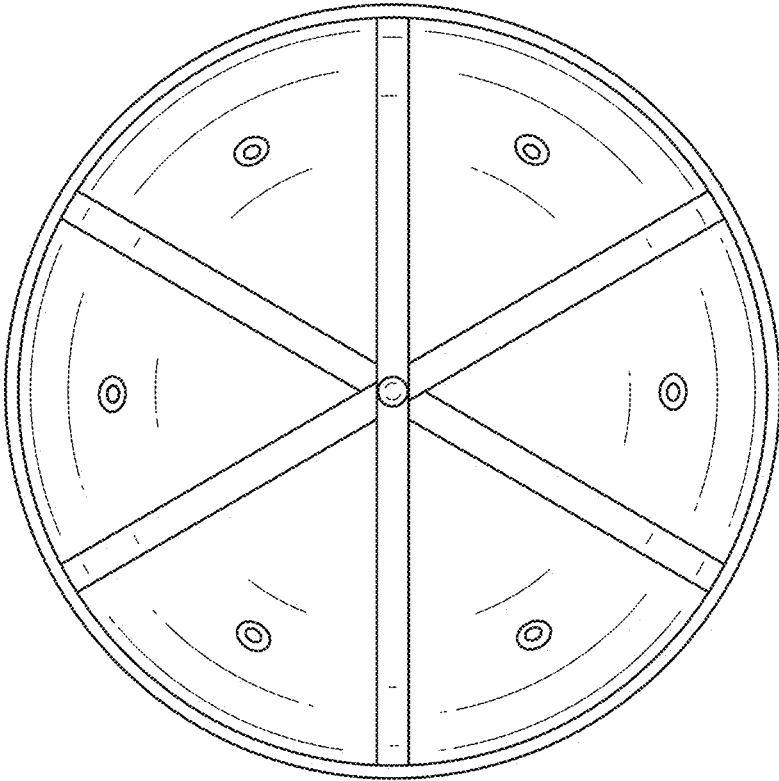


FIG. 6