



US00D998548S

(12) **United States Design Patent**
Sadananda et al.

(10) **Patent No.:** **US D998,548 S**

(45) **Date of Patent:** **** *Sep. 12, 2023**

(54) **TIRE**
(71) Applicant: **The Goodyear Tire & Rubber Company, Akron, OH (US)**

D728,462 S 5/2015 Mathonet et al. D12/588
D735,116 S 7/2015 Chen D12/532
D796,425 S 9/2017 Sareen D12/521

(Continued)

(72) Inventors: **Suraj Sadananda, Colmar-Berg (LU); Philippe Jean-Marie Coton, Habay (BE); Patrick Francois Willems, Mersch (LU); Nicolas Venet, Thionville (FR); Jerome Marcel Germain Delu, Bridel (LU); Armand Rene Gabriel Leconte, Insenborn (LU)**

OTHER PUBLICATIONS

U.S. Appl. No. 29/767,003, filed Jan. 20, 2021, Le, Goodyear.

Primary Examiner — John A Voytek

(74) *Attorney, Agent, or Firm* — June E. Rickey; Robert N. Lipsik

(73) Assignee: **The Goodyear Tire & Rubber Company, Akron, OH (US)**

(57) **CLAIM**

The ornamental design for a tire, as shown and described.

(*) Notice: This patent is subject to a terminal disclaimer.

DESCRIPTION

(**) Term: **15 Years**

FIG. 1 is a perspective view of a tire showing our new design, it being understood that the pattern repeats uniformly throughout the circumference of the tread;

(21) Appl. No.: **29/805,873**

FIG. 2 is a front elevational view thereof;

(22) Filed: **Aug. 31, 2021**

FIG. 3 is a right side elevational view thereof; the left side elevational view being identical thereto;

(51) **LOC (14) Cl.** **12-15**

FIG. 4 is an enlarged fragmentary front elevational view thereof;

(52) **U.S. Cl.**

USPC **D12/601**

(58) **Field of Classification Search**

USPC D12/568-605, 900, 901

CPC Y10T 152/10027; B60C 1/0016; B60C

11/0306; B60C 11/0302; B60C 3/06;

B60C 9/17

See application file for complete search history.

FIG. 5 is a perspective view of a second embodiment of a tire showing our new design, it being understood that the interior of the tire forms no part of the claim, that the pattern repeats uniformly throughout the circumference of the tread and that the opposite side view is identical thereto; and,

FIG. 6 is a front elevational view of a second embodiment, it being understood that an enlarged fragmentary view thereof would be substantially identical to that shown in FIG. 4, with the exception of the inclusion of the sidewall in the claim.

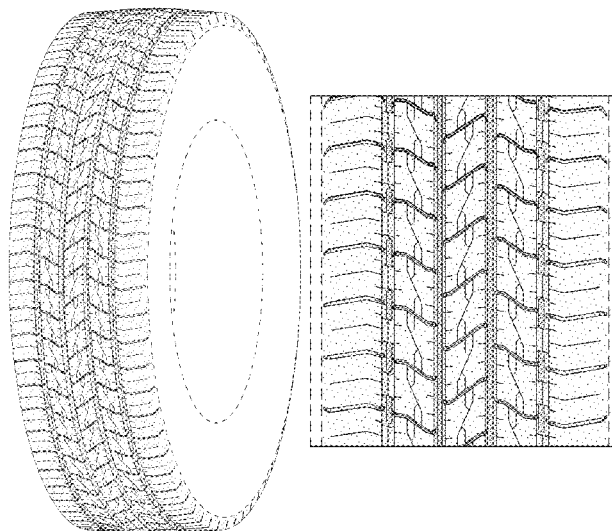
In the drawings, the broken lines immediately adjacent to the outer edges of the tire shoulder represent boundaries of the claim, and the broken lines depict environmental subject matter only and form no part of the claimed design.

(56) **References Cited**

U.S. PATENT DOCUMENTS

D414,447 S	9/1999	Weber et al.	D12/143
D481,670 S	11/2003	Harden, Jr. et al.	D12/595
D481,992 S	11/2003	Harden, Jr. et al.	D12/595
D583,309 S	12/2008	Licht et al.	D12/588
D601,951 S	10/2009	Haga	D12/590
D647,040 S	10/2011	Mathonet et al.	D12/588

1 Claim, 6 Drawing Sheets



(56)

References Cited

U.S. PATENT DOCUMENTS

D812,551	S *	3/2018	Stanley	D12/601
D816,021	S *	4/2018	Hiser	D12/601
D817,261	S	5/2018	Becker et al.	D12/553
D819,555	S *	6/2018	Schimmoller, Jr.	D12/600
D822,588	S *	7/2018	Skurich	D12/600
D830,959	S	10/2018	Fontaine et al.	D12/574
D852,125	S *	6/2019	Davis	D12/601
D853,949	S *	7/2019	Zimmerman	D12/601
D855,011	S	7/2019	Le et al.	D12/588
D868,680	S	12/2019	Becker et al.	D12/588
D879,016	S	3/2020	Liu	D12/521
D886,038	S *	6/2020	Lamb	D12/600
D892,720	S *	8/2020	Wang	D12/601
D900,013	S	10/2020	Guilford et al.	D12/588
D926,671	S *	8/2021	Hutz	D12/601
D929,313	S *	8/2021	Smith	D12/595
D969,064	S *	11/2022	Pingenat	D12/595
D973,012	S *	12/2022	Hiser	D12/601
2007/0107220	A1 *	5/2007	Bakhuis	B29C 70/086 29/889.7

* cited by examiner

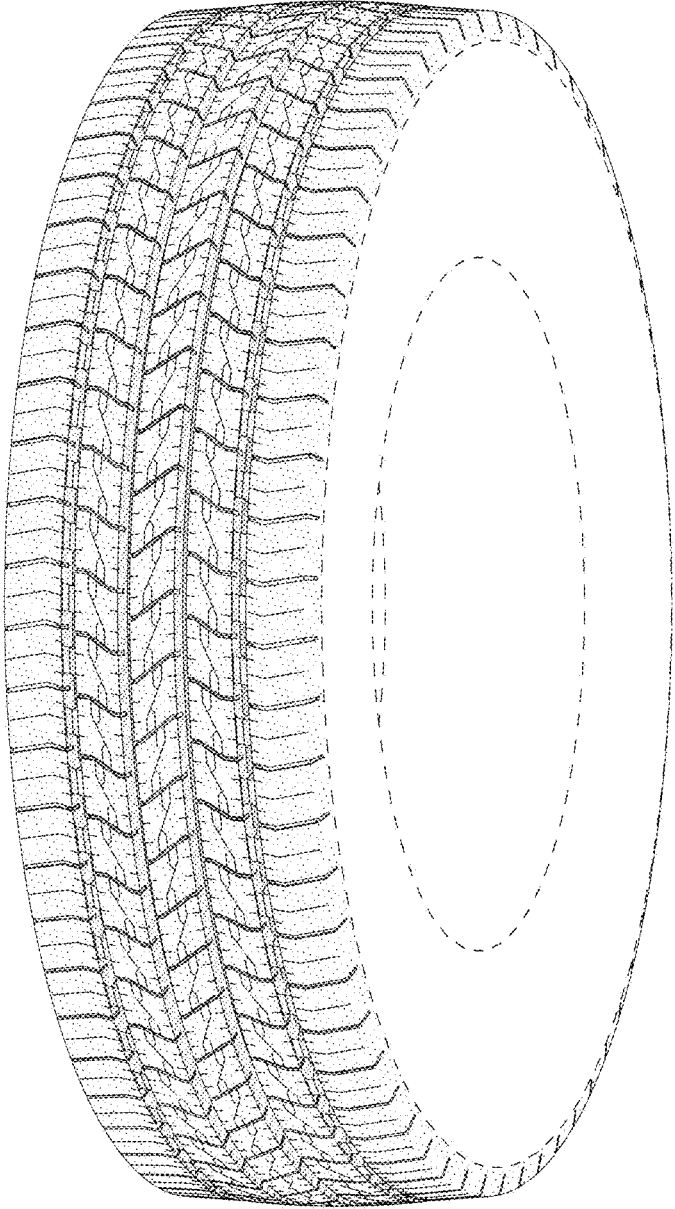


FIG - 1

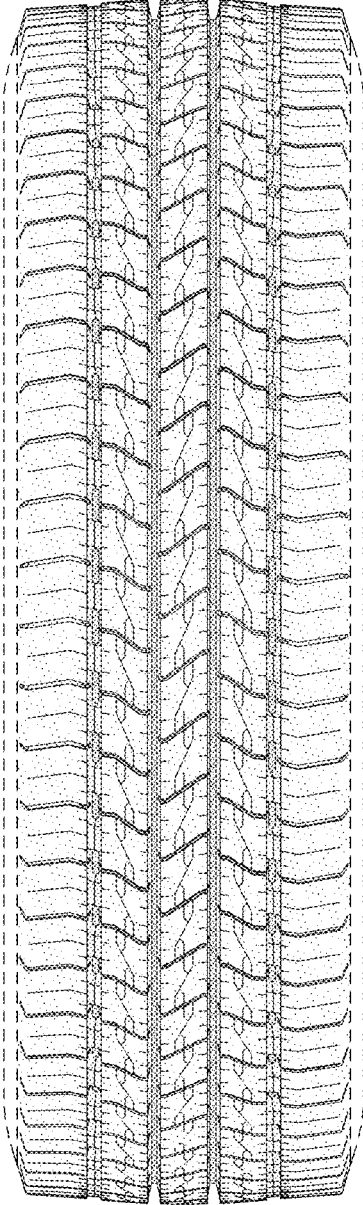


FIG - 2

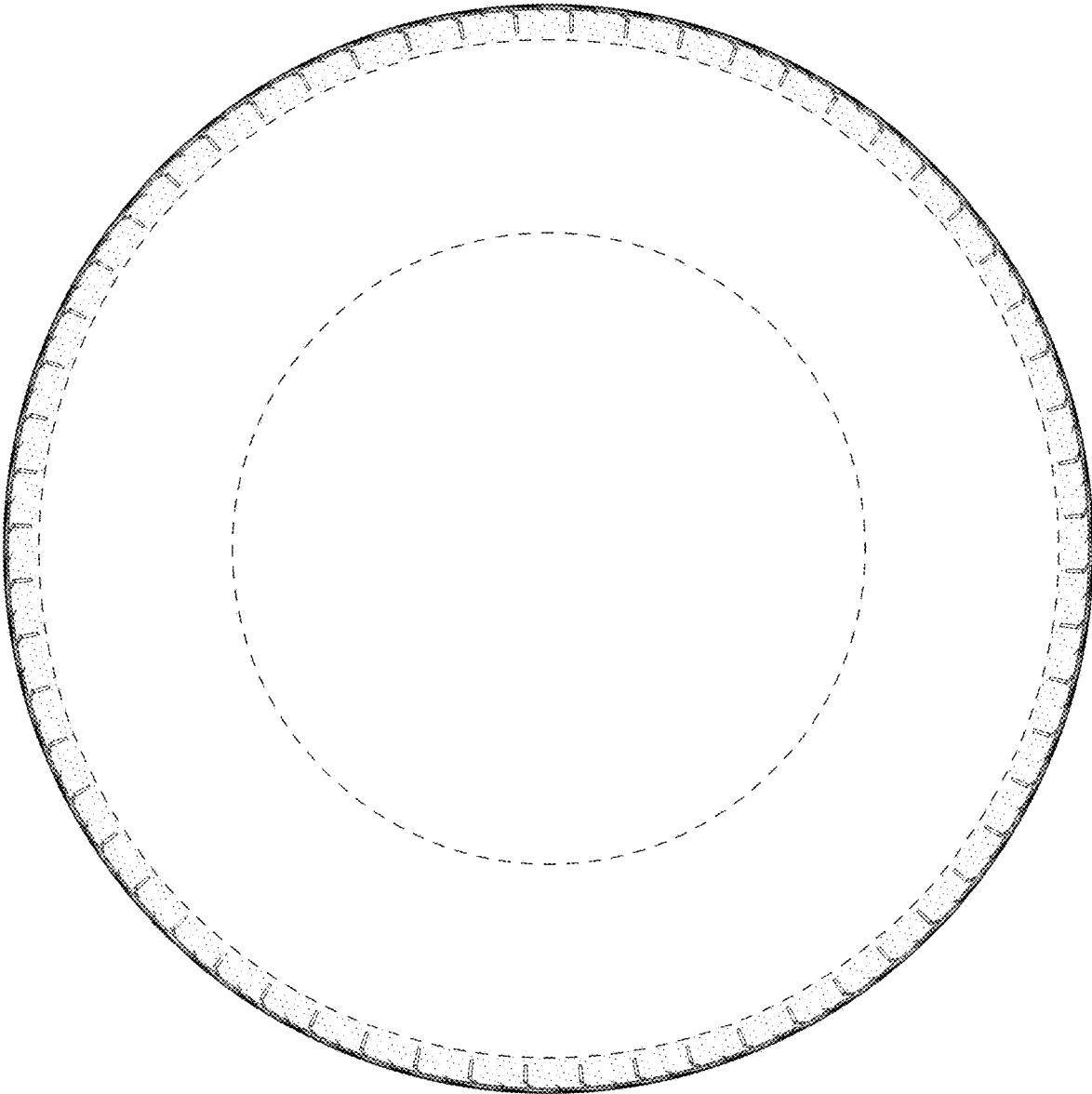


FIG - 3

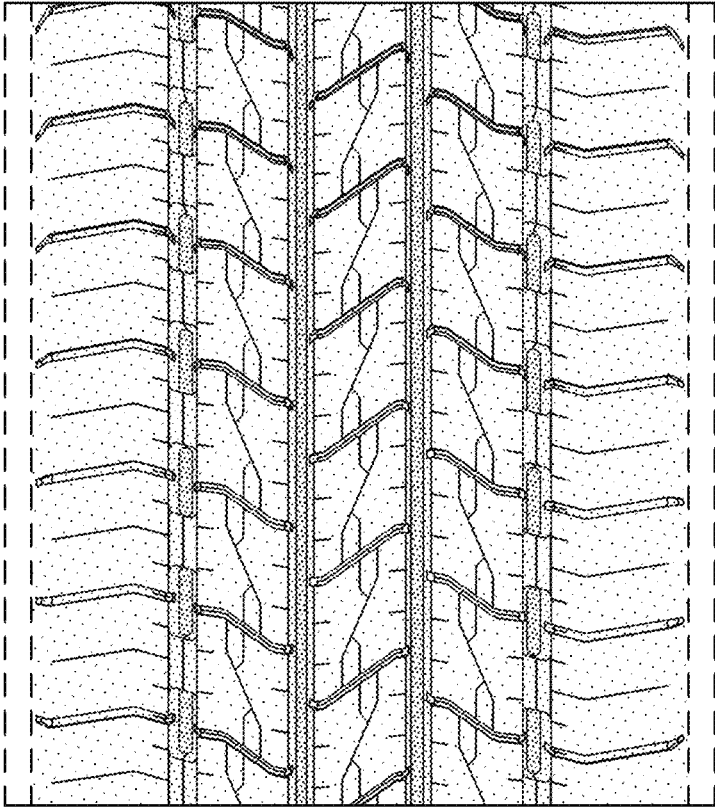


FIG - 4

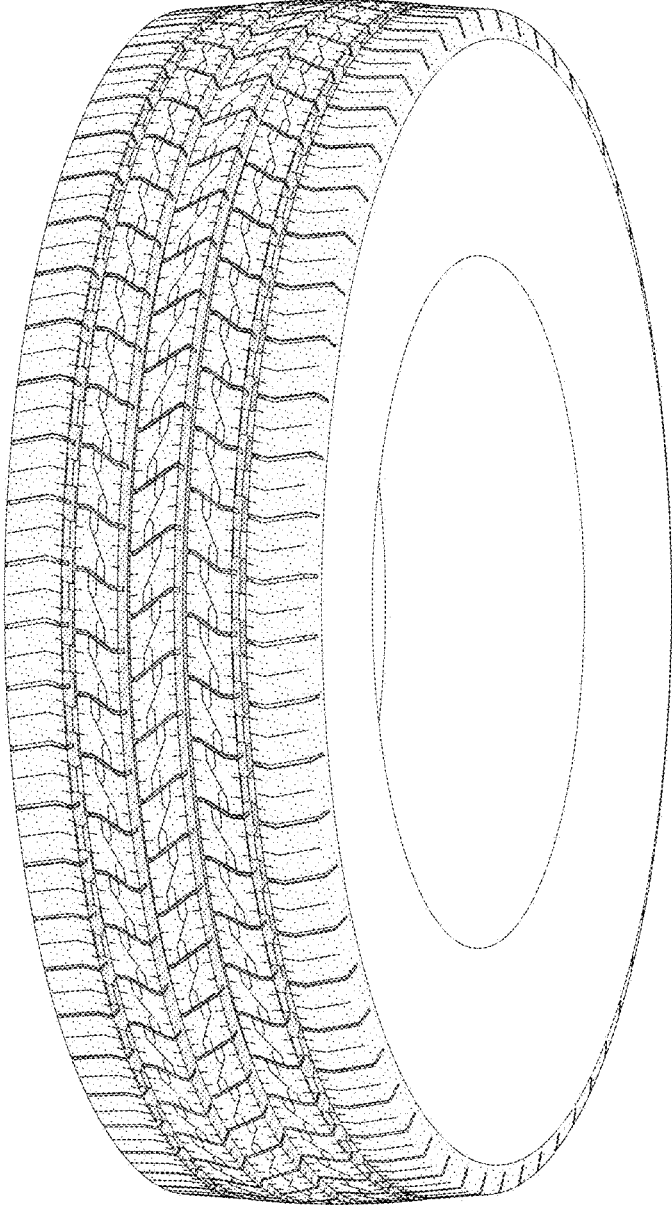


FIG - 5

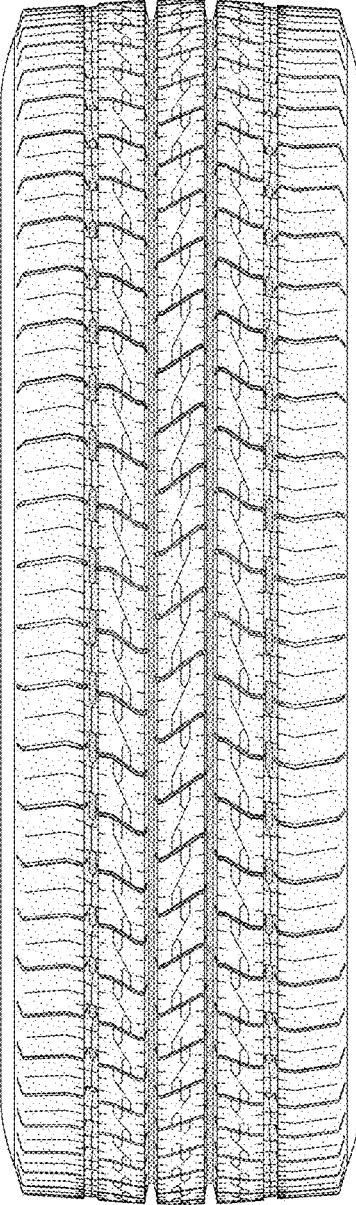


FIG - 6