

(19) World Intellectual Property Organization
International Bureau



(43) International Publication Date
8 November 2007 (08.11.2007)

PCT

(10) International Publication Number
WO 2007/127943 A3

(51) International Patent Classification:
A47C 7/42 (2006.01)

Mark J. [US/US]; 15751 - 148th Avenue, Spring Lake, Michigan 49456 (US).

(21) International Application Number:
PCT/US2007/067679

(74) Agent: HARRIS, Lisa R.; Price, Heneveld, Cooper, DeWitt & Litton, LLP, 695 Kenmoor, S.E., P.O. Box 2567, Grand Rapids, Michigan 49501-2567 (US).

(22) International Filing Date: 27 April 2007 (27.04.2007)

(25) Filing Language: English

(81) Designated States (unless otherwise indicated, for every kind of national protection available): AE, AG, AL, AM, AT, AU, AZ, BA, BB, BG, BH, BR, BW, BY, BZ, CA, CH, CN, CO, CR, CU, CZ, DE, DK, DM, DZ, EC, EE, EG, ES, FI, GB, GD, GE, GH, GM, GT, HN, HR, HU, ID, IL, IN, IS, JP, KE, KG, KM, KN, KP, KR, KZ, LA, LC, LK, LR, LS, LT, LU, LY, MA, MD, MG, MK, MN, MW, MX, MY, MZ, NA, NG, NI, NO, NZ, OM, PG, PH, PL, PT, RO, RS, RU, SC, SD, SE, SG, SK, SL, SM, SV, SY, TJ, TM, TN, TR, TT, TZ, UA, UG, US, UZ, VC, VN, ZA, ZM, ZW.

(26) Publication Language: English

(30) Priority Data:
60/796,080 28 April 2006 (28.04.2006) US

(71) Applicant (for all designated States except US): STEEL-CASE DEVELOPMENT CORPORATION [US/US]; 6100 East Paris Avenue, S.E., Caledonia, Michigan 49316 (US).

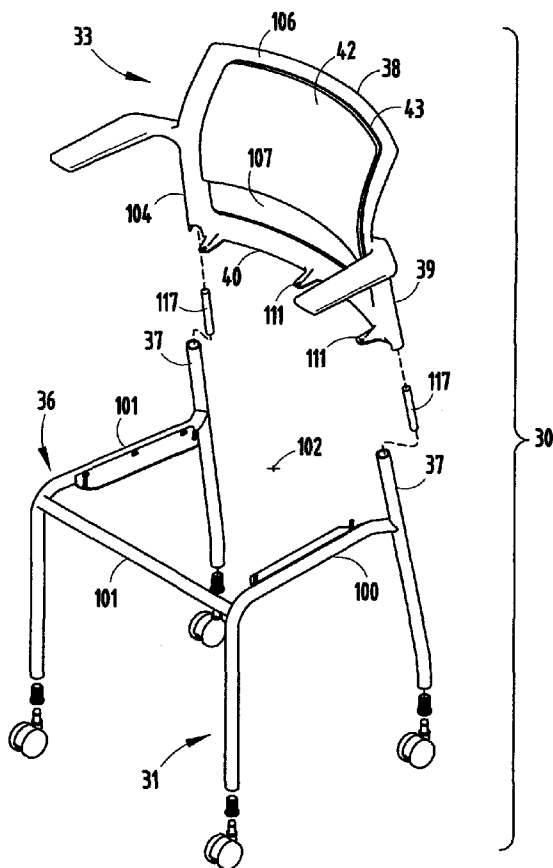
(72) Inventors; and

(84) Designated States (unless otherwise indicated, for every kind of regional protection available): ARIPO (BW, GH, GM, KE, LS, MW, MZ, NA, SD, SL, SZ, TZ, UG, ZM, ZW), Eurasian (AM, AZ, BY, KG, KZ, MD, RU, TJ, TM), European (AT, BE, BG, CH, CY, CZ, DE, DK, EE, ES, FI,

(75) Inventors/Applicants (for US only): BATTEY, Robert J. [US/US]; 6880 Bair Drive, Middleville, Michigan 49333 (US). HOLDREDGE, Russell T. [US/US]; 7820 Wedgemont Court, Alto, Michigan 49302 (US). DINNEWETH,

[Continued on next page]

(54) Title: SEATING CONSTRUCTION AND METHOD OF ASSEMBLY



(57) Abstract: A seating unit includes a rearwardly-open base frame with a pair of uprights on opposite rear side portions in spaced apart positions. A molded back has corner sections with cavities for matably telescopingly engaging the uprights, and a beam section extending between the corner sections for stabilizing the rear side portions when the molded back is engaging the uprights. A seat fastened to the base frame engages the molded back to retain the molded back on the upright sections. A cushion attached by a line of adhesive is perforated inward of the line, such that a majority of the cushion can be pulled off by tearing along the perforation line, allowing quick separation for recycling. The uprights have reduced an upper diameter for aesthetics but extend upwardly sufficiently to support armrest on the back.

WO 2007/127943 A3



FR, GB, GR, HU, IE, IS, IT, LT, LU, LV, MC, MT, NL, PL,
PT, RO, SE, SI, SK, TR), OAPI (BF, BJ, CF, CG, CI, CM,
GA, GN, GQ, GW, ML, MR, NE, SN, TD, TG).

Published:

- *with international search report*
- *before the expiration of the time limit for amending the claims and to be republished in the event of receipt of amendments*

Declarations under Rule 4.17:

- *as to applicant's entitlement to apply for and be granted a patent (Rule 4.17(ii))*
- *as to the applicant's entitlement to claim the priority of the earlier application (Rule 4.17(iii))*

(88) Date of publication of the international search report:
13 November 2008

INTERNATIONAL SEARCH REPORT

International application No.

PCT/US07/67679

A. CLASSIFICATION OF SUBJECT MATTER
 IPC: **A47C 7/42(2006.01)**

 USPC: 297/440.21,451.1,451.11
 According to International Patent Classification (IPC) or to both national classification and IPC

B. FIELDS SEARCHED

Minimum documentation searched (classification system followed by classification symbols)
 U.S. : 297/411.2,411.25,411.29,440.11,440.15,440.21,451.1,451.11,452.14,452.15,452.55,452.59,452.60,463.2; 29/91

Documentation searched other than minimum documentation to the extent that such documents are included in the fields searched

Electronic data base consulted during the international search (name of data base and, where practicable, search terms used)

C. DOCUMENTS CONSIDERED TO BE RELEVANT

Category *	Citation of document, with indication, where appropriate, of the relevant passages	Relevant to claim No.
Y	US D161,177 A (HARRISON) 12 December 1950 (12.12.50), see fig. 1	1-13,25-30
Y	US 2,853,317 A (VALTRI) 20 May 1958 (20.05.58), see fig. 1	1-13,25-30
Y	US 3,111,344 A (HOVEN ET AL) 19 November 1963 (19.11.63), see figs. 1,4	1-3
Y	US 4,919,485 A (GUICHON) 24 April 1990 (24.04.90), see figs. 2,5,7	4-6,11-13
Y	US 2,832,397 A (PREMO) 29 April 1958 (29.04.58), see fig. 1,4	4-6,11-13
Y	US 2,306,878 A (GREITZER) 29 December 1942 (29.12.42), see fig.5	7-9
Y	US 6,607,243 B (KAIN) 19 August 2003 (19.08.03), see fig. 1	10

Further documents are listed in the continuation of Box C. See patent family annex.

Special categories of cited documents:		
"A" document defining the general state of the art which is not considered to be of particular relevance	"T"	later document published after the international filing date or priority date and not in conflict with the application but cited to understand the principle or theory underlying the invention
"E" earlier application or patent published on or after the international filing date	"X"	document of particular relevance; the claimed invention cannot be considered novel or cannot be considered to involve an inventive step when the document is taken alone
"L" document which may throw doubts on priority claim(s) or which is cited to establish the publication date of another citation or other special reason (as specified)	"Y"	document of particular relevance; the claimed invention cannot be considered to involve an inventive step when the document is combined with one or more other such documents, such combination being obvious to a person skilled in the art
"O" document referring to an oral disclosure, use, exhibition or other means		
"P" document published prior to the international filing date but later than the priority date claimed	"&"	document member of the same patent family

Date of the actual completion of the international search: 12 August 2008 (12.08.2008) Date of mailing of the international search report: 05 SEP 2008

Name and mailing address of the ISA/US: Mail Stop PCT, Attn: ISA/US, Commissioner for Patents, P.O. Box 1450, Alexandria, Virginia 22313-1450, Facsimile No. (571) 273-3201
 Authorized officer: Peter R. Brown (signature), Telephone No. 571-272-6853

INTERNATIONAL SEARCH REPORT

International application No.
PCT/US07/67679

C (Continuation). DOCUMENTS CONSIDERED TO BE RELEVANT		
Category *	Citation of document, with indication, where appropriate, of the relevant passages	Relevant to claim No.
A	US 4,765,045 A (SELBERT ET AL) 23 August 1988 (23.08.88), see figs. 2,5-7	14-24
A	US 5,669,129 A (SMITH ET AL) 23 September 1997 (23.09.97), see figs. 1-6	14-24
A	US 5,964,017 A (ROBERTS) 12 October 1999 (12.10.99), see figs. 1-10	14-24