



(51) International Patent Classification:
H02J 3/00 (2006.01) H04Q 9/00 (2006.01)
H02J 13/00 (2006.01)

(74) Agent: HENRY, Daniel, J.; Honigman Miller Schwartz
And Cohn LLP, 38500 Woodward Avenue, Suite 100,
Bloomfield Hills, MI 48304-5048 (US).

(21) International Application Number:
PCT/US2010/040351

(81) Designated States (unless otherwise indicated, for every
kind of national protection available): AE, AG, AL, AM,
AO, AT, AU, AZ, BA, BB, BG, BH, BR, BW, BY, BZ,
CA, CH, CL, CN, CO, CR, CU, CZ, DE, DK, DM, DO,
DZ, EC, EE, EG, ES, FI, GB, GD, GE, GH, GM, GT,
HN, HR, HU, ID, IL, IN, IS, JP, KE, KG, KM, KN, KP,
KR, KZ, LA, LC, LK, LR, LS, LT, LU, LY, MA, MD,
ME, MG, MK, MN, MW, MX, MY, MZ, NA, NG, NI,
NO, NZ, OM, PE, PG, PH, PL, PT, RO, RS, RU, SC, SD,
SE, SG, SK, SL, SM, ST, SV, SY, TH, TJ, TM, TN, TR,
TT, TZ, UA, UG, US, UZ, VC, VN, ZA, ZM, ZW.

(22) International Filing Date:
29 June 2010 (29.06.2010)

(25) Filing Language: English

(26) Publication Language: English

(30) Priority Data:
12/494,155 29 June 2009 (29.06.2009) US

(71) Applicant (for all designated States except US): HAM-
MERHEAD INTERNATIONAL, LLC [US/US]; 31780
Telegraph Road, Suite 250, Bingham Farms, MI 48025
(US).

(84) Designated States (unless otherwise indicated, for every
kind of regional protection available): ARIPO (BW, GH,
GM, KE, LR, LS, MW, MZ, NA, SD, SL, SZ, TZ, UG,
ZM, ZW), Eurasian (AM, AZ, BY, KG, KZ, MD, RU, TJ,
TM), European (AL, AT, BE, BG, CH, CY, CZ, DE, DK,
EE, ES, FI, FR, GB, GR, HR, HU, IE, IS, IT, LT, LU,
LV, MC, MK, MT, NL, NO, PL, PT, RO, SE, SI, SK,
SM, TR), OAPI (BF, BJ, CF, CG, CI, CM, GA, GN, GQ,
GW, ML, MR, NE, SN, TD, TG).

(72) Inventors; and

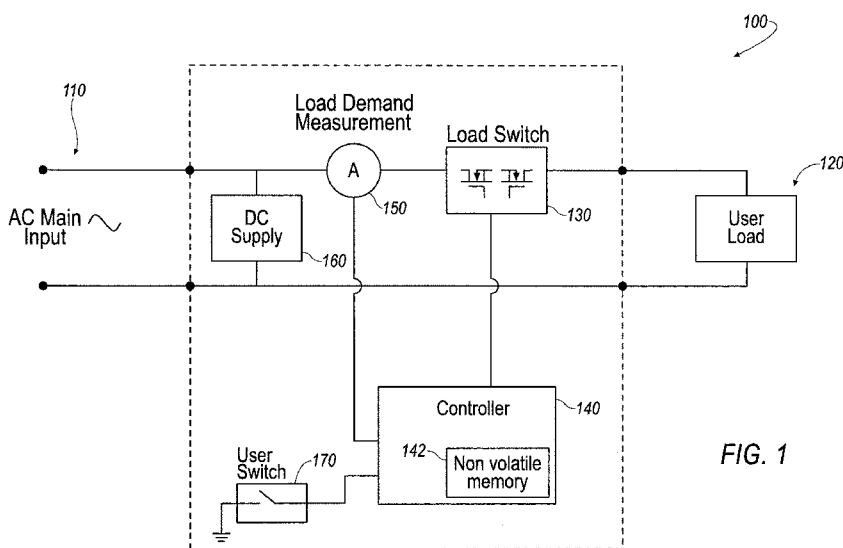
(75) Inventors/Applicants (for US only): HODGES, Joseph,
W. [US/US]; 260 Guilford Road, Bloomfield Hills, MI
48304 (US). SOPUCH, John, Anthony [US/US]; 2085
Pontiac Drive, Sylvan Lake, MI 48320 (US). LASKY,
Thomas, D. [US/US]; 260 Guilford Road, Bloomfield
Hills, MI 48304 (US). HODGES, Richard, J. [US/US];
260 Guilford Road, Bloomfield Hills, MI 48304 (US).

Published:

— with international search report (Art. 21(3))

[Continued on next page]

(54) Title: SYSTEM AND METHOD FOR LOAD CONTROL



(57) Abstract: A system is described including a master power saving device configured for connection with a master load. The master power saving device is configured to determine when the master load is in an operating condition and a non-operating condition, and the master power saving device provides non-continuous power to the master load when the master load is in a non-operating condition. A slave power saving device is configured for connection with a slave load. The slave power saving device is configured to receive a signal from the master power saving device to turn off said slave load.





— *before the expiration of the time limit for amending the claims and to be republished in the event of receipt of amendments (Rule 48.2(h))*

(88) Date of publication of the international search report:
31 March 2011

A. CLASSIFICATION OF SUBJECT MATTER***H02J 3/00(2006.01)i, H02J 13/00(2006.01)i, H04Q 9/00(2006.01)i***

According to International Patent Classification (IPC) or to both national classification and IPC

B. FIELDS SEARCHED

Minimum documentation searched (classification system followed by classification symbols)

H02J 3/00; G06F 1/26; G06F 1/00; G06F 1/32

Documentation searched other than minimum documentation to the extent that such documents are included in the fields searched

Korean utility models and applications for utility models

Japanese utility models and applications for utility models

Electronic data base consulted during the international search (name of data base and, where practicable, search terms used)

eKOMPASS(KIPO internal) & Keywords: master, slave, power saving device, operating condition, non-operating condition

C. DOCUMENTS CONSIDERED TO BE RELEVANT

Category*	Citation of document, with indication, where appropriate, of the relevant passages	Relevant to claim No.
A	US 2008-0059819 A1 (SU-YONG KIM) 06 March 2008 See abstract; claims 1, 11-13; figure 2.	1-20
A	US 2006-0184809 A1 (AKIHIRO KOJOU et al.) 17 August 2006 See abstract; claims 1-4; figures 3-5.	1-20
A	US 2006-0218419 A1 (RYUICHI IWAMURA et al.) 28 September 2006 See abstract; claims 1, 3, 5-6; figure 4.	1-20
A	US 2005-0262367 A1 (PO-SHENG SHIH) 24 November 2005 See abstract; claims 1-7; figure 1.	1-20

 Further documents are listed in the continuation of Box C. See patent family annex.

* Special categories of cited documents:

"A" document defining the general state of the art which is not considered to be of particular relevance

"E" earlier application or patent but published on or after the international filing date

"L" document which may throw doubts on priority claim(s) or which is cited to establish the publication date of citation or other special reason (as specified)

"O" document referring to an oral disclosure, use, exhibition or other means

"P" document published prior to the international filing date but later than the priority date claimed

"T" later document published after the international filing date or priority date and not in conflict with the application but cited to understand the principle or theory underlying the invention

"X" document of particular relevance; the claimed invention cannot be considered novel or cannot be considered to involve an inventive step when the document is taken alone

"Y" document of particular relevance; the claimed invention cannot be considered to involve an inventive step when the document is combined with one or more other such documents, such combination being obvious to a person skilled in the art

"&" document member of the same patent family


Date of the actual completion of the international search

24 JANUARY 2011 (24.01.2011)

Date of mailing of the international search report

25 JANUARY 2011 (25.01.2011)

Name and mailing address of the ISA/KR


 Korean Intellectual Property Office
 Government Complex-Daejeon, 139 Seonsa-ro, Seo-gu, Daejeon 302-701, Republic of Korea

Facsimile No. 82-42-472-7140

Authorized officer

WEE Jae Woo

Telephone No. 82-42-481-8540



INTERNATIONAL SEARCH REPORT

Information on patent family members

International application No.

PCT/US2010/040351

Patent document cited in search report	Publication date	Patent family member(s)	Publication date
US 2008-0059819 A1	06.03.2008	CN 101256440 A KR 10-2008-0022408 A	03.09.2008 11.03.2008
US 2006-0184809 A1	17.08.2006	CN 1818828 A CN 1818828 C0 JP 04-594761 B2 JP 2006-221453 A US 7539883 B2	16.08.2006 02.01.2008 24.09.2010 24.08.2006 26.05.2009
US 2006-0218419 A1	28.09.2006	CA 2601117-A1 EP 1872190 A2 MX 2007011277 A US 7624290 B2 WO 2006-101775 A2 WO 2006-101775 A3 WO 2006-101775 A9	28.09.2006 02.01.2008 12.11.2007 24.11.2009 28.09.2006 04.10.2007 23.11.2006
US 2005-0262367 A1	24.11.2005	TW 248568 B	01.02.2006