



US00D792414S

(12) **United States Design Patent**  
**Floersch et al.**

(10) **Patent No.:** **US D792,414 S**

(45) **Date of Patent:** **\*\* Jul. 18, 2017**

(54) **TERMINAL DISPLAY STAND WITH  
ARTICULATABLE JOINTS**

(71) Applicant: **Engineered Network Systems, LLC,**  
Burnsville, MN (US)

(72) Inventors: **Peter J. Floersch,** Lakeville, MN (US);  
**Stephen A. Nistler,** Eagan, MN (US);  
**Aaron Z. McLaughlin,** Saint Paul, MN  
(US); **Paul M. Smith,** Apple Valley,  
MN (US)

(73) Assignee: **ENGINEERED NETWORKS  
SYSTEMS, LLC,** Burnsville, MN (US)

(\*\*) Term: **15 Years**

(21) Appl. No.: **29/563,537**

(22) Filed: **May 5, 2016**

(51) **LOC (10) CL.** ..... **08-07**

(52) **U.S. Cl.**  
USPC ..... **D14/447**

(58) **Field of Classification Search**  
USPC ..... D14/447, 432, 434, 439, 440, 451, 452,  
D14/457, 239; D12/415; D6/406.3,  
D6/406.4, 406.5, 406.6; D8/363, 373,  
D8/380  
CPC ..... A47B 21/04; A47B 2097/006; A47B  
2097/005; A47B 2023/049; A45C  
2011/002; A45C 2011/003; F16M  
2200/00; F16M 13/00  
See application file for complete search history.

(56) **References Cited**

**U.S. PATENT DOCUMENTS**

D508,916 S \* 8/2005 Lee ..... D14/434  
D644,230 S \* 8/2011 Lin ..... D14/447  
D667,012 S \* 9/2012 Chen ..... D14/447  
D672,356 S \* 12/2012 Quijano ..... D14/447  
D687,832 S \* 8/2013 Edwards ..... D14/447

D690,306 S \* 9/2013 Malisse ..... D14/447  
D705,234 S \* 5/2014 Guran ..... D14/447  
D708,187 S \* 7/2014 Xiang ..... D14/447  
9,267,638 B2 2/2016 Le Gette et al.  
D750,515 S \* 3/2016 Ditges ..... D10/74  
D759,002 S \* 6/2016 Won ..... D14/239  
D760,724 S \* 7/2016 Kang ..... D14/447

(Continued)

*Primary Examiner* — Angela J Lee

(74) *Attorney, Agent, or Firm* — Haugen Law Firm PLLP

(57) **CLAIM**

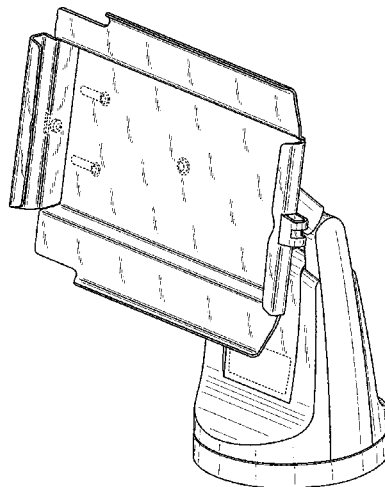
The ornamental design for a terminal display stand with articlatable joints, as shown and described.

**DESCRIPTION**

FIG. 1 is a front top perspective view of the terminal display stand with articlatable joints;  
FIG. 2 is a front perspective view of the terminal display stand with articlatable joints absent the terminal environmental structure;  
FIG. 3 is a rear top perspective view of the terminal display stand with articlatable joints;  
FIG. 4 is a rear bottom perspective view of the terminal display stand with articlatable joints;  
FIG. 5 is a front elevational view of the terminal display stand with articlatable joints;  
FIG. 6 is a rear elevational view of the terminal display stand with articlatable joints;  
FIG. 7 is a left side elevational view of the terminal display stand with articlatable joints;  
FIG. 8 is a right side elevational view of the terminal display stand with articlatable joints;  
FIG. 9 is a top plan view of the terminal display stand with articlatable joints; and,  
FIG. 10 is a bottom plan view of the terminal display stand with articlatable joints.

The broken line showing is for illustrative purposes only, and forms no part of the claimed design.

**1 Claim, 9 Drawing Sheets**



(56)

**References Cited**

U.S. PATENT DOCUMENTS

D772,739 S \* 11/2016 Browning ..... D10/74  
D778,277 S \* 2/2017 Haller ..... D14/336

\* cited by examiner

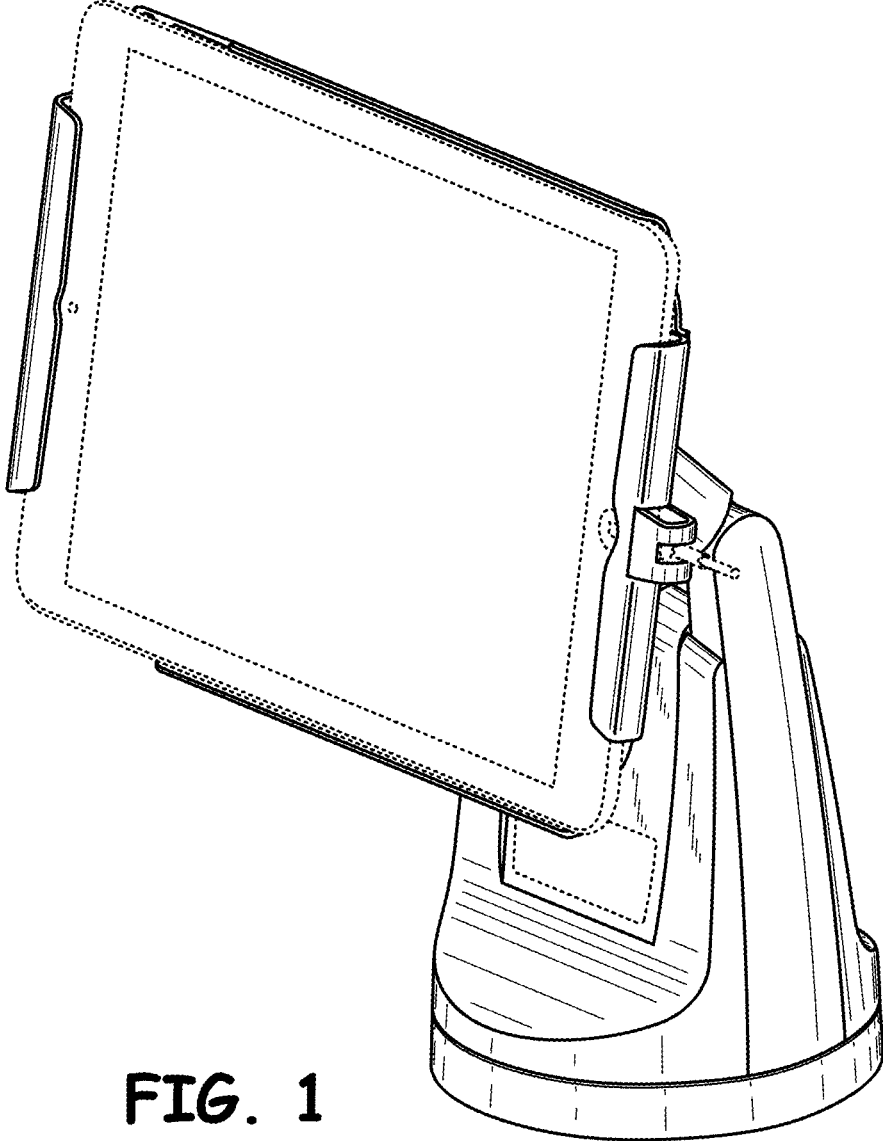


FIG. 1

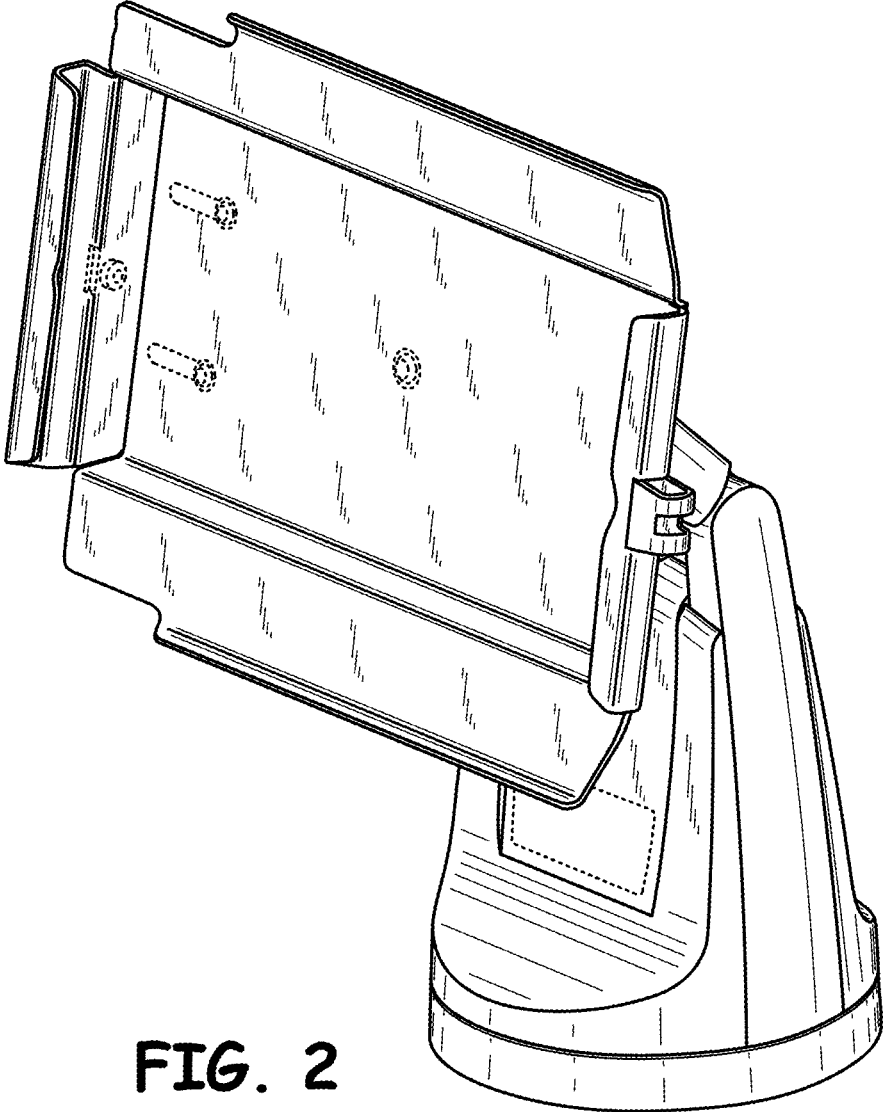


FIG. 2

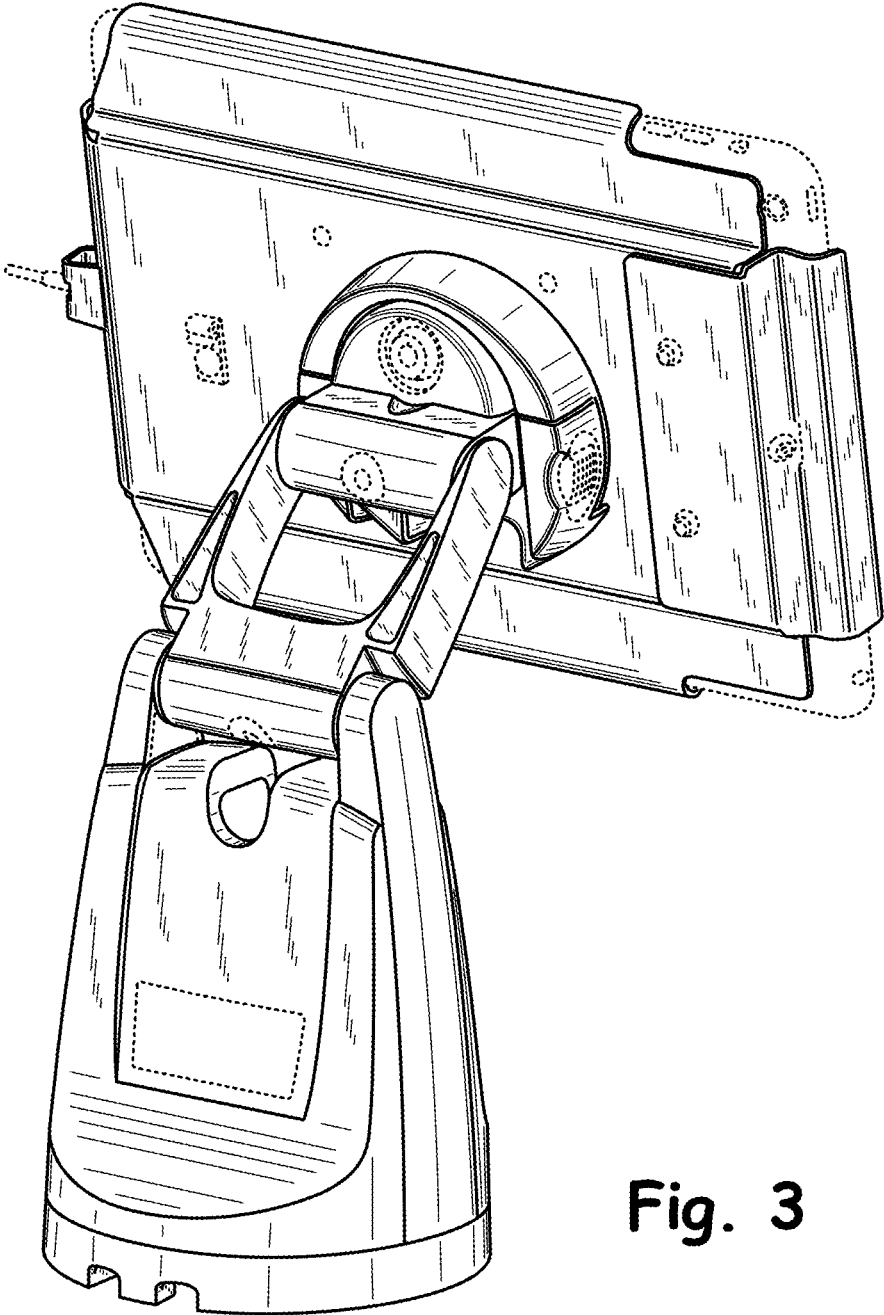


Fig. 3

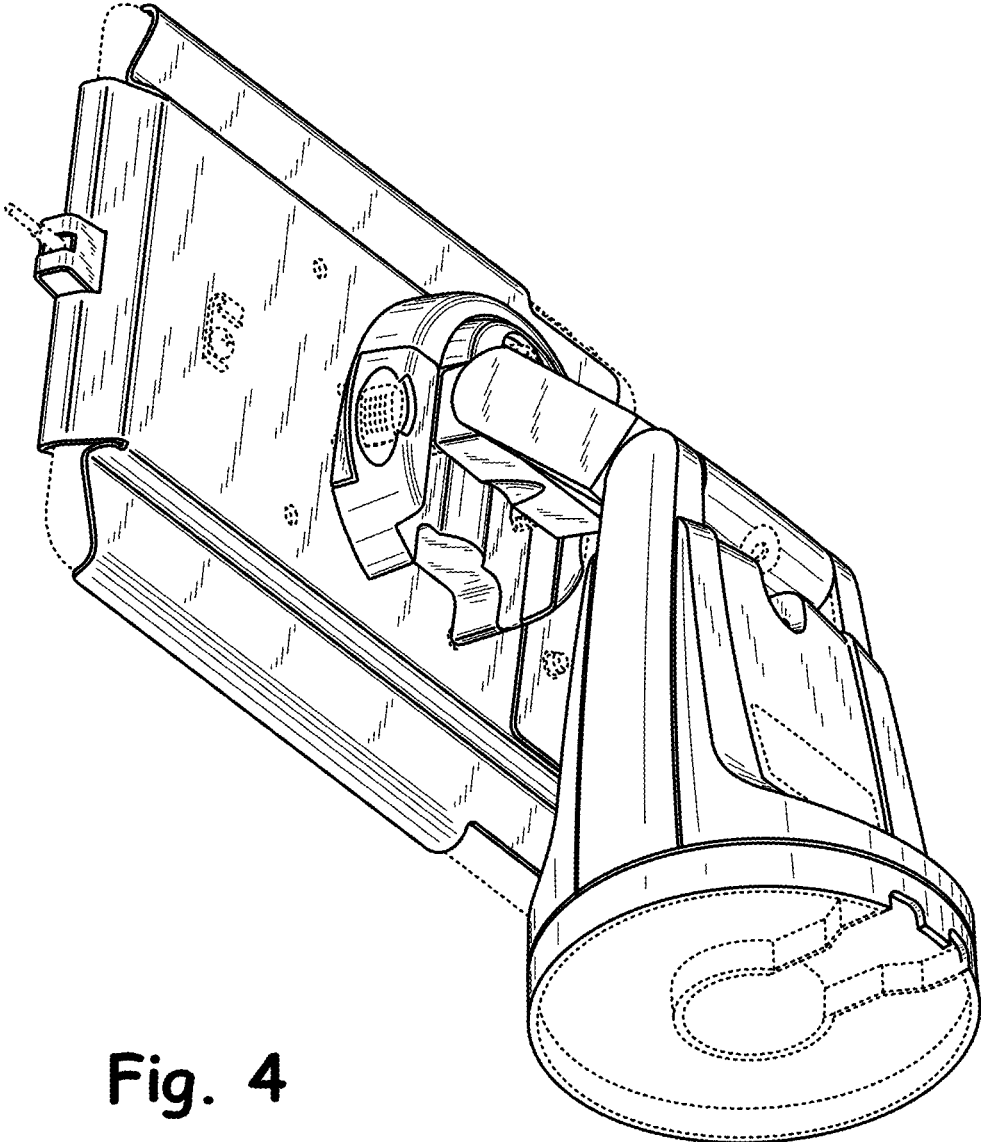


Fig. 4

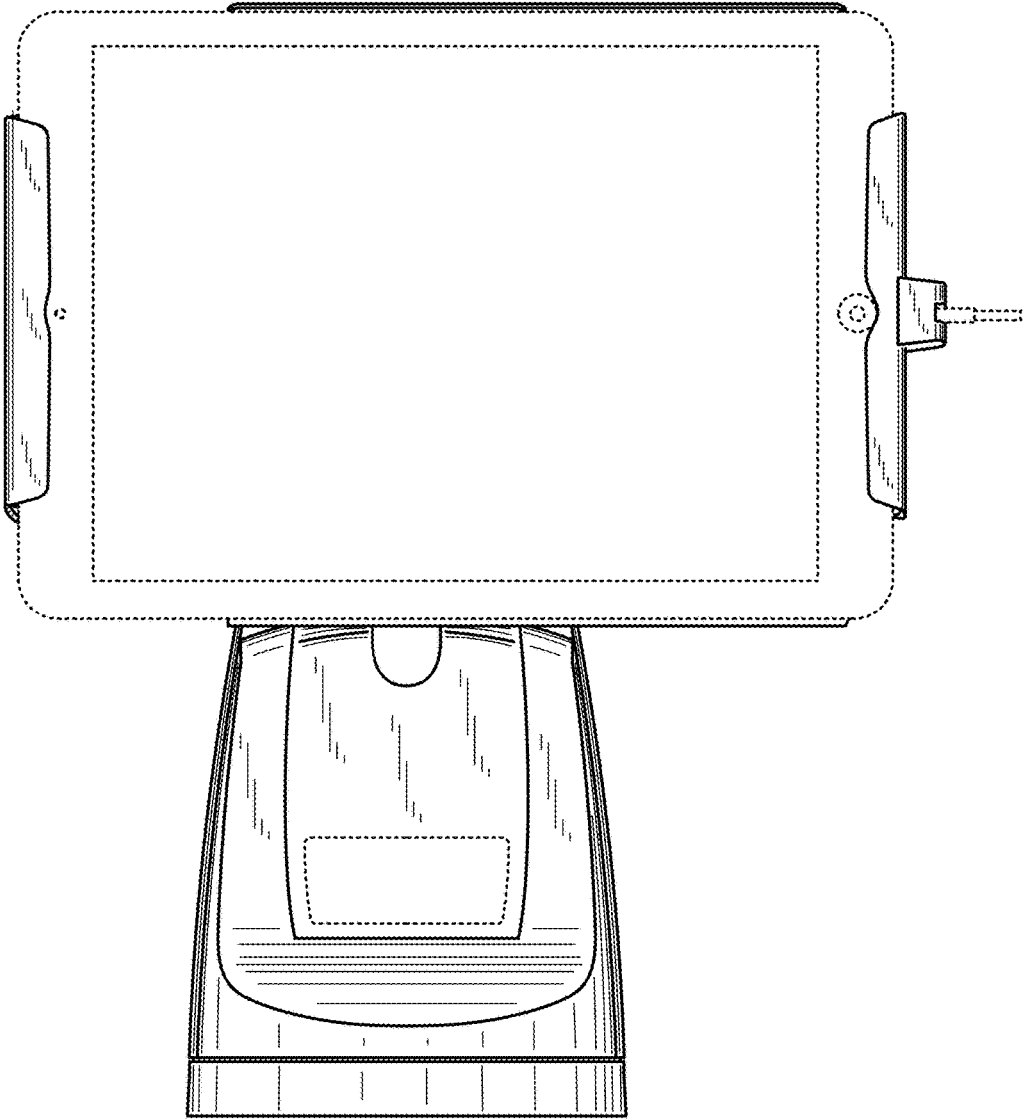


Fig. 5

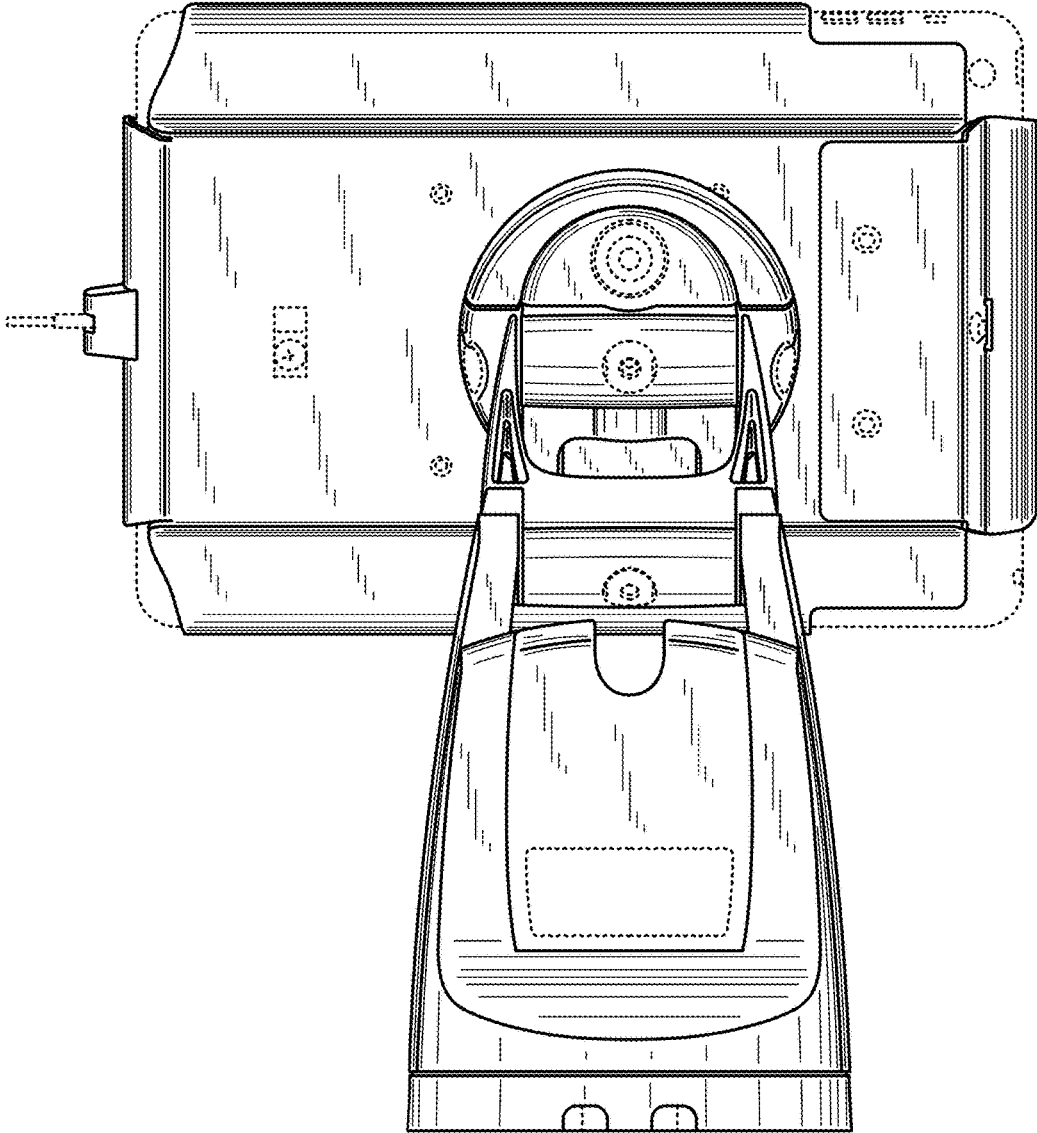


Fig. 6



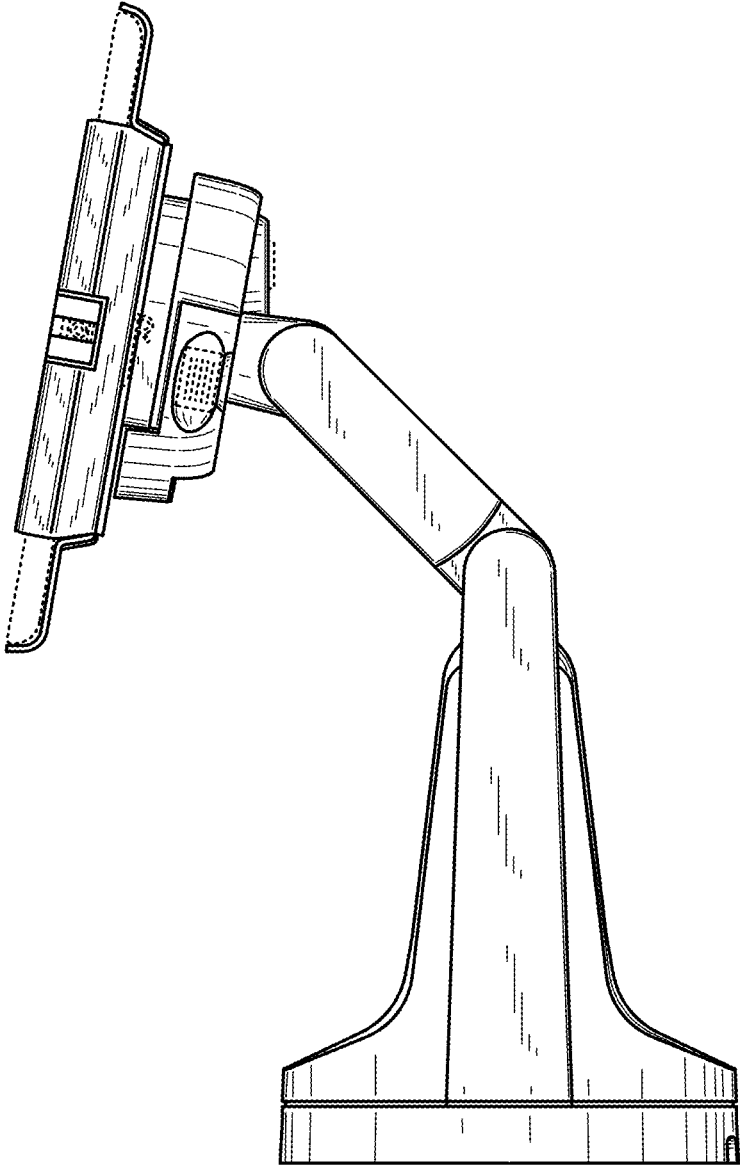


Fig. 7

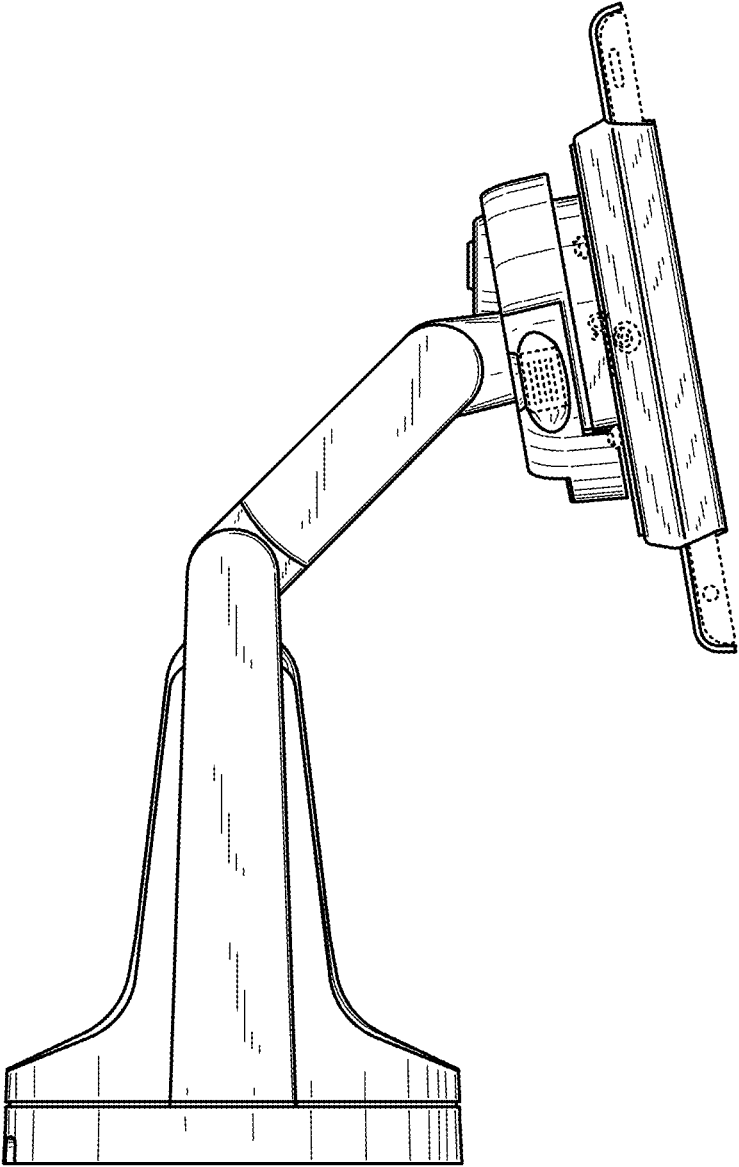


Fig. 8

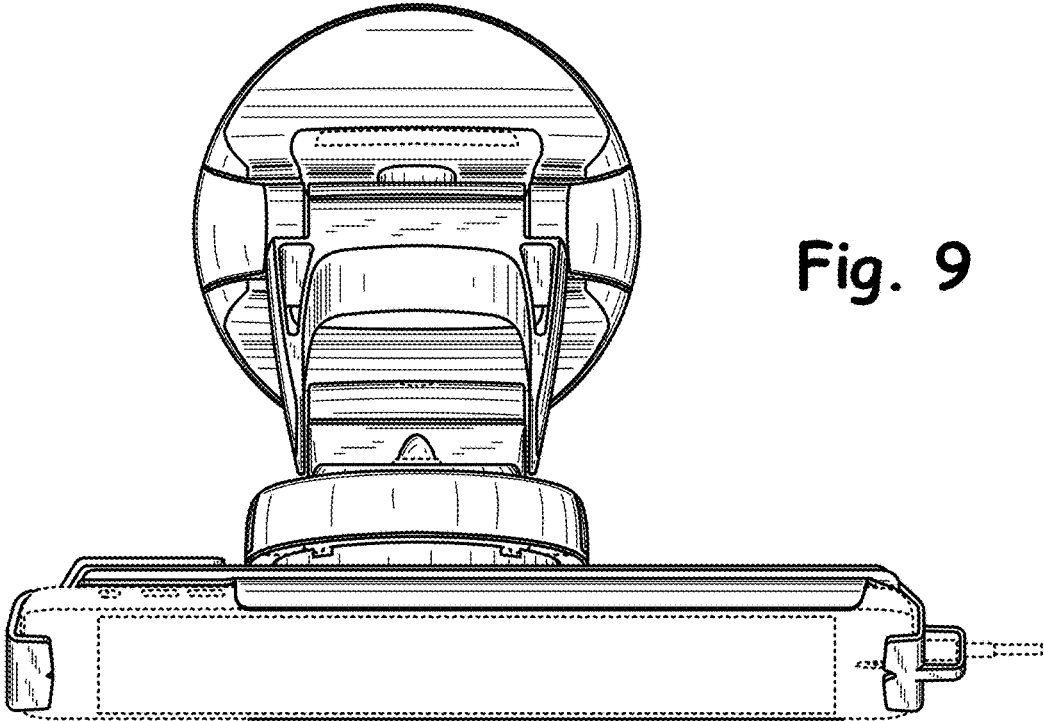


Fig. 9

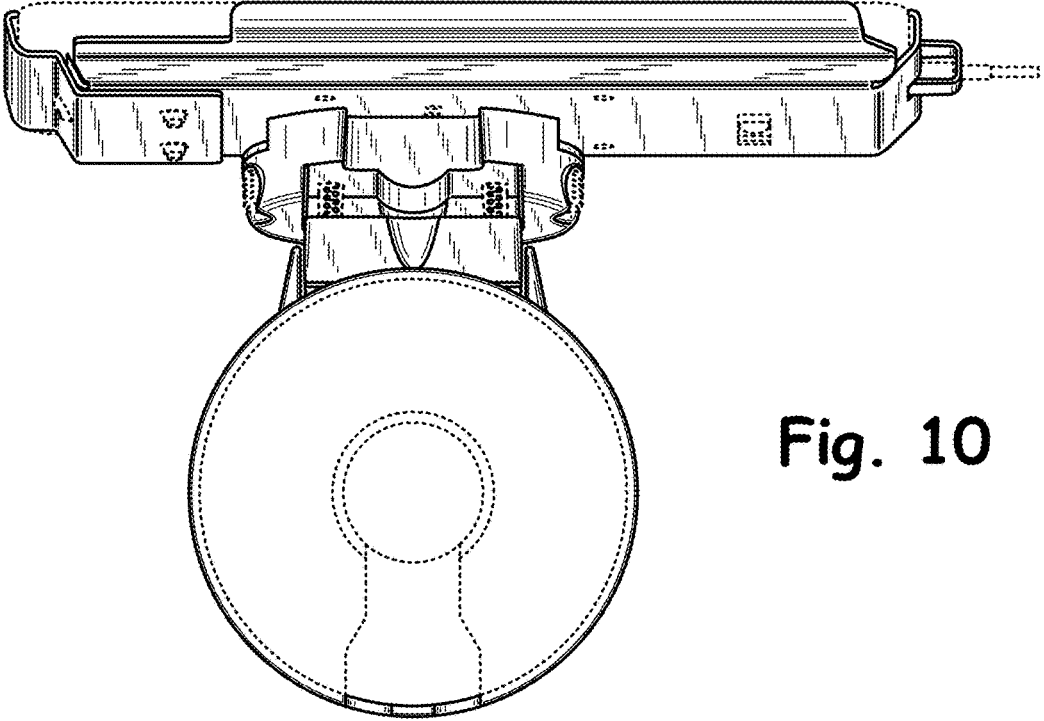


Fig. 10