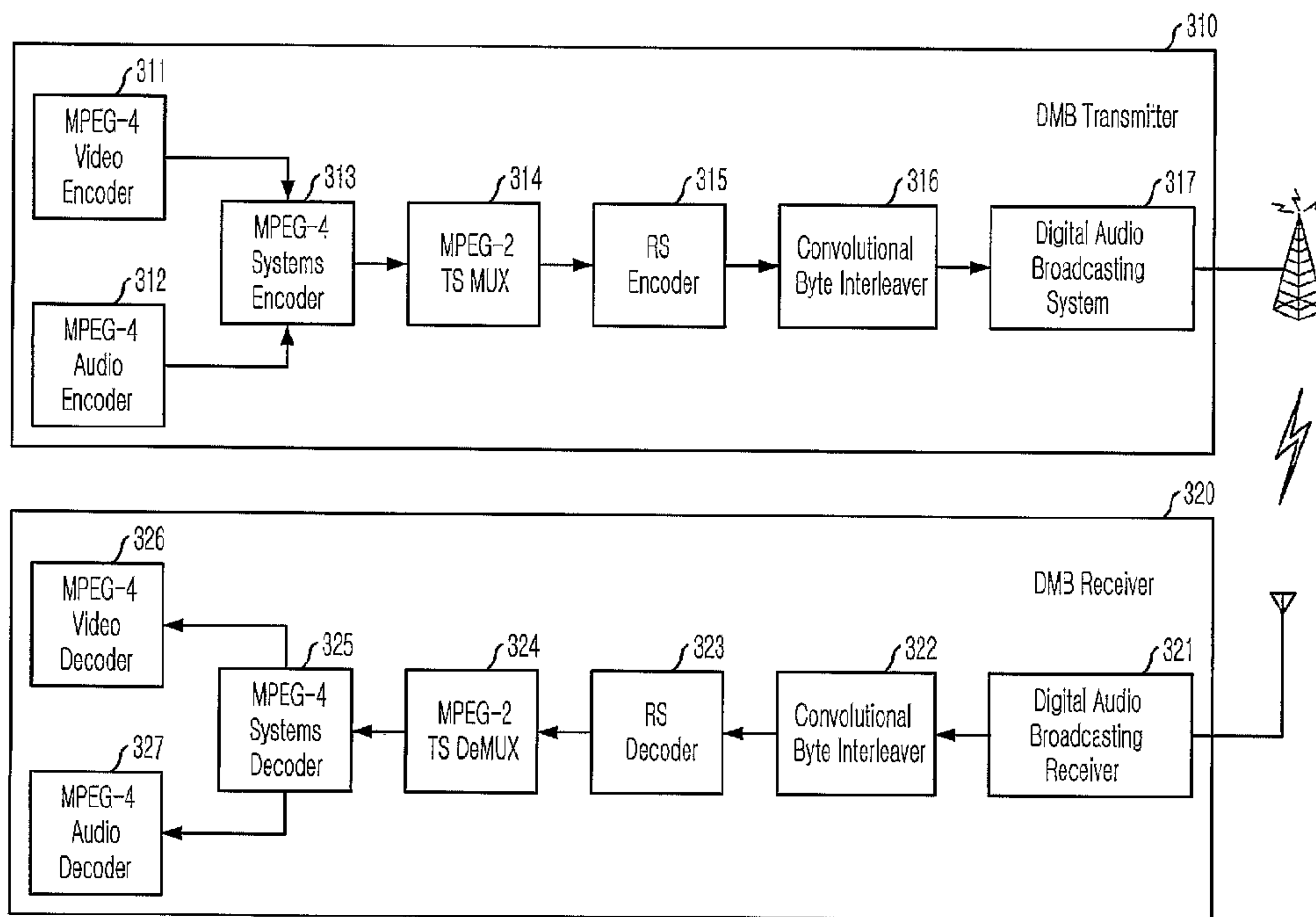




(86) Date de dépôt PCT/PCT Filing Date: 2003/12/30  
 (87) Date publication PCT/PCT Publication Date: 2005/03/03  
 (85) Entrée phase nationale/National Entry: 2006/02/01  
 (86) N° demande PCT/PCT Application No.: KR 2003/002916  
 (87) N° publication PCT/PCT Publication No.: 2005/020576  
 (30) Priorité/Priority: 2003/08/20 (10-2003-0057531) KR

(51) Cl.Int./Int.Cl. *H04N 7/173* (2006.01)  
 (71) Demandeur/Applicant:  
 ELECTRONICS AND TELECOMMUNICATIONS  
 RESEARCH INSTITUTE, KR  
 (72) Inventeurs/Inventors:  
 JEONG, YOUNG-HO, KR;  
 LEE, HYUN, KR;  
 LEE, BONG-HO, KR;  
 PARK, SO-RA, KR;  
 HAHM, YOUNG-KWON, KR;  
 LEE, SOO-IN, KR  
 (74) Agent: SMART & BIGGAR

(54) Titre : **SYSTEME ET PROCEDE DE RADIODIFFUSION MULTIMEDIA NUMERIQUE**  
 (54) Title: **SYSTEM AND METHOD FOR DIGITAL MULTIMEDIA BROADCASTING**



(57) **Abrégé/Abstract:**

Provided is a digital multimedia broadcasting (DMB) system that can provide a multimedia data broadcasting service having an excellent reception quality, a method thereof, and a computer-readable recording medium for recording a program that implements the method. The DMB system includes an encoding unit for encoding an inputted audio/video signal; a synchronizing unit for synchronizing media stream, additional data, interactive service objectifying data that are outputted from the encoding unit; a multiplexing unit for multiplexing the media stream outputted from the synchronizing unit; an error correction encoding unit for performing additional error correction encoding on the media stream outputted from the multiplexing unit; an interleaving unit for removing temporal correlation between adjacent byte units within a data stream outputted from the error correction encoding unit; and a transmitting unit for transmitting a DMB media stream outputted from the interleaving unit to the conventional DAB system and other digital broadcasting systems.



(12) INTERNATIONAL APPLICATION PUBLISHED UNDER THE PATENT COOPERATION TREATY (PCT)

(19) World Intellectual Property  
Organization  
International Bureau



(43) International Publication Date  
3 March 2005 (03.03.2005)

PCT

(10) International Publication Number  
**WO 2005/020576 A1**

(51) International Patent Classification<sup>7</sup>: **H04N 7/173**

(21) International Application Number:  
PCT/KR2003/002916

(22) International Filing Date:  
30 December 2003 (30.12.2003)

(25) Filing Language: Korean

(26) Publication Language: English

(30) Priority Data:  
10-2003-0057531 20 August 2003 (20.08.2003) KR

(71) Applicant (for all designated States except US): **ELECTRONICS AND TELECOMMUNICATIONS RESEARCH INSTITUTE** [KR/KR]; 161, Gajeong-dong, Yuseong-gu, 305-350 Daejeon (KR).

(72) Inventors; and

(75) Inventors/Applicants (for US only): **JEONG, Young-Ho** [KR/KR]; #110-808 Dure Apt., Sinseong-dong, Yuseong-gu, 305-720 Daejeon (KR). **LEE, Hyun** [KR/KR]; #2-303 Garam villa, 149-13,

Sinseong-dong, Yuseong-gu, 305-345 Daejeon (KR). **LEE, Bong-Ho** [KR/KR]; #204-707 Songgang Maeul Apt., Songgang-dong, Yuseong-gu, 305-753 Daejeon (KR). **PARK, So-Ra** [KR/KR]; #102-1102 Saemmemori Apt., Dunsan-dong, Seo-gu, 302-777 Daejeon (KR). **HAHM, Young-Kwon** [KR/KR]; #133-101 Hanbit Apt., Eoeun-dong, Yuseong-gu, 305-755 Daejeon (KR). **LEE, Soo-In** [KR/KR]; #401-701 Sunbi Maeul Apt., Songchon-dong, Daedeok-gu, 306-778 Daejeon (KR).

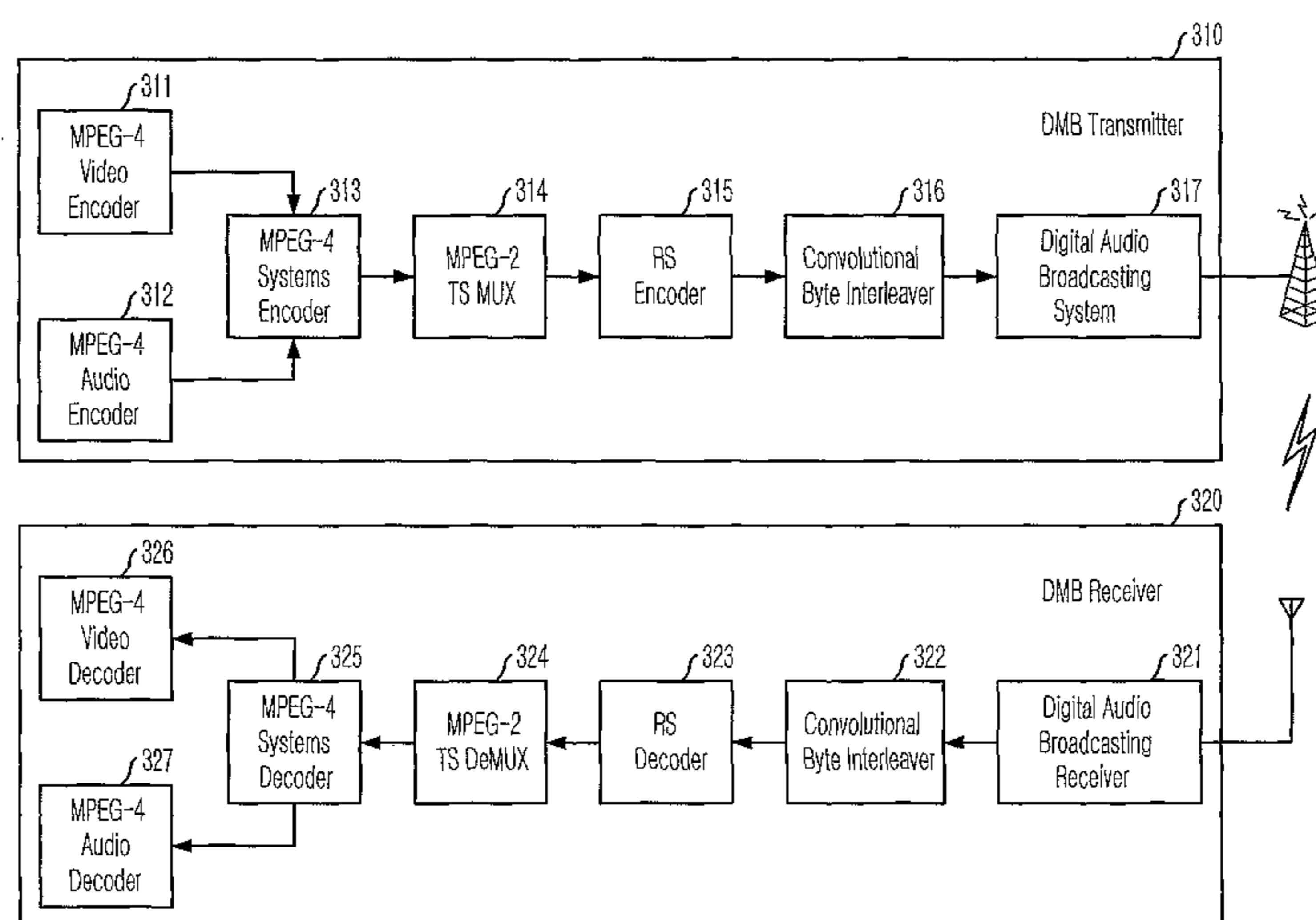
(74) Agent: **SHINSUNG PATENT FIRM**; Haecheon Bldg., 741-40, Yeoksam 1-dong, Kangnam-gu, 135-924 Seoul (KR).

(81) Designated States (*national*): AE, AG, AL, AM, AT, AU, AZ, BA, BB, BG, BR, BW, BY, BZ, CA, CH, CN, CO, CR, CU, CZ, DE, DK, DM, DZ, EC, EE, EG, ES, FI, GB, GD, GE, GH, GM, HR, HU, ID, IL, IN, IS, JP, KE, KG, KP, KZ, LC, LK, LR, LS, LT, LU, LV, MA, MD, MG, MK, MN, MW, MX, MZ, NI, NO, NZ, OM, PG, PH, PL, PT, RO, RU, SC, SD, SE, SG, SK, SL, SY, TJ, TM, TN, TR, TT, TZ, UA, UG, US, UZ, VC, VN, YU, ZA, ZM, ZW.

(84) Designated States (*regional*): ARIPO patent (BW, GH, GM, KE, LS, MW, MZ, SD, SL, SZ, TZ, UG, ZM, ZW),

[Continued on next page]

(54) Title: SYSTEM AND METHOD FOR DIGITAL MULTIMEDIA BROADCASTING



(57) Abstract: Provided is a digital multimedia broadcasting (DMB) system that can provide a multimedia data broadcasting service having an excellent reception quality, a method thereof, and a computer-readable recording medium for recording a program that implements the method. The DMB system includes an encoding unit for encoding an inputted audio/video signal; a synchronizing unit for synchronizing media stream, additional data, interactive service objectifying data that are outputted from the encoding unit; a multiplexing unit for multiplexing the media stream outputted from the synchronizing unit; an error correction encoding unit for performing additional error correction encoding on the media stream outputted from the multiplexing unit; an interleaving unit for removing temporal correlation between adjacent byte units within a data stream outputted from the error correction encoding unit; and a transmitting unit for transmitting a DMB media stream outputted from the interleaving unit to the conventional DAB system and other digital broadcasting systems.

WO 2005/020576 A1

**WO 2005/020576 A1**



Eurasian patent (AM, AZ, BY, KG, KZ, MD, RU, TJ, TM),  
European patent (AT, BE, BG, CH, CY, CZ, DE, DK, EE,  
ES, FI, FR, GB, GR, HU, IE, IT, LU, MC, NL, PT, RO, SE,  
SI, SK, TR), OAPI patent (BF, BJ, CF, CG, CI, CM, GA,  
GN, GQ, GW, ML, MR, NE, SN, TD, TG).

*For two-letter codes and other abbreviations, refer to the "Guidance Notes on Codes and Abbreviations" appearing at the beginning of each regular issue of the PCT Gazette.*

**Published:**

— *with international search report*



## SYSTEM AND METHOD FOR DIGITAL MULTIMEDIA BROADCASTING

Technical Field

5           The present invention relates to a digital multimedia  
broadcasting (DMB) system for transmitting mobile  
television (TV) contents, e.g., video and video-related  
multimedia data, based on a digital audio broadcasting  
(DAB) system and other diverse digital broadcasting systems,  
10 a method thereof, and a computer-readable recording medium  
for recording a program that implements the method.

Background Art

15           A conventional digital audio broadcasting (DAB) and  
other diverse digital broadcasting systems define only  
basic mechanism such as stream mode and packet mode based  
on the presence of a synchronization signal within a stream  
to transmit a data stream. They simply define only a  
20 transmission format of data stream but they do not include  
any specific method for effective and stable transmission  
of video and multimedia data. Also, most of them apply  
only a single error correction code to overcome system  
performance degradation caused by multi-path fading and the  
25 Doppler effect in a mobile radio channel environment. This  
is because they are designed in consideration of a  
performance target value of audio or a low quality data  
service only. For example, in case of DAB, a target Bit  
Error Rate (BER) is  $1 \times 10^{-4}$  (BER =  $1 \times 10^{-4}$ ). However, in order  
30 to satisfy a stable mobile reception quality of video and  
multimedia data, the target BER should be at least  $10^{-8}$  and  
it is very hard to obtain the BER value in the conventional  
DAB system and other digital broadcasting systems designed  
only for audio service.

Therefore, required necessarily is a new DMB transmission scheme for transmitting high quality multimedia data, which is compatible with the transmission standard of the DAB and other diverse digital broadcasting systems.

Meanwhile, the DAB will be described more in detail by taking an example of the Eureka 147 DAB system, which is a DAB system of the Europe.

Fig. 1 is an exemplary diagram showing a conventional Eureka 147 DAB system.

Since the latter half of 1980's, European countries have actively undertaken research on DAB transmission scheme that can provide a high-quality audio service in mobile reception by organizing the Eureka 147 joint project. Since 1992, a Coded-Orthogonal Frequency Division Multiplexing (COFDM), which is a multi-carrier modulation scheme strong at multi-path fading, and a Moving Picture Experts Group (MPEG)-1/-2 Layer II, which is a signal compression method for transmitting a high-quality audio program, have been embodied and tested for their performance. By the early 1995, a DAB transmission scheme of a European single standard was developed.

In the DAB system having a transmission scheme as shown in Fig. 1, audio data stream encoded by using the MPEG encoder or ordinary data stream passes through an energy dispersal scrambler to disperse the energy of the radio frequency (RF) transmission signal and then it is encoded by using convolutional encoder at a different encoding rate based on Unequal Error Protection (UEP) or Equal Error Protection (EEP) profile. Then, sub-channel data which are time-interleaved with respect to 16 logical frame sections are multiplexed in the Main Service Multiplexer (MSM) to thereby form Common Interleaved Frame (CIF). Herein, since each logical frame includes



information of a 24 ms section in a time domain, the total depth of interleaving is 384 ms. In order to form a 24ms-based DAB transmission frame, a synchronous channel, a Fast Information Channel (FIC), and a Main Service Channel (MSC) for effective data transmission are created and Quadrature Phase Shift Keying (QPSK) symbol mapping is performed. Then, frequency interleaving is applied in order to minimize the influence on the frequency selective fading.

Subsequently, a phase reference signal is generated and placed in the second symbol of the transmission frame and differential modulation is performed on the Orthogonal Frequency Division Multiplexing (OFDM) symbol that forms the FIC and MSC based on the phase reference signal. Each OFDM symbol that forms a transmission frame goes through zero-padding for  $2N$  Inverse Fast Fourier Transform (IFFT) and then it is converted into a time domain signal through the IFFT.

In the meantime, data corresponding to a fourth of the rear of an effective symbol section are inserted to the front of the effective symbol and transmitted in order to remove Inter-Symbol Interference (ISI). This is called guard interval.

At present, most of the European countries, Canada, Singapore, and China are in service or in preparation of regular DAB broadcasting and Korea, too, selected the Eureka 147 DAB transmission scheme as transmission standard for digital audio broadcasting in the late 2002.

However, in case of the DAB, since a DAB transmission scheme for providing an effective and stable high-quality multimedia data service in a mobile channel is not developed both in Korea and other countries, it is required to develop a new DMB transmission scheme.

Disclosure of Invention

It is, therefore, an object of the present invention to provide a digital multimedia broadcasting (DMB) system that can provide multimedia data broadcasting service with a high reception quality in a mobile environment by applying highly efficient compression and objectification of multimedia data, synchronization and multiplexing between media streams, additional error correction method and interleaving in order to secure stable reception quality of multimedia data in a mobile channel environment and embody efficient and interactive multimedia data broadcasting by using a conventional digital audio broadcasting (DAB) system and other diverse digital broadcasting systems; a method thereof; and a computer-readable recording medium for recording a program that implements the method.

It is another object of the present invention to provide a DMB system that can embody DMB without changing the conventional DAB and other digital broadcasting systems by operating in a perfect compatibility with the conventional digital broadcasting system, because it is designed in consideration of the conventional DAB system and other diverse digital broadcasting systems; a method thereof; and a computer-readable recording medium for recording a program that implements the method.

In accordance with one aspect of the present invention, there is provided a DMB system, which includes: an encoding unit for encoding an inputted audio/video signal; a synchronizing unit for synchronizing media stream, additional data, interactive service objectifying data that are outputted from the encoding unit; a multiplexing unit for multiplexing the media stream outputted from the synchronizing unit; an error correction encoding unit for



performing additional error correction encoding on the media stream outputted from the multiplexing unit; an interleaving unit for removing temporal correlation between adjacent byte units within a data stream outputted from the error correction encoding unit; and a transmitting unit for transmitting a DMB media stream outputted from the interleaving unit.

In accordance with one aspect of the present invention, there is provided a digital DMB method, which includes the steps of: a) encoding video/audio data at a high efficiency for data compression; b) synchronizing a media stream encoded in the step a), a media stream for an additional data service, and a objectified media stream for an interactive service; c) multiplexing a media stream synchronized in the step b); d) encoding and interleaving for correcting an error to be occurred in a media stream multiplexed in the step c); and e) transmitting a stream interleaved in the step d).

In accordance with one aspect of the present invention, there is provided a computer-readable recording medium for recording a program that implement a digital DMB method, which includes the steps of: a) encoding video/audio data at a high efficiency for data compression; b) synchronizing a media stream encoded in the step a), a media stream for an additional data service, and an objectified media stream for an interactive service; c) multiplexing a media stream synchronized in the step b); d) encoding and interleaving for correcting an error to be occurred in a media stream multiplexed in the step c); and e) transmitting a stream interleaved in the step d).

Meanwhile, the DMB system of the present invention includes a broadcasting field where multimedia data are transmitted by using conventional DAB and digital broadcasting systems, a field of source encoding technology



where multimedia data are compressed, a field of multiplexing technology where multimedia data streams are mixed, and a field of error correction encoding technology where robustness to error generated in a mobile channel is given.

#### Brief Description of Drawings

The above and other objects and features of the present invention will become apparent from the following description of the preferred embodiments given in conjunction with the accompanying drawings, in which:

Fig. 1 is an exemplary diagram showing a conventional Eureka 147 digital audio broadcasting (DAB) system;

Figs. 2A and 2B are diagrams describing a transmission method of a digital multimedia broadcasting (DMB) system in accordance with an embodiment of the present invention;

Figs. 3A and 3B are block diagrams illustrating a DMB system in accordance with an embodiment of the present invention;

Fig. 4 is a block diagram showing a media processor of the DMB system in accordance with an embodiment of the present invention;

Figs. 5A and 5B are diagrams describing a Reed-Solomon (RS) encoder of the DMB system in accordance with an embodiment of the present invention;

Fig. 6 is a schematic diagram describing an interleaver of the DMB system in accordance with an embodiment of the present invention;

Fig. 7 is a block diagram describing an apparatus for cooperating the DMB system and the conventional DAB system in accordance with an embodiment of the present invention;

Fig. 8 is a block diagram describing an apparatus for

cooperating the DMB system and the conventional DAB system in accordance with another embodiment of the present invention;

Fig. 9 is a flowchart describing an Ensemble Transport Interface (ETI) frame forming method in accordance with an embodiment of the present invention; and

Fig. 10 is a block diagram illustrating an apparatus for cooperating the DMB system and the conventional DAB system in accordance with yet another embodiment of the present invention.

#### Best Mode for Carrying Out the Invention

Other objects and aspects of the invention will become apparent from the following description of the embodiments with reference to the accompanying drawings, which is set forth hereinafter.

Figs. 2A and 2B are diagrams describing a transmission method of a digital multimedia broadcasting (DMB) system in accordance with an embodiment of the present invention.

As shown in Fig. 2A, the DMB system of the present invention includes a process of high-efficiency video encoding at step 201 for compressing video data, a process of high-efficiency audio encoding for compressing audio data at step 202, a process of insertion of additional data at step 203, a process of objectification for interactive service at step 204, a process of synchronization at step 210 for synchronizing media streams outputted from the processes of video encoding at the step 201, audio encoding at the step 202, additional data insertion at the step 203, and objectification for interactive service at the step 204, a process of multiplexing for mixing the synchronized media streams at step 220, and a process of encoding and interleaving for correcting an error to be occurred in the



media stream multiplexed in the process of multiplexing and interleaving at step 230.

The DMB system transmits DMB data as follows.

5 First, at the steps 201 and 202, high-efficiency source encoding for compressing multimedia data is performed and, at the step 204, objectification for interactive service is performed. Then, at the step 210, video/audio/additional data streams are synchronized and, at step 220, the media streams are multiplexed.

10 Subsequently, at step 230, error correction encoding and interleaving are performed on the multiplexed stream in order to secure excellent reception quality in a high-speed mobile channel environment. The stream obtained by using the error correction encoding and the interleaving is transmitted to the DAB system and other digital  
15 broadcasting systems. Herein, the digital broadcasting systems include a digital television (TV) broadcasting system, a digital satellite broadcasting system, and a digital cable broadcasting system.

20 Meanwhile, if the DAB system and the digital broadcasting system show excellent system performance in a high-speed mobile channel environment, a DMB transmission scheme as shown in Fig. 2B which does not include the error correction encoding and interleaving of the step 230 can be  
25 applied.

Figs. 3A and 3B are block diagrams illustrating a DMB system in accordance with an embodiment of the present invention. The drawings show system technologies applied to the DMB of Figs. 2A and 2B.

30 As shown in Fig. 3A, the DMB system of the present invention can be divided into a DMB transmitter 310 and a DMB receiver 320.

First, the DMB transmitter 310 uses an MPEG-4 audio encoder 311 and an MPEG-4 video encoder 312 for high-

efficiency source encoding, and it uses an MPEG-4 systems encoder 313 for objectification and synchronization of media stream. It uses an MPEG-2 transport stream (TS) multiplexer 314 for multiplexing media stream, and it uses  
5 a Reed-Solomon (RS) encoder 315 for additional error correction encoding. The DMB transmitter 310 uses a convolutional byte interleaver 316 to remove temporal correlation between neighboring byte units in data stream. The finally outputted DMB media stream is inputted through  
10 a stream mode of a DAB transmission system 317 or data channels of the other digital broadcasting systems.

The DMB receiver 320 receives multimedia data, which are passed through a receiving channel of the DAB receiving system 321 or those of the other digital broadcasting  
15 systems, pass through the convolutional byte deinterleaver 322, the RS decoder 323, the MPEG-2 TS demultiplexer 324, the MPEG-4 systems decoder 325, the MPEG-4 video decoder 326, and the MPEG-4 audio decoder 327.

If the conventional digital broadcasting systems 317  
20 and 321 show excellent system performance in the high-speed mobile channel environment, a DMB transmission scheme can be embodied without the multiplexing process and the error correction encoding and interleaving process, which is shown in Fig. 3B.

Fig. 4 is a block diagram showing a media processor of  
25 the DMB system in accordance with an embodiment of the present invention. It shows a structure of a DMB media processor that performs functions from compression to multiplexing of multimedia data. Herein, the media  
30 processor includes an MPEG-4 video/audio encoder, an MPEG-4 systems encoder, and an MPEG-2 TS multiplexer.

As shown in Fig. 4, the media processor of the DMB system of the present invention includes a preprocessor 410, an MPEG-4 encoder 421 and 422, an object descriptor



(OD)/binary format for scene (BIFS) generator 431, an Initial Object Descriptor (IOD) generator 432, a sync layer (SL) packetizer 433, a Program Elementary Stream (PES) packetizer 441, a 14496 section packetizer 442, a PSI generator 443, a TS packetizer 444.

The preprocessor 410 converts an audio/video signal into a data stream of a desired format. The MPEG-4 encoder 421 and 422 compresses the data stream outputted from the preprocessor 410 into a high compressed media stream. The OD/BIFS generator 431 generates object descriptor (OD) and binary format for scene (BIFS). The IOD generator 432 generates the initial object descriptor (IOD). The sync layer packetizer 433 synchronizes media streams outputted from the MPEG-4 encoder 421 and 422 and the OD/BIFS generator 431. The PES packetizer 441 packetizes a packet outputted from the sync layer packetizer 433 into a PES packet. The 14496 section packetizer 442 packetizes a packet outputted from the sync layer packetizer 433 into a 14496 section. The PSI generator 443 generates Program Service Information (PSI) based on the data outputted from the IOD generator 432. The TS packetizer 444 packetizes a packet outputted from the PES packetizer 441, 14496 section packetizer 442, PSI generator 443 into transport stream.

That is, the media processor of the DMB system of the present invention includes an MPEG-4 systems encoder 430 and an M4overM2 module 440. The MPEG-4 systems encoder 430 includes the MPEG-4 audio/video encoder 421 and 422 for performing media compression efficiently after converting the audio/video multimedia source data into a data stream of a desired format in the preprocessor 410, the OD/BIFS generator 431 for interactive service, the IOD generator 432, the sync layer packetizer 433 for synchronizing the media streams, and the M4overM2 module 440 for generating a program elementary stream (PES) packet based on a sync

layer packet and multiplexing the PES packet with a section packet and Program Service Information (PSI) into an MPEG-2 transport stream. Herein, the TS packetizer 444 can multiplex one or more audio/video/additional data based on  
5 a program.

As for the video encoder, an 'MPEG-4 Part 2' codec and an 'MPEG-4 Part 10 Advanced Video Coding (AVC)' codec can be used. For the audio encoder, diverse codecs such as an 'Advanced Audio Coding (AAC)' codec, an 'AAC+' codec, and a  
10 'Bit Sliced Arithmetic Coding (BSAC)' codec can be used. The codec is selected in consideration of compression performance and trade-off in the complexity of embodiment.

Since the video codec supports 30 frame per second (fps) maximally and supports diverse display formats such as Quarter Common Intermediate Format (QCIF), Quicktime  
15 Video Graphics Array (QVGA), and Common Intermediate Format (CIF), it can be applied to diverse application fields. Also, since the audio codec can compress a stereo channel at a rate of less than 128 kbps, the compression efficiency  
20 is superior to the codecs used in the conventional broadcasting systems including DAB. Therefore, spectrum use efficiency can be maximized.

Fig. 5A shows an RS encoder of the DMB system in accordance with an embodiment of the present invention.  
25 They present a structure of the RS (204, 188, t=8) encoder for generating an RS code word which is used to satisfy the target Bit Error Rate (BER) of multimedia data and Fig. 5B shows a structure of a packet.

In case of a DAB system, a convolutional code is used  
30 as an error correcting code. If an RS code is added to the DAB system for DMB, the channel encoder of total DMB system has a structure of concatenated code. Thus, the RS code can be referred to as an outer coder.

The RS (204, 188, t=8) code is embodied by using an RS



(255, 239, t=8) code, and the code generator polynomial is:

$$g(x) = (x + \lambda^0)(x + \lambda^1)(x + \lambda^2) \Lambda (x + \lambda^{15}) \quad \text{Eq. 1}$$

5 wherein  $\lambda = 02_{\text{HEX}}$ .

The following is a field generator polynomial:

$$p(x) = x^8 + x^4 + x^3 + x^2 + 1. \quad \text{Eq. 2}$$

10

Meanwhile, the RS (204, 188, t=8) code is embodied as follows.

15 First, 51-byte '0' is added to 188-byte information data. Then, 239-byte information data are inputted to an RS (255, 239, t=8) encoder.

Subsequently, the added 51-byte '0' is removed from the encoded 255-byte output data to thereby form an RS-encoded packet as described in Fig. 5B.

20 Fig. 6 is a schematic diagram describing an interleaver of the DMB system in accordance with an embodiment of the present invention.

25 In order to remove temporal correlation between adjacent byte units, the interleaver interleaves a 204 byte-based MPEG-2 TS packet, from which a synchronization word begins, by using a convolutional byte interleaver having a structure of Fig. 6.

30 The interleaver is formed of 12 branches and each branch is formed of a plurality of memories which are based on a unit of 17 byte  $\times$  N (N=0, 1, 2, ..., 11). Input/output switches are synchronized with each other.

For synchronization, synchronization words are transmitted always through a '0' branch and the synchronization of a deinterleaver is obtained by allocating a first recognized synchronization word to a '0'

branch of the deinterleaver.

An interleaved data stream is allocated to a stream mode of the DAB system and data channels for other digital broadcasting systems and then processed.

5 Hereafter, a method and apparatus for cooperating the DMB system of the present invention and the conventional DAB system will be described with reference to Figs. 7 to 10.

10 Fig. 7 is a block diagram describing an apparatus for cooperating the DMB system and the conventional DAB system in accordance with an embodiment of the present invention.

In the drawing, the reference numeral '710' denotes the conventional DAB system; the reference numeral '720' denotes the DMB system of the present invention; and the  
15 reference numeral '730' denotes an ensemble remultiplexer, individually.

The ensemble remultiplexer 730 creates a new Ensemble Transport Interface (ETI) frame by remultiplexing the ETI frame inputted from the DAB system 710 with a DMB media  
20 stream and transmits the newly formed ETI frame to a Coded Orthogonal Frequency Division Multiplexing (COFDM) modulator of the DAB system 710. Herein, the ensemble remultiplexer 730 performs only the aforementioned remultiplexing function, or includes the functions of the  
25 RS encoder and the interleaver additionally, or includes all the functions of the RS encoder, the interleaver, and the DMB media processor. The system with the above-described structure makes it possible to use the conventional DAB transmission system 710, regardless of the  
30 structure, which is different according to manufacturing companies.

Fig. 8 is a block diagram describing an apparatus for connecting the DMB system and the conventional DAB system in accordance with another embodiment of the present



invention.

In the drawing, the reference numeral '810' denotes the conventional DAB system; the reference numeral '820' denotes the DMB system of the present invention; and the  
5 reference numeral '830' denotes an ETI adapter, individually.

The ETI adaptor 830 receives media stream from one or more DMB system 820, converts it into an ETI frame, and outputs the ETI frame to any one among the ensemble  
10 multiplexer, the service multiplexer, and data inserter of the DAB system 810.

If the device in connection is the ensemble multiplexer, it receives the ETI output of the ETI adapter 830 and the Service Transport Interface (STI) output of the  
15 service multiplexer, forms a new ETI frame and transmits it to the COFDM modulator.

The ensemble multiplexer analyzes the content of the inputted STI and ETI frames and forms a new ETI frame automatically based on a priority order defined by an  
20 administrator. This will be described more in detail with reference to Fig. 9.

Fig. 9 is a flowchart describing an ETI frame formatting method in accordance with an embodiment of the present invention. In the flowchart, the ensemble  
25 multiplexer/service multiplexer/data inserter maintains maximum data transmission capacity and forms a new ETI frame and a new STI frame automatically.

First, the administrator of the ensemble multiplexer establishes a transmission priority order for a sub-channel  
30 to automatically form the new STI and ETI frame. Then, a sub-channel based on the STI and ETI frames is selected according to the above established sub-channel priority order and it is determined whether the transmission of the selected sub-channel is possible.

If it is determined that transmission is impossible, a sub-channel having a data size that can be included in the remaining space of the STI or ETI frame is searched and the process of including it into the frame is repeated in order  
5 to minimize the remaining space of the STI or ETI frame to be outputted.

This can be described more in detail below.

First, at step S901, transmission priority order for a sub-channel is established to automatically form a new STI  
10 frame or a new ETI frame. Then, at step S902, it is established that "ETI\_out = output ETI data rate = 0," "ETI\_max = maximum ETI transmittable data rate," or "STI\_out = output STI data rate = 0," "STI\_max = maximum STI transmittable data rate."

15 Subsequently, at step S903, a sub-channel is selected based on the inputted IP datagram, the STI and ETI frames and the priority order. Then, at step S904, it is established that "sub\_channel = data rate of a corresponding sub-channel."

20 Subsequently, at step S905, it is determined whether "(ETI\_max - ETI\_out) > sub\_channel" or "(STI\_max - STI\_out) > sub\_channel" is satisfied.

If the above condition is satisfied, at step S906, it is established that "ETI\_out = ETI\_out + sub\_channel" or  
25 "STI\_out = STI\_out + sub\_channel" and then logic flow goes to the step S903 where a sub-channel is selected according to priority order.

If the above condition is not satisfied, a step S907, it is determined whether there is a sub-channel having a  
30 data rate lower than "(ETI\_max - ETI\_out)" or "(STI\_max - STI\_out)" based on the inputted STI and ETI frames and the priority order. If there is the sub-channel, the logic flow goes to the step S903 where a sub-channel is selected according to the priority order. If there is no such sub-



channel, at step S908, a process of forming and outputting ETI or STI frames is performed.

Fig. 10 is a block diagram illustrating an apparatus for cooperating the DMB system and the conventional DAB system in accordance with another embodiment of the present invention. It presents a method of cooperating the DMB system with the conventional DAB system by using an Ethernet adapter.

In the drawing, the reference numeral '1010' denotes the conventional DAB system; the reference numeral '1020' denotes the DMB system of the present invention; and the reference numeral '1030' denotes an Ethernet adapter, individually.

According to the proposed method, a DMB media stream is transformed into an Internet Protocol (IP) datagram and transmitted in the form of a stream mode of the DAB system 1010. The Ethernet adapter 1030 outputs the IP datagram to one of the ensemble multiplexer, service multiplexer and data inserter. The one of the ensemble multiplexer, service multiplexer and data inserter that receives the IP diagram forms new ETI and STI frames based on the method of Fig. 9.

As described above, the present invention transmits and receives multimedia data efficiently and stably based on the DAB system and other diverse digital broadcasting systems. The present invention provides diverse interactive broadcasting service having an excellent reception performance without breaks by compressing video and multimedia data efficiently, supporting an interactive service through interaction and synchronization between objects by processing the video and multimedia data on an object basis, multiplexing video/audio/additional data stably, endowing robustness against multipath fading and the Doppler effect that occur in a mobile channel

environment by using an additional error correcting method.

The method of the present invention can be embodied as a program and stored in a computer-readable recording medium such as CD-ROM, RAM, ROM, floppy disks, hard disks,  
5 and magneto-optical disks.

As described above, the present invention can provide an interactive multimedia data service by using the conventional DAB system and other diverse digital broadcasting systems and it can transmit multimedia data of  
10 diverse formats such as mobile TV, Differential Global Positioning System (DGPS), Location Based Service (LBS), Pay Per View (PPV), traffic information, stock information, weather forecast and the like.

Also, the present invention can maximizes the spectrum use efficiency by using highly efficient multimedia data compression technology and it can embody a multimedia data service efficiently by adding a DMB processing module to the conventional DAB and other diverse digital broadcasting systems.  
15

The present application contains subject matter related to Korean patent application No. 2003-57531, filed in the Korean Intellectual Property Office on August 20, 2003, the entire contents of which is incorporated herein by reference.  
20

While the present invention has been described with respect to certain preferred embodiments, it will be apparent to those skilled in the art that various changes and modifications may be made without departing from the scope of the invention as defined in the following claims.  
25



What is claimed is:

1. A digital multimedia broadcasting (DMB) system, comprising:
- 5 an encoding means for encoding an audio/video signal;  
a synchronizing means for synchronizing media stream, additional data, interactive service objectifying data that are outputted from the encoding means;
- 10 a multiplexing means for multiplexing the media stream outputted from the synchronizing means;
- an error correction encoding means for performing additional error correction encoding on the media stream outputted from the multiplexing means;
- 15 an interleaving means for removing temporal correlation between adjacent byte units within a data stream outputted from the error correction encoding means; and
- a transmitting means for transmitting a DMB media stream outputted from the interleaving means.
- 20
2. The system as recited in claim 1, wherein the audio/video signal is obtained by converting multimedia source data into data stream of a predetermined format through a preprocessing.
- 25
3. The system as recited in claim 1, wherein the encoding means includes a 'Moving Picture Experts Group (MPEG)-4 Part 2' codec or a 'MPEG-4 Part 10 Advanced Video Coding (AVC)' codec as a video encoder; and an 'Advanced Audio Coding (AAC)' codec, an 'AAC+' codec, or a 'Bit Sliced Arithmetic Coding (BSAC)' codec as an audio encoder.
- 30
4. The system as recited in claim 1, wherein the synchronizing means includes:

an Object Descriptor (OD)/Binary Format for Scene (BIFS) generating means for generating OD/BIFS for interactive service;

an Initial Object Descriptor (IOD) generating means  
5 for generating an IOD; and

a sync layer packetizing means for synchronizing media streams outputted from the encoding means and the OD/BIFS generating means.

10 5. The system as recited in claim 4, wherein the multiplexing means includes:

a PES packetizing means for generating a Program Elementary Stream (PES) packet based on a packet outputted from the sync layer packetizing means;

15 a section packetizing means for generating a predetermined section based on a packet outputted from the sync layer packetizing means;

a Program Service Information (PSI) generating means for generating PSI based on data outputted from the IOD  
20 generating means; and

a transport stream (TS) packetizing means for packetizing data outputted from the PES packetizing means, the section packetizing means and the PSI generating means into transport stream.

25

6. The system as recited in claim 1, wherein the error correction encoding means is utilized to satisfy the target Bit Error Rate (BER) performance of multimedia data, and the error correction encoding means uses an RS encoder  
30 and has a structure of an RS encoder (204, 188, t=8) substantially.

7. The system as recited in claim 1, wherein the interleaving means is formed of 12 branches, and each



branch, which is formed of memories based on a 17-byte  $\times$  N unit ( $N = 0, 1, 2, \dots, 11$ ), has input and output switches synchronized with each other, and a synchronization word for synchronization is transmitted always through a '0' branch and the synchronization of a deinterleaver is obtained by allocating the first recognized synchronization word to the '0' branch.

8. The system as recited in claim 1, wherein the transmitting means utilizes a digital audio broadcasting system (DAB), a digital television (TV) broadcasting system, a digital satellite broadcasting system, and a digital cable broadcasting system.

9. The system as recited in claim 1, wherein the transmitting means is cooperated with any one among the DMB system, an ensemble remultiplexer, an Ensemble Transport Interface (ETI) adapter, and an Ethernet adapter.

10. The system as recited in claim 1, wherein the DMB system, which is based on the digital audio broadcasting (DAB) system, a digital television (TV) broadcasting system, a digital satellite broadcasting system, and a digital cable broadcasting system, does not include the error correction encoding means and/or the interleaving means according to system performance in a high-speed mobile channel environment.

11. A digital multimedia broadcasting (DMB) method, comprising the steps of:

a) encoding video/audio data at a high efficiency for data compression;

b) synchronizing a media stream encoded in the step a), a media stream for an additional data service, and a

media stream by an objectification for an interactive service;

c) multiplexing a media stream synchronized in the step b);

5 d) encoding and interleaving for correcting an error to be occurred in a media stream multiplexed in the step c); and

e) transmitting a stream interleaved in the step d).

10 12. The DMB method as recited in claim 11, wherein, in the step a), preprocessed video signals are encoded by using a 'Moving Picture Experts Group (MPEG)-4 Part 2' encoder or a 'MPEG-4 Part 10 Advanced Video Coding (AVC)' encoder; and preprocessed audio signals are encoded by  
15 using any one among an 'Advanced Audio Coding (AAC)' encoder, an 'AAC+' encoder, and a 'Bit Sliced Arithmetic Coding (BSAC)' encoder.

13. The DMB method as recited in claim 11, wherein  
20 the step b) includes:

b1) generating an Object Descriptor (OD)/Binary Format for Scene (BIFS) for interactive service;

b2) generating an Initial Object Descriptor (IOD);  
and

25 b3) packetizing the media stream for synchronizing encoded media streams outputted from the steps a) to e) and b1) and the OD/BIFS media stream.

14. The DMB method as recited in claim 11, wherein  
30 the step c) includes the steps of:

c1) generating a Program Elementary Stream (PES) packet based on a packet outputted from the step b3);

c2) generating a predetermined section based on a packet outputted from the step b3);



c3) generating Program Service Information (PSI) based on data outputted from the step b2); and

c4) packetizing data outputted from the steps c1) to c3) into transport stream.

5

15. The DMB method as recited in claim 11, wherein, the error correction coding of the step d) is performed to satisfy the target Bit Error Rate (BER) performance of multimedia data, and a Reed-Solomon (RS) encoder is used for encoding the error correction code and a structure of an RS (204, 188, t=8) encoder is adopted substantially.

10

16. The DMB method as recited in claim 14, wherein, the interleaving of the step d) is formed of 12 branches, and each branch, which is formed of memories based on a 17-byte  $\times$  N unit ( $N = 0, 1, 2, \dots, 11$ ), has input and output switches synchronized with each other, and a synchronization word for synchronization is transmitted always through a '0' branch and the synchronization of a deinterleaver is obtained by allocating the first recognized synchronization word to the '0' branch.

15

20

17. The DMB method as recited in claim 11, wherein, the step e) includes the steps of:

25

e1) establishing a transmission priority order with respect to a sub-channel for automatic formation of an Service Transport Interface (STI)/Ensemble Transport Interface (ETI) frame in the digital broadcastings system; and

30

e2) selecting a sub-channel based on the above-established sub-channel priority order and the STI/ETI input frame, determining whether transmission is possible, if transmission is impossible, searching a sub-channel that can be included in the remaining space of the STI/ETI frame,

including the selected sub-channel, and minimizing the remaining space in the STI/ETI frame to be outputted by repeating the process.

5           18.     The DMB method as recited in claim 17, wherein, the transmission process of the step e) is performed in digital broadcasting system, such as, a digital audio broadcasting system, a digital TV broadcasting system, a digital satellite broadcasting system, and a digital cable  
10 broadcasting system.

          19.     The DMB method as recited in claim 18, wherein the DMB system based on the conventional digital broadcasting system is cooperated with any one among, an  
15 ensemble remultiplexer, an Ensemble Transport Interface (ETI) adapter, and an Ethernet adapter.

          20.     The DMB method as recited in claim 19, wherein the DMB system does not include the error correction  
20 encoding means and/or the interleaving means in a high-speed mobile channel environment such as the digital audio broadcasting system, a digital television (TV) broadcasting system, a digital satellite broadcasting system, and a digital cable broadcasting system.

25           21.     A computer-readable recording medium for recording a program that implement a digital multimedia broadcasting (DMB) method, which comprises the steps of:

30           a) encoding video/audio data at a high efficiency for data compression;

          b) synchronizing a media stream encoded in the step a), a media stream for an additional data service, and a media stream by an interactive service objectification for an interactive service;

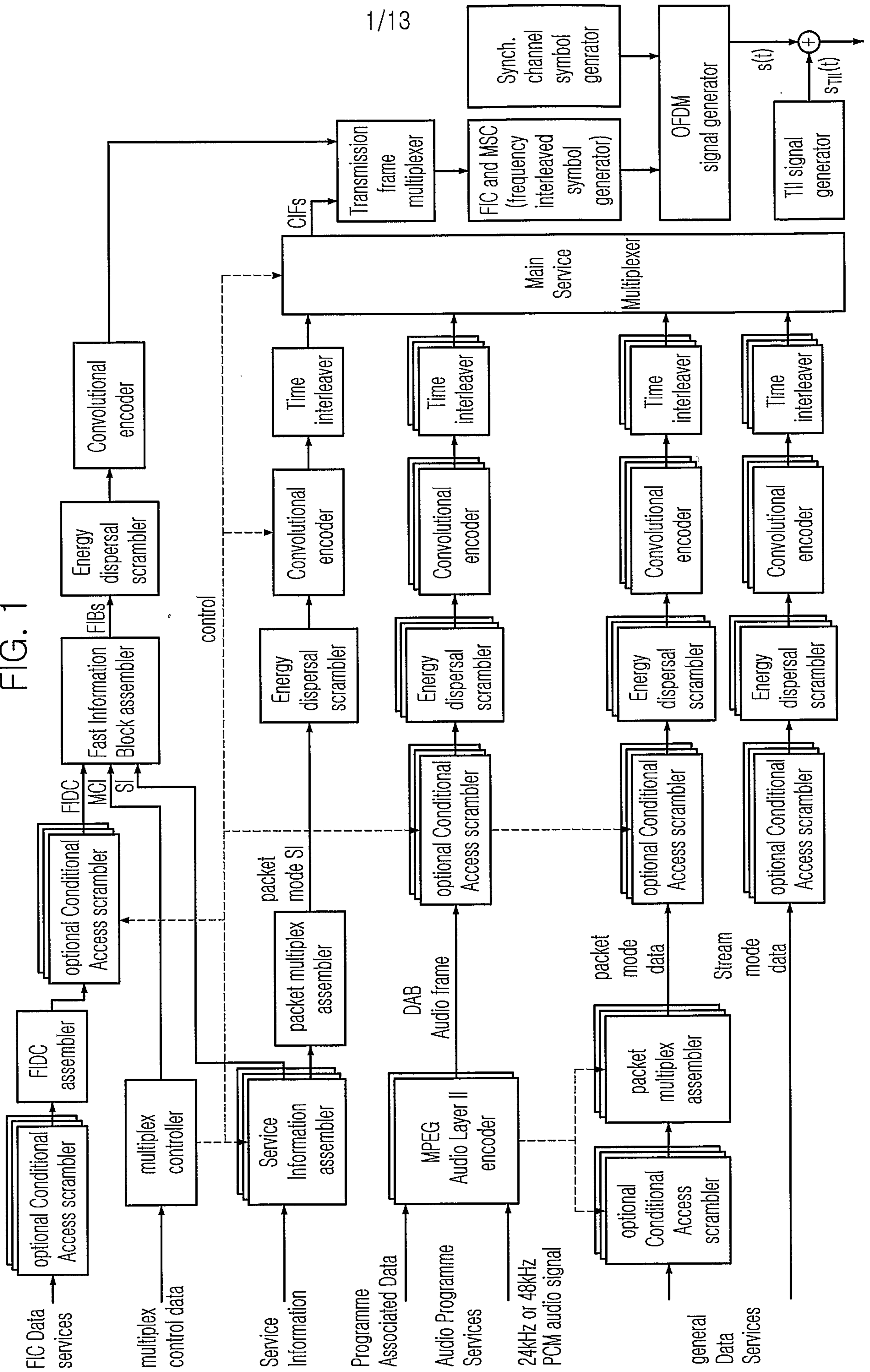


c) multiplexing a media stream synchronized in the step b);

d) encoding and interleaving for correcting an error to be occurred in a media stream multiplexed in the step  
5 c); and

e) transmitting a stream interleaved in the step d).

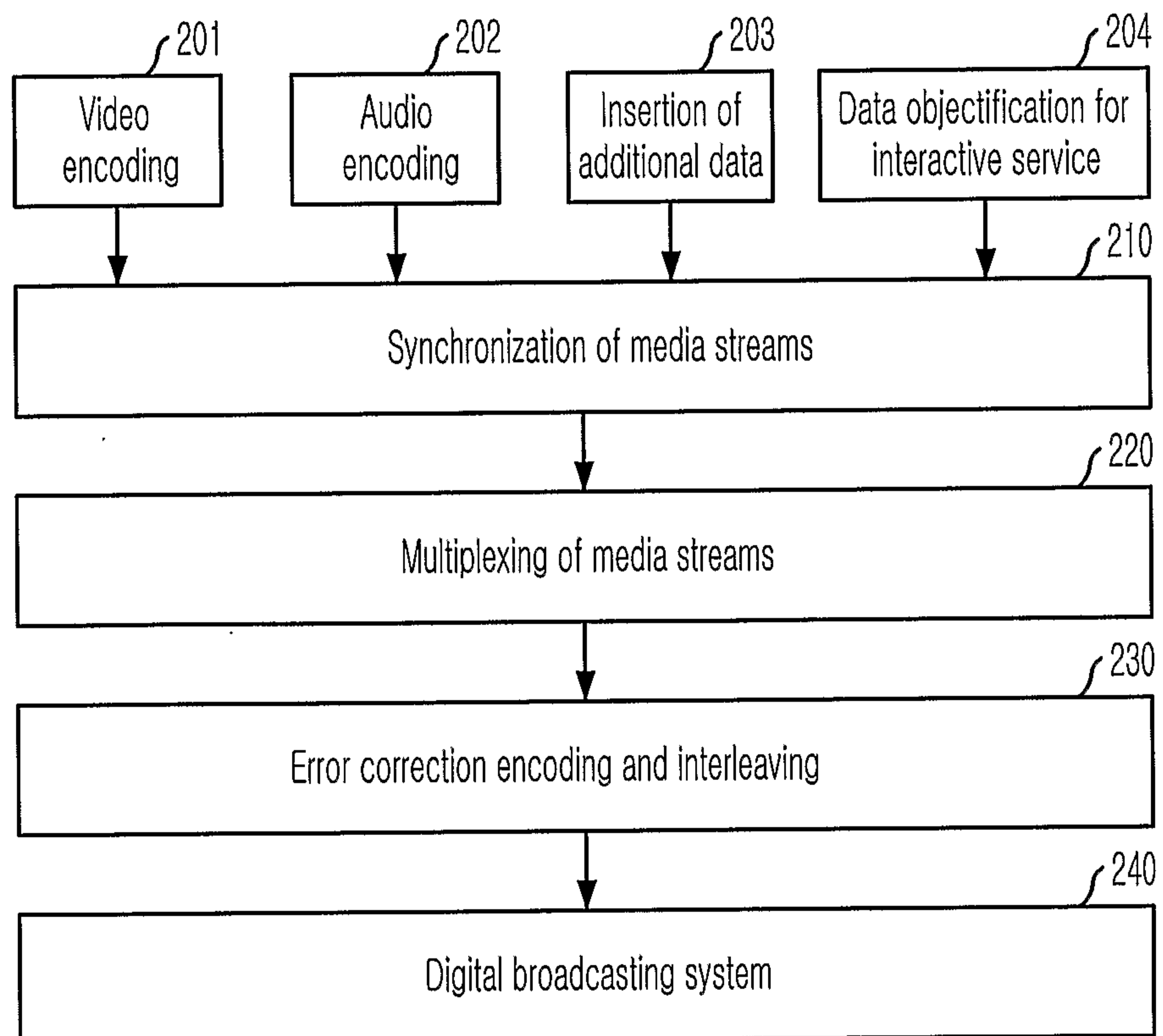
FIG. 1





2/13

FIG. 2A



3/13

FIG. 2B

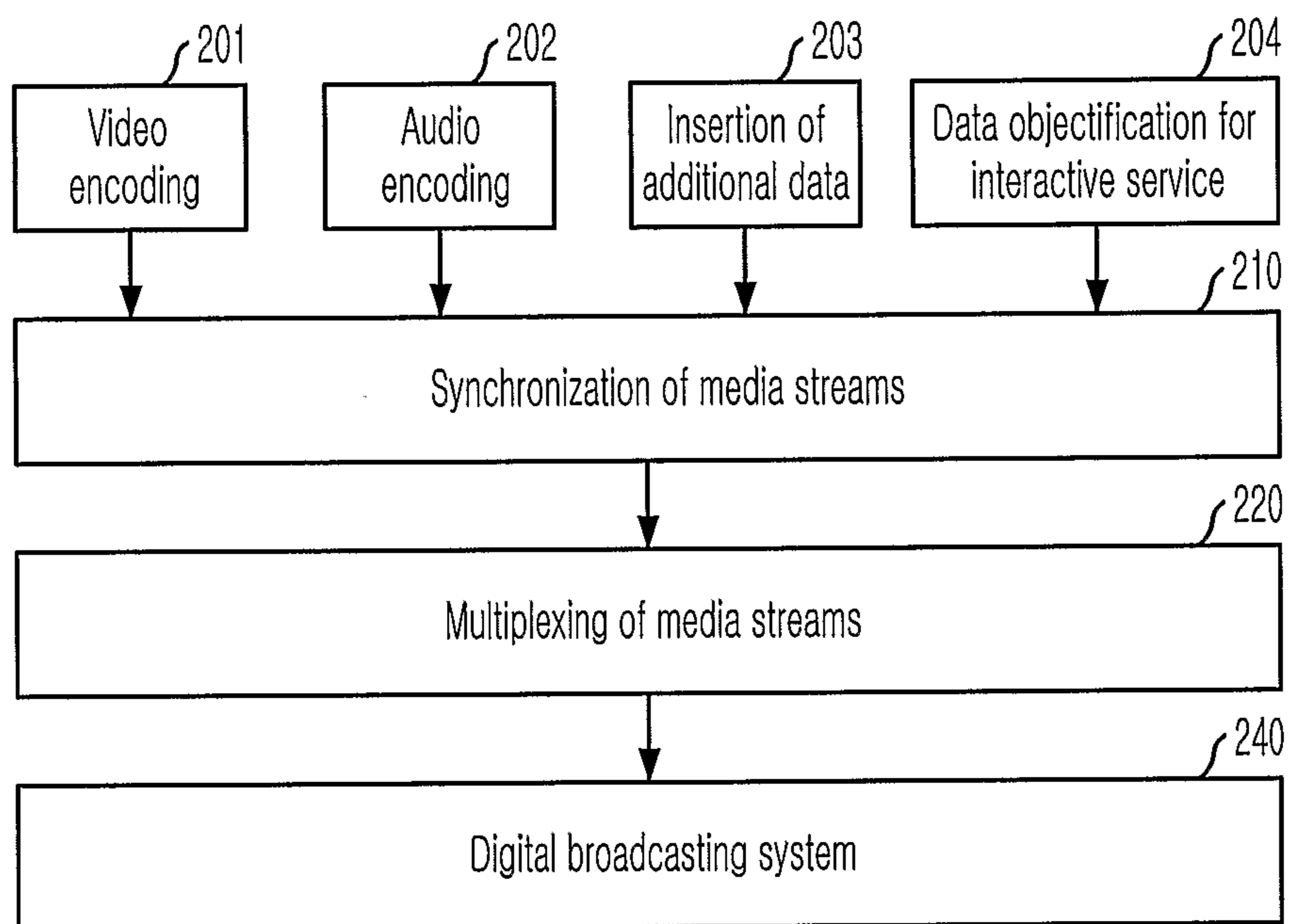




FIG. 3A

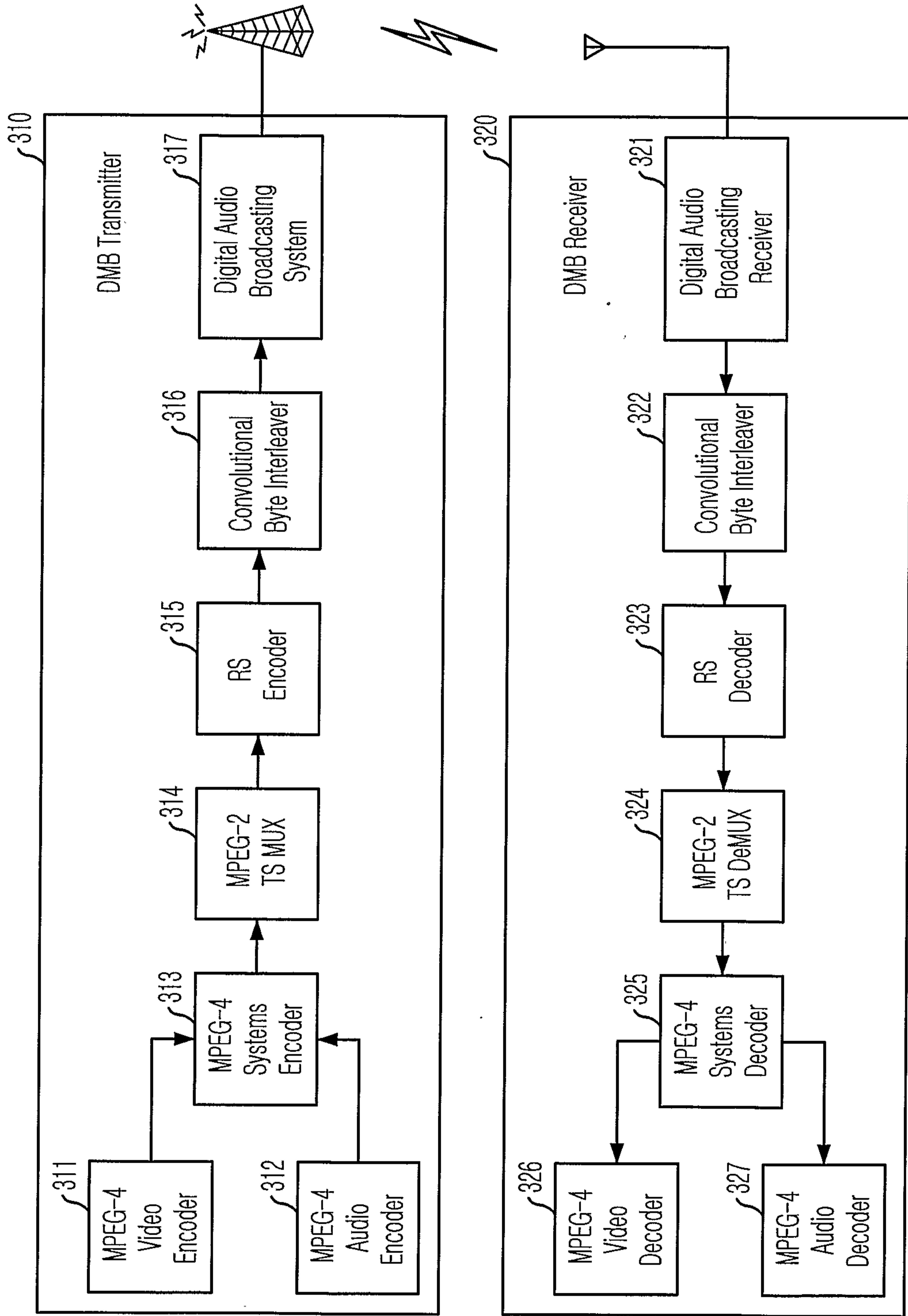


FIG. 3B

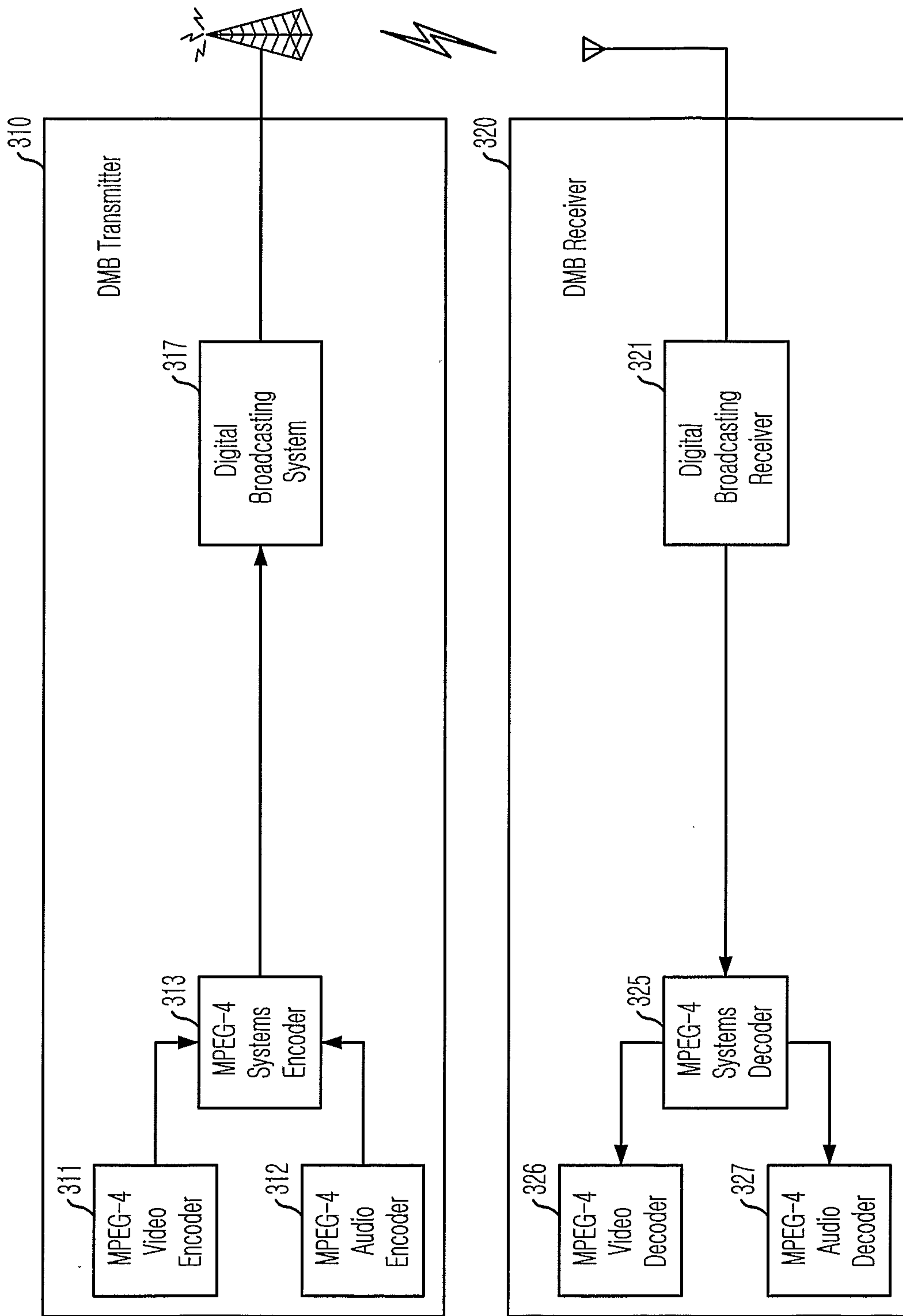




FIG. 4

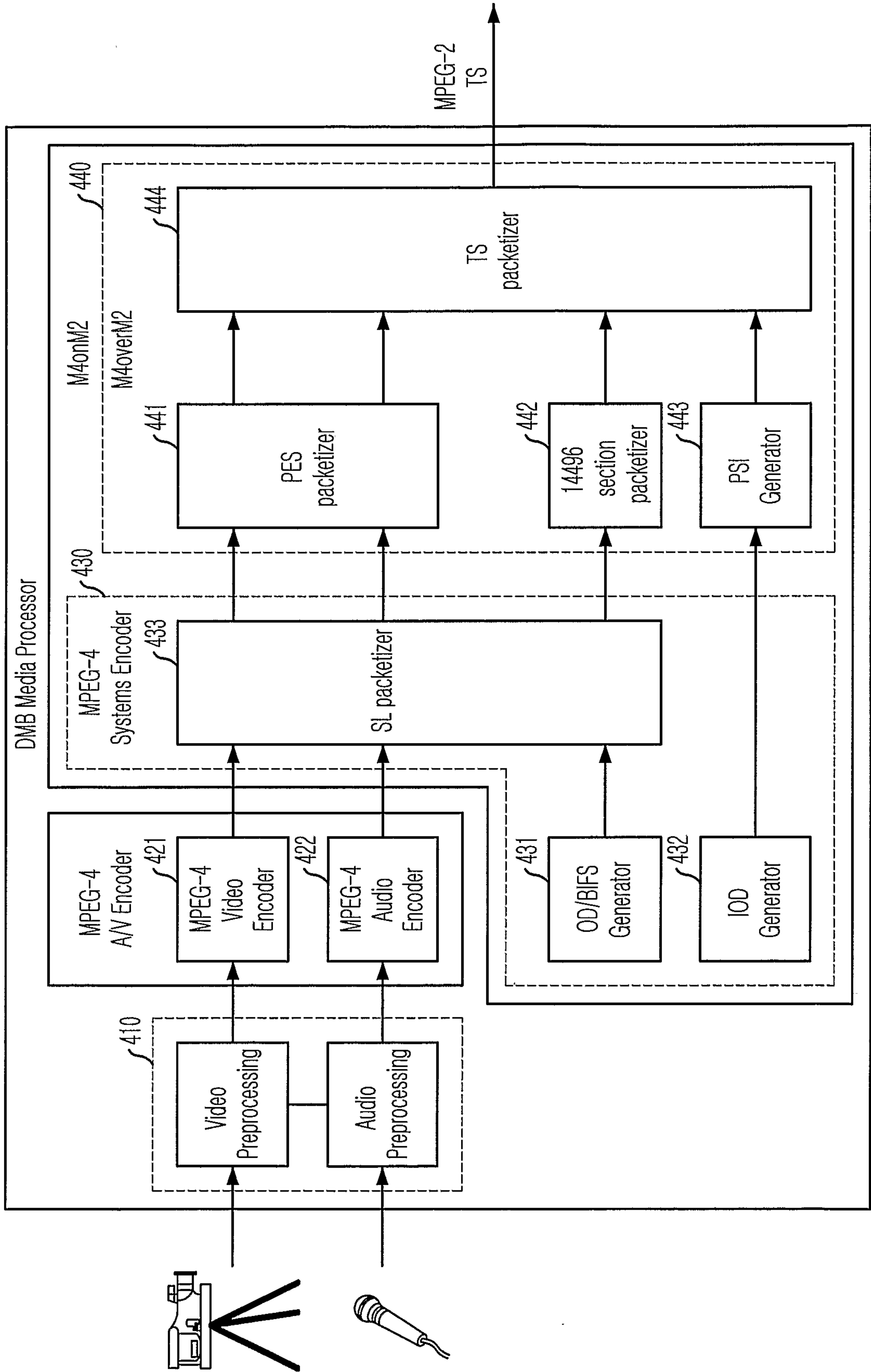


FIG. 5A

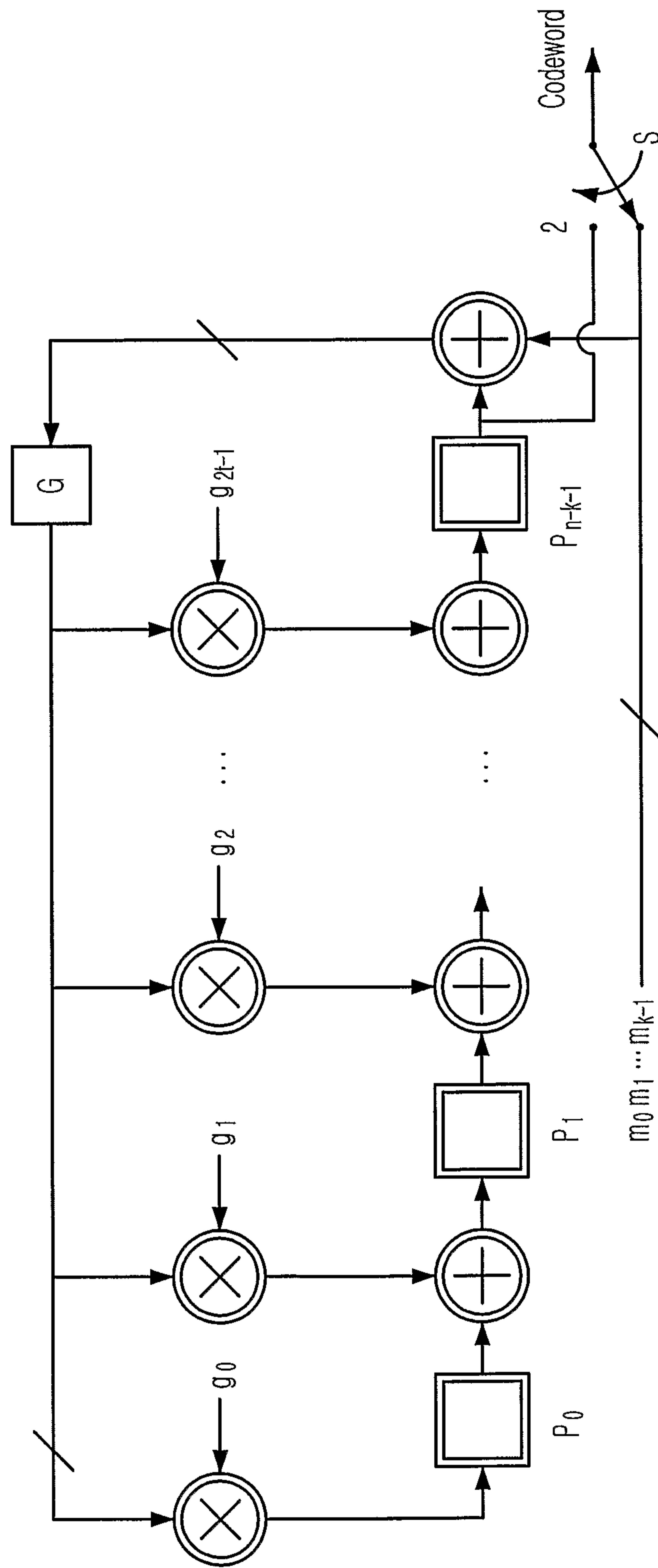


FIG. 5B

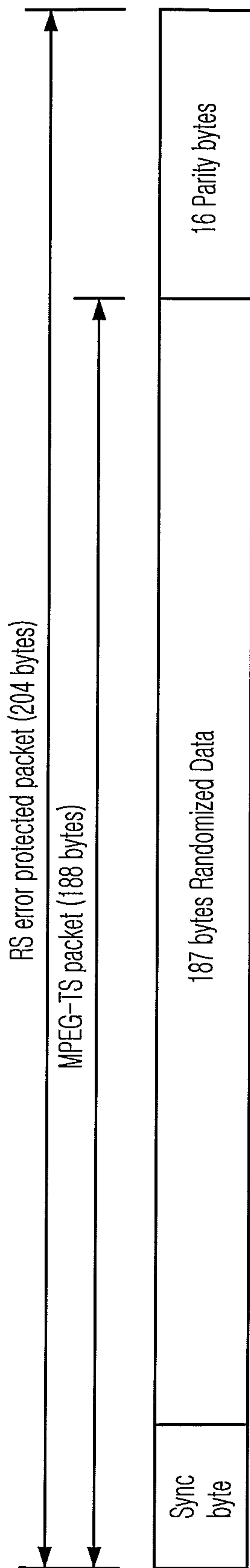




FIG. 6

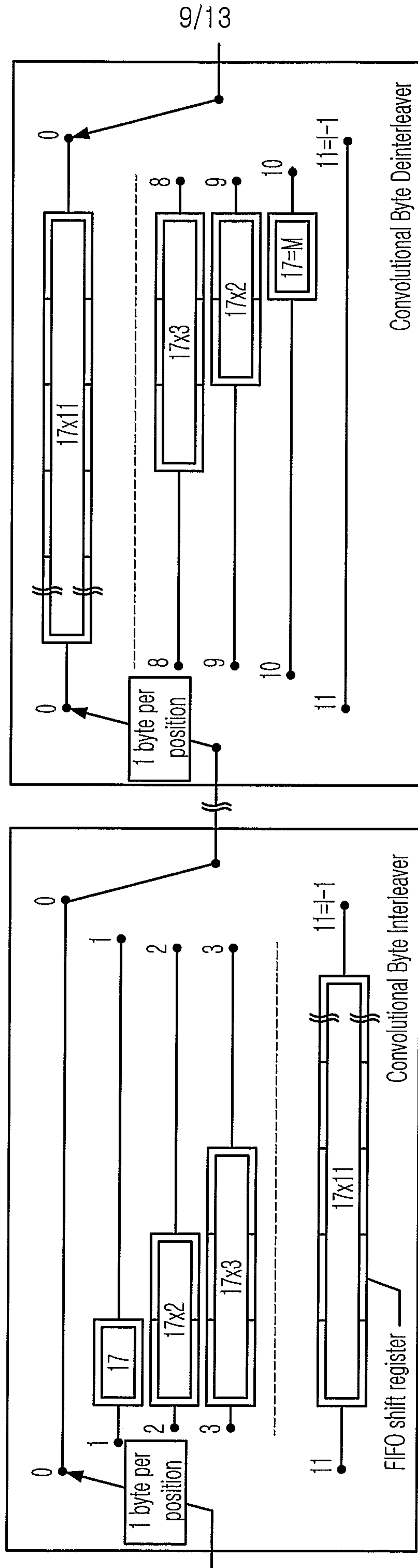


FIG. 7

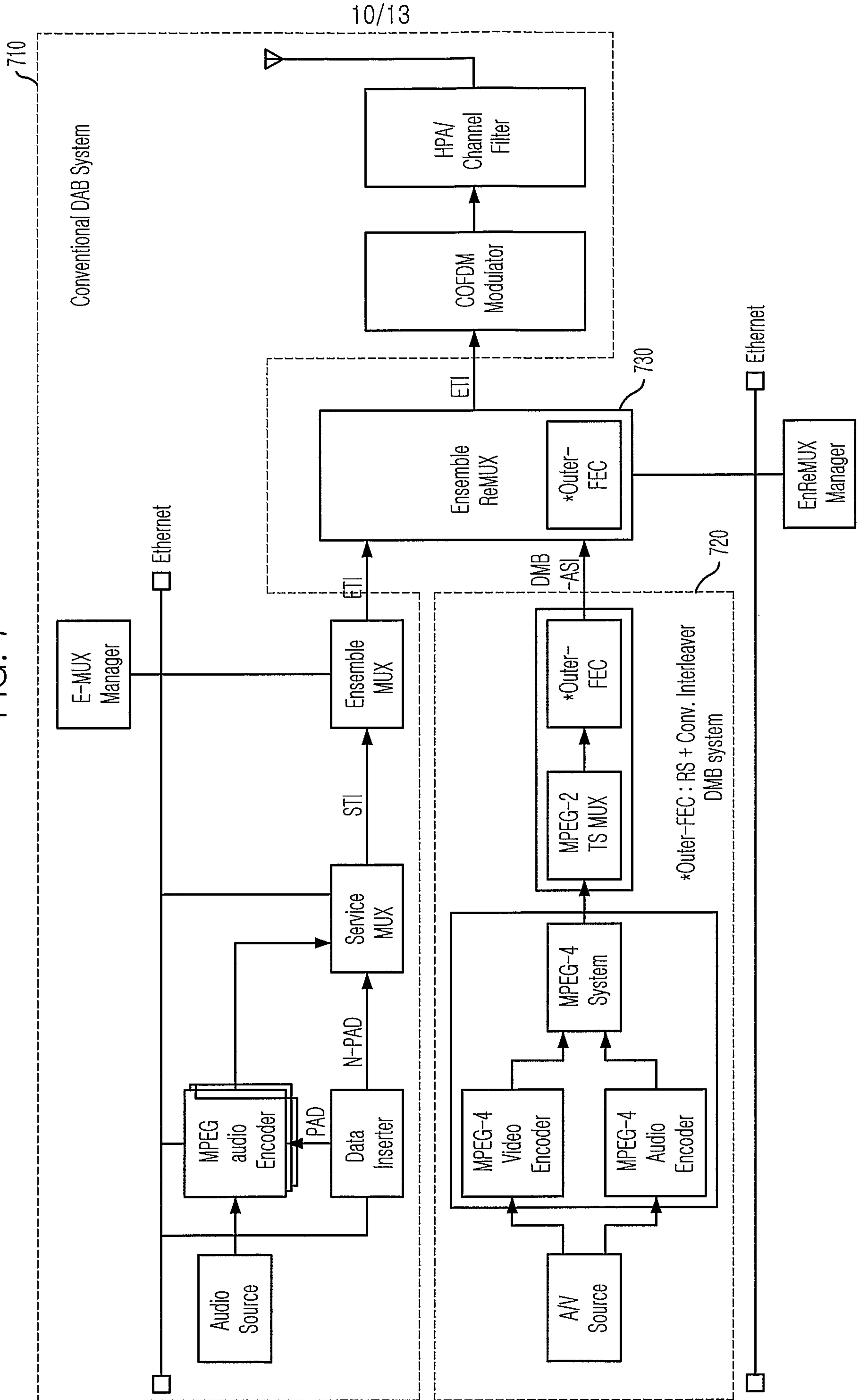
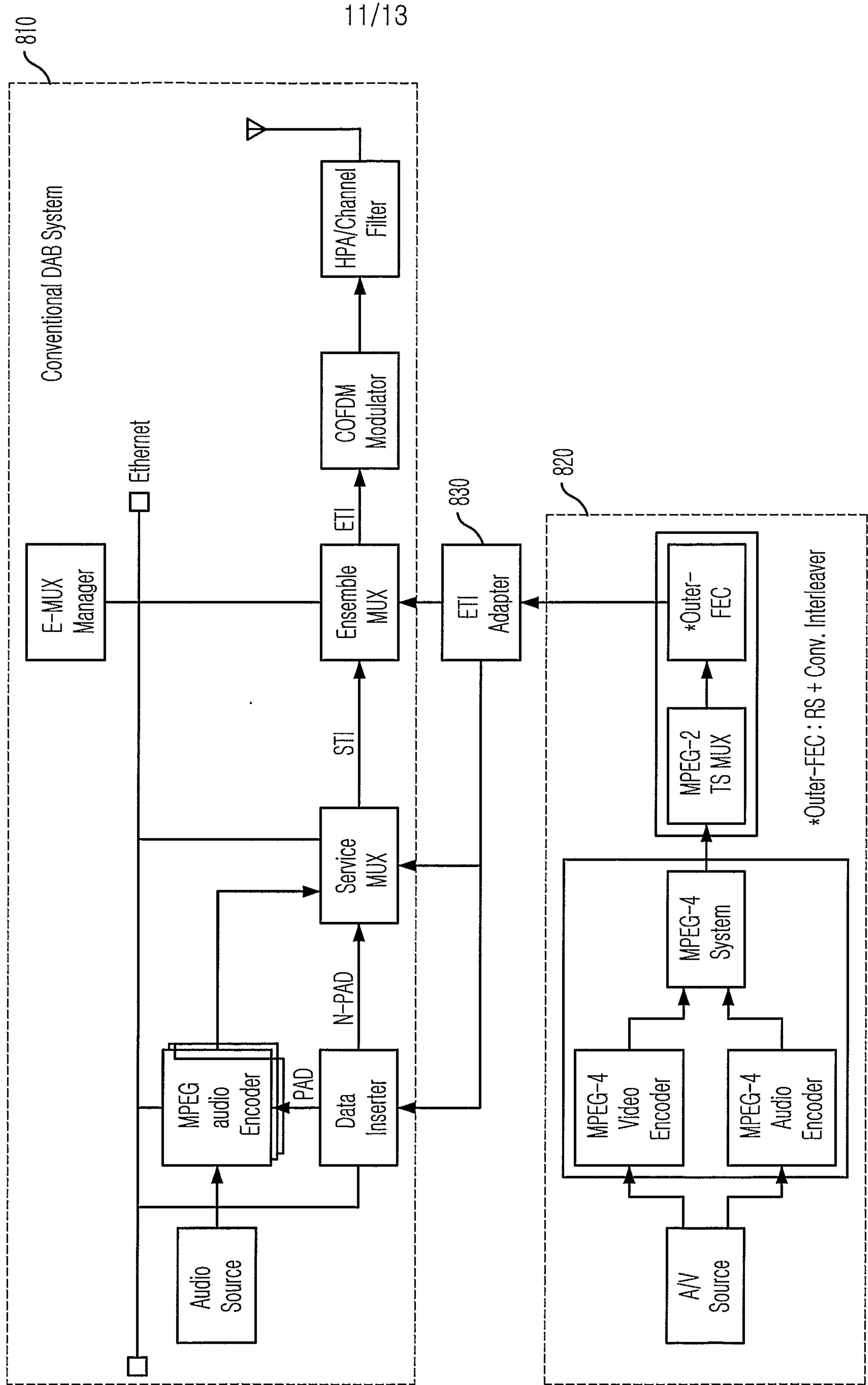


FIG. 8





12/13

FIG. 9

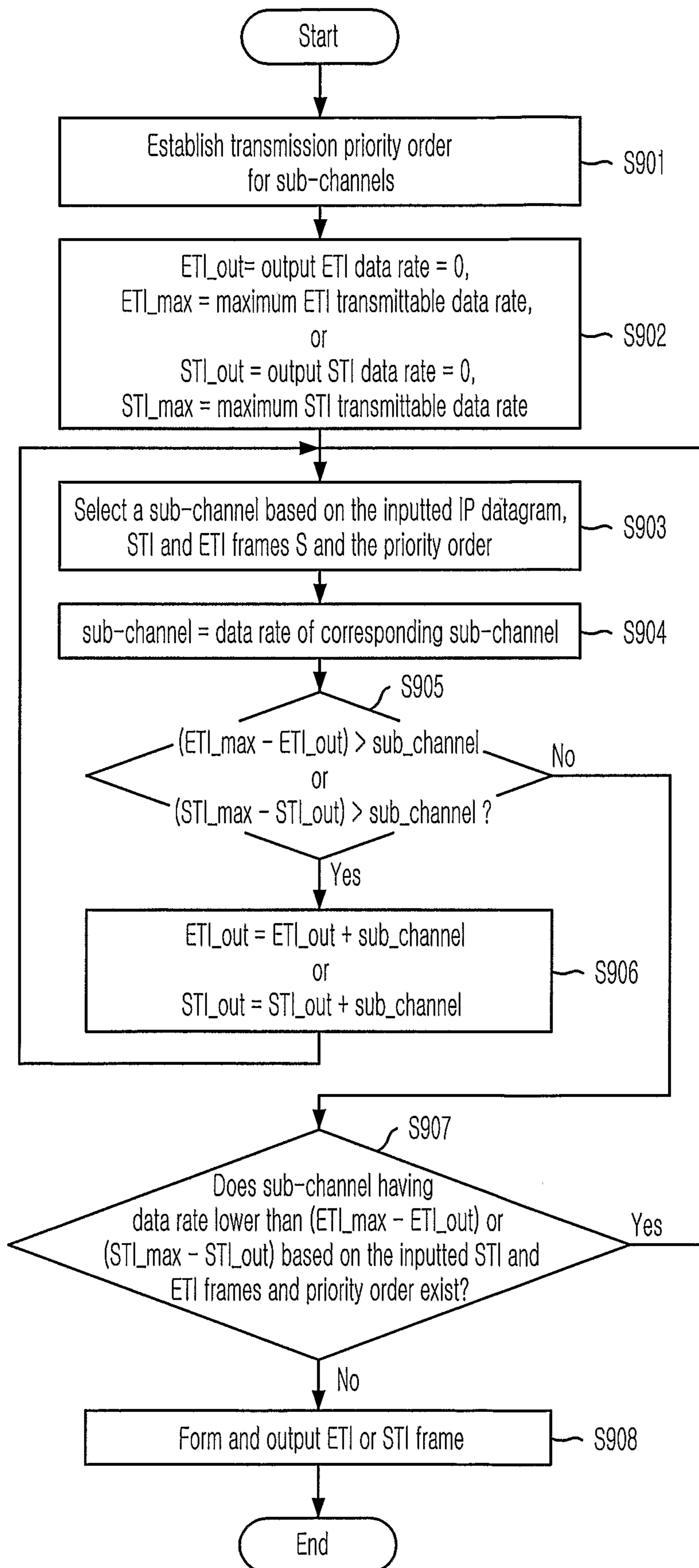


FIG. 10

