



US00D770718S

(12) **United States Design Patent** (10) **Patent No.:** **US D770,718 S**  
**Frendall et al.** (45) **Date of Patent:** **\*\* Nov. 1, 2016**

(54) **SHOPPING CART COMPONENT**

(71) Applicant: **Retail Design Services, LLC**,  
Northfield, MN (US)

(72) Inventors: **Jonathon A. Frendall**, Buffalo, MN  
(US); **John Robert Ebling**, Northfield,  
MN (US); **Jay Robert Stemler**, Elk  
River, MN (US); **Gary Robert Ebling**,  
Northfield, MN (US)

3,309,100 A 3/1967 Barbuti  
4,034,539 A 7/1977 Economy  
D263,456 S 3/1982 Muellner  
4,487,134 A 12/1984 Foote  
4,496,058 A 1/1985 Harris et al.  
4,643,280 A 2/1987 Hensley  
4,679,818 A 7/1987 Kakavas  
4,765,644 A 8/1988 Bell  
D316,238 S 4/1991 Giambrone  
D319,906 S 9/1991 Takahashi  
D329,835 S 9/1992 Scheinrock  
D357,440 S 4/1995 Pietra

(73) Assignee: **Retail Design Services, LLC**,  
Northfield, MN (US)

(Continued)

(\*\*) Term: **14 Years**

(21) Appl. No.: **29/499,313**

(22) Filed: **Aug. 13, 2014**

**Related U.S. Application Data**

(62) Division of application No. 29/451,076, filed on Mar. 27, 2013, now Pat. No. Des. 714,011, which is a division of application No. 29/436,561, filed on Nov. 7, 2012, now Pat. No. Des. 681,901, which is a division of application No. 29/406,240, filed on Nov. 10, 2011, now Pat. No. Des. 672,932.

(51) **LOC (10) Cl.** ..... **12-02**

(52) **U.S. Cl.**

USPC ..... **D34/27**

(58) **Field of Classification Search**

USPC ..... D34/12-27; 280/33.991, 33.992,  
280/33.993, 33.994; 296/100.16; D12/133  
CPC ..... B62B 3/14; B62B 3/144; B62B 3/1496;  
B62B 3/1404

See application file for complete search history.

(56) **References Cited**

**U.S. PATENT DOCUMENTS**

D175,004 S 6/1955 Alley  
3,019,953 A 2/1962 Umanoff

**OTHER PUBLICATIONS**

Proprietary: "Kohl's Shopping Cart component Part Information,"  
Nov. 8, 2010, 16 pages.

(Continued)

*Primary Examiner* — Cynthia Ramirez

(74) *Attorney, Agent, or Firm* — James L. Young;  
Westman, Champlin & Koehler, P.A.

(57)

**CLAIM**

The ornamental design for a shopping cart component, as shown and described.

**DESCRIPTION**

FIG. 1 is an isometric view of a shopping cart component assembly;

FIG. 2 is a front view thereof;

FIG. 3 is a rear view thereof;

FIG. 4 is a right side view thereof;

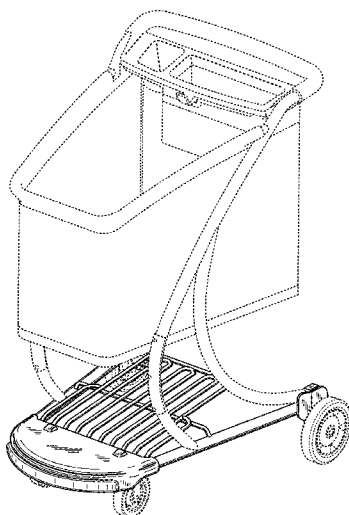
FIG. 5 is a left side view thereof;

FIG. 6 is a top view thereof; and,

FIG. 7 is a bottom view thereof.

The broken lines shown in the figures is included for the purpose of illustrating environment and forms no part of the claimed design.

**1 Claim, 6 Drawing Sheets**



(56)

**References Cited**

U.S. PATENT DOCUMENTS

5,649,718	A	7/1997	Groglio	
D417,763	S	12/1999	Monem	
6,098,998	A	8/2000	Ondrasik	
D444,281	S	6/2001	Gaze et al.	
D444,927	S	7/2001	Lin	
6,406,041	B1	6/2002	Rea	
6,932,363	B2	8/2005	D'Angelo	
D525,758	S	7/2006	Lynch	
D540,998	S	4/2007	Splain et al.	
D550,423	S	9/2007	Splain et al.	
7,407,169	B2	8/2008	Splain	
D583,123	S	12/2008	Cassin, III	
D649,732	S	11/2011	Muscara	
8,313,114	B1	11/2012	Aron	
D672,932	S	* 12/2012	Fredendall	..... D34/27
D681,901	S	* 5/2013	Fredendall	..... D34/27
D714,011	S	* 9/2014	Fredendall	..... D34/27
2001/0035618	A1	11/2001	DeCost	
2002/0074753	A1	6/2002	Thalhofer et al.	
2005/0067801	A1	3/2005	Copland	
2007/0210541	A1	9/2007	Johnson	
2008/0211200	A1	9/2008	Eberlein	
2009/0315300	A1	12/2009	Siba	

OTHER PUBLICATIONS

Proprietary: "Kohl's Stroller/Cart Manual," Feb. 13, 2006, 11 pages.

Proprietary: Leggett & Platt Store Fixtures Group, Drawings of cart and components, 5 sheets, dated Oct. 19, 2010.

Proprietary: Leggett & Platt Store Fixtures Group, Drawings of cart and components, 5 sheets dated Nov. 11, 2010.

Proprietary: Leggett & Platt Store Fixtures Group, Drawings of cart and components, 5 sheets, dated Nov. 12, 2010.

Michael Daehn, "The Importance of Shopping Carts," obtained from <http://marketingingenious.terapad.com>, published Dec. 10, 2008, printed Jul. 1, 2011, 7 pages.

Sears shopping cart, obtained from [www.prioritydesigns.com](http://www.prioritydesigns.com), copyright 2007-2011, printed Oct. 13, 2011, 7 pages.

EXpress6000—Retail Metal Shopping Cart, obtained from [www.versacart.com/express6000.php](http://www.versacart.com/express6000.php), copyright 2008, printed Nov. 8, 2011, 1 page.

Claire Erickson, "My Latest Project," published at [www.ericksoncl.wordpress.com/2010/05/14/my-latest-project/](http://www.ericksoncl.wordpress.com/2010/05/14/my-latest-project/), posted May 14, 2010, printed Nov. 8, 2011, 1 page.

Sunrise Trolley Manufacturers, Products, obtained from [www.indiamart.com/sunrise-trolley-mfg/products.html](http://www.indiamart.com/sunrise-trolley-mfg/products.html), printed Nov. 10, 2011, 9 pages.

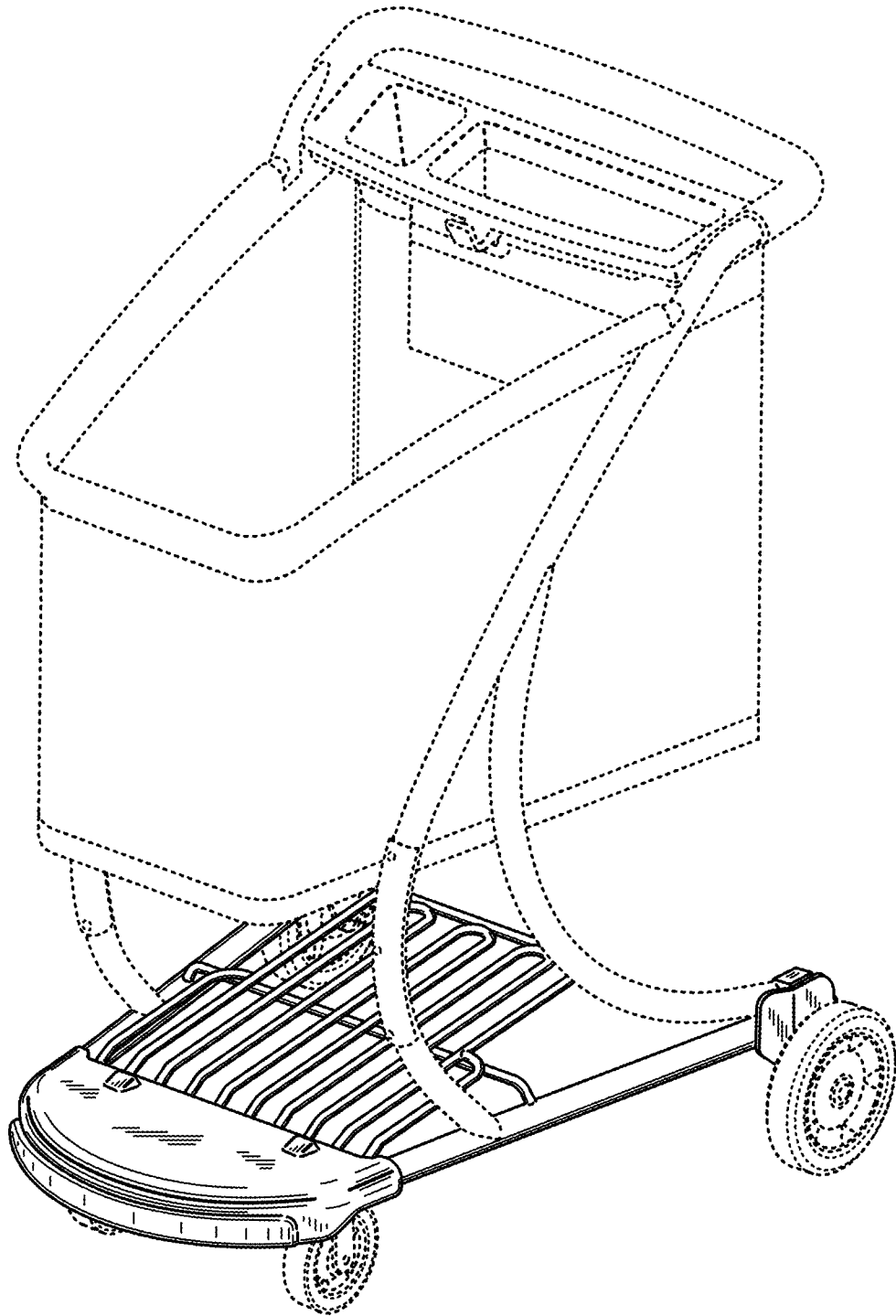
Paul Rako, "Build a goofy shopping cart, and the media will beat a path to your door," published at [www.rako.com/Diamond/28.html](http://www.rako.com/Diamond/28.html), dated May 21, 2011, printed Nov. 10, 2011, 4 pages.

"Ideo Shopping Trolley," The Retail Experience Project, published at <http://retailsingapore.wordpress.com/2011/10/16/ideo-shopping-trolley/>, post Oct. 16, 2011, print May 25, 2012, 2 pages.

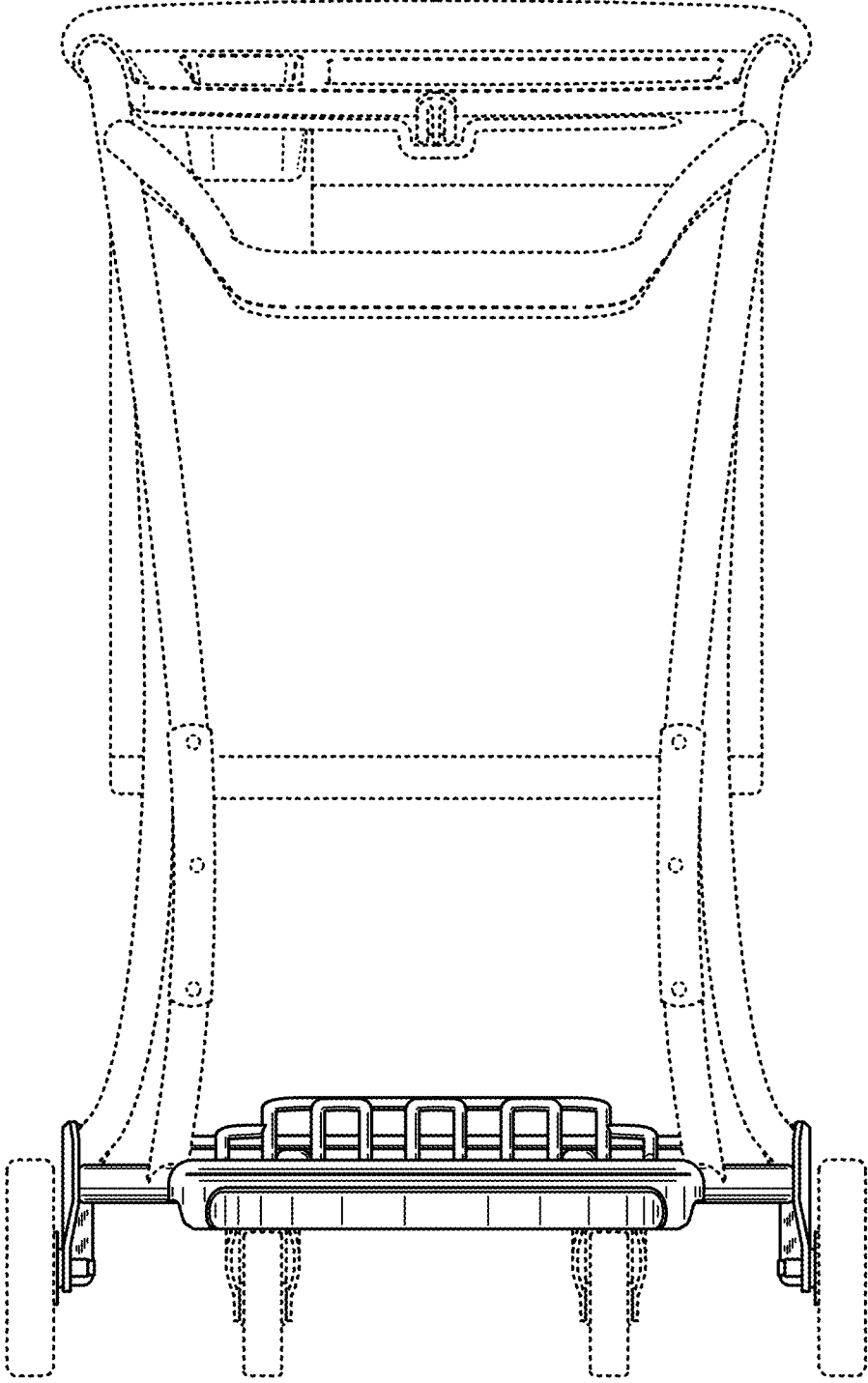
"Ideo Shopping Trolley," Design Against Crime, pp. 24-28 and 1 photo page, published at <http://extra.shu.ac.uk/dac/ideo.pdf>, obtained Nov. 2011.

"Standard Consumer Safety Performance Specification for Shopping Carts," ASTM International, W. Conshohocken, PA, US; Designation: F 2372-04, Jul. 2004, 13 pages.

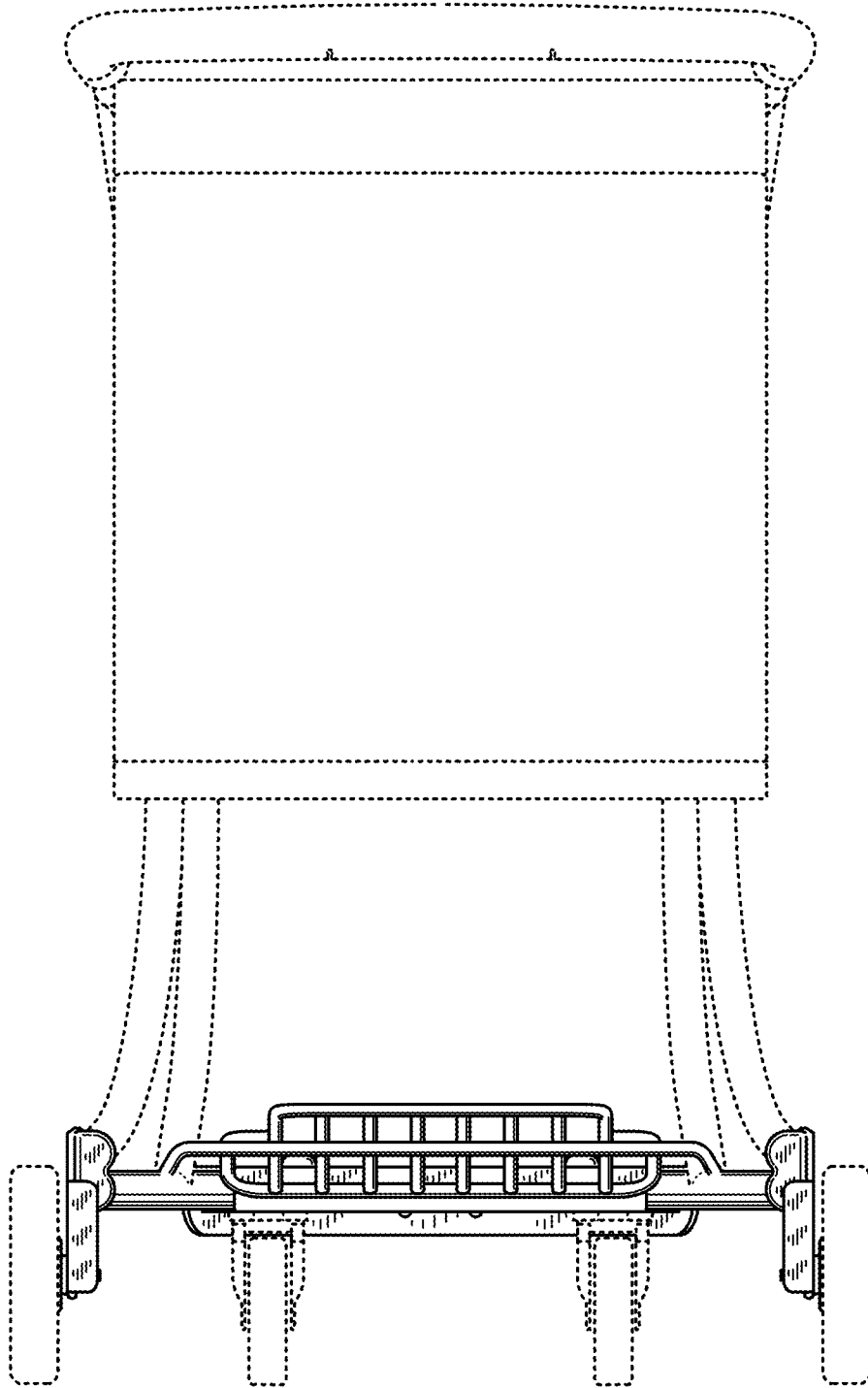
\* cited by examiner



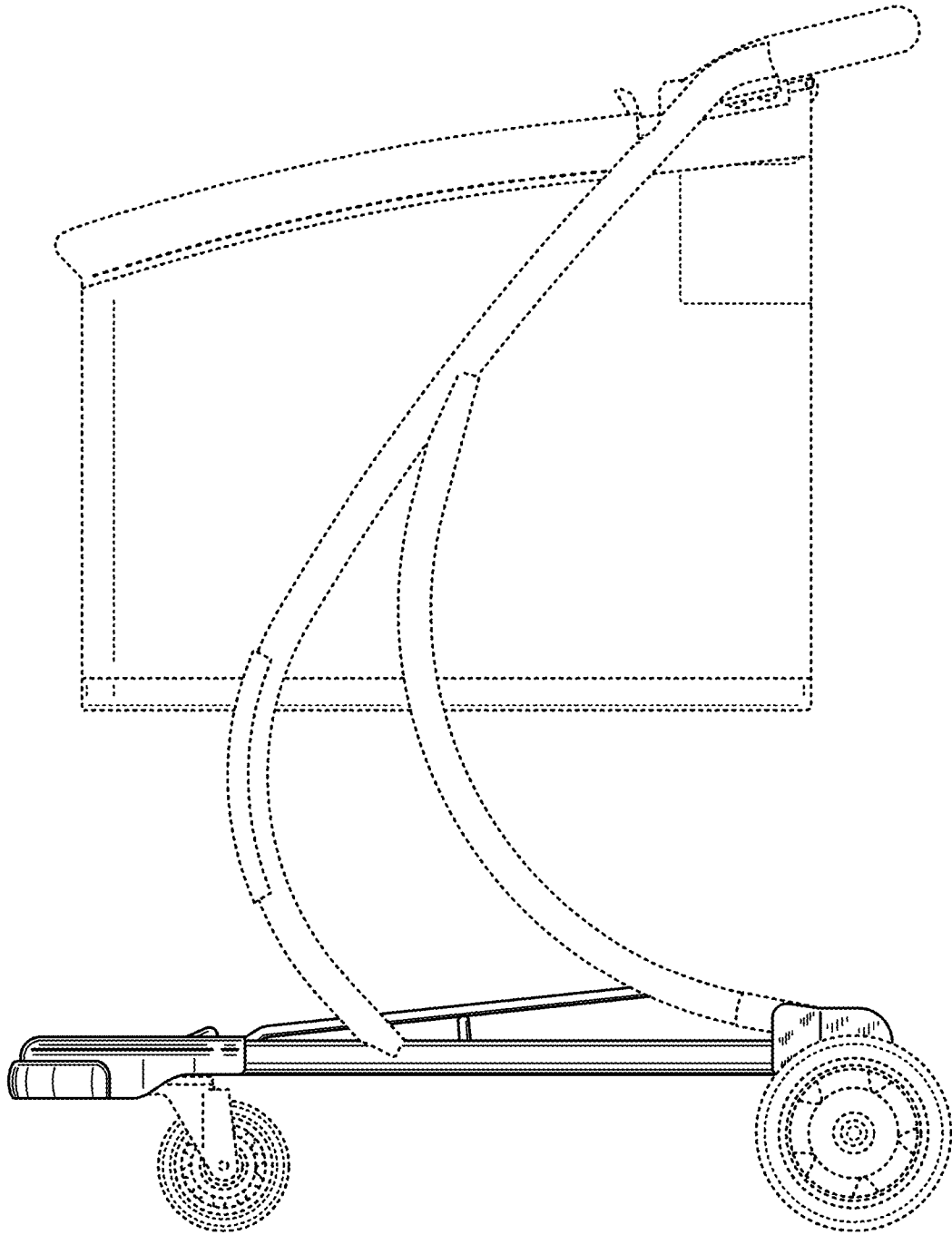
**Fig. 1**



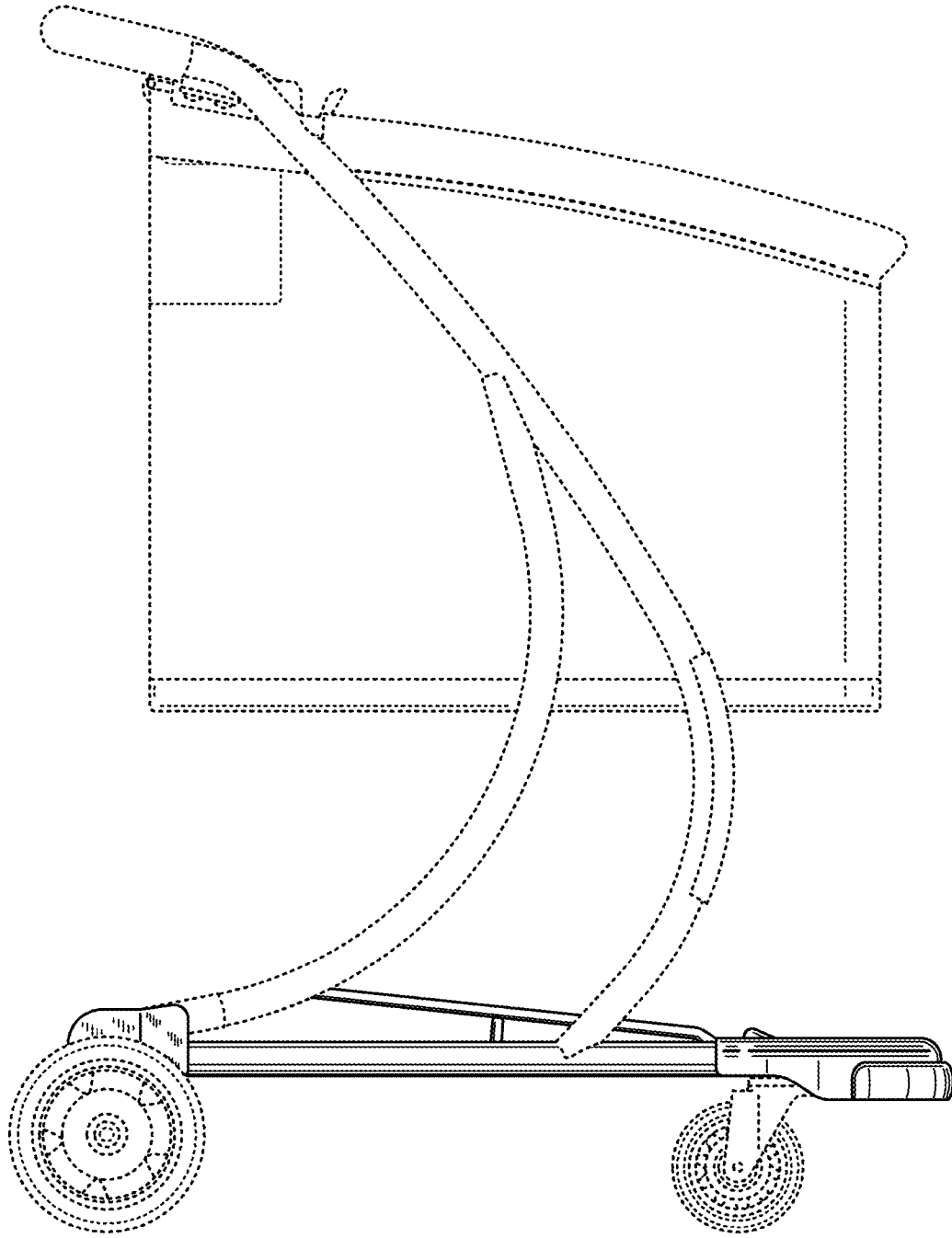
*Fig. 2*



*Fig. 3*



*Fig. 4*



**Fig. 5**

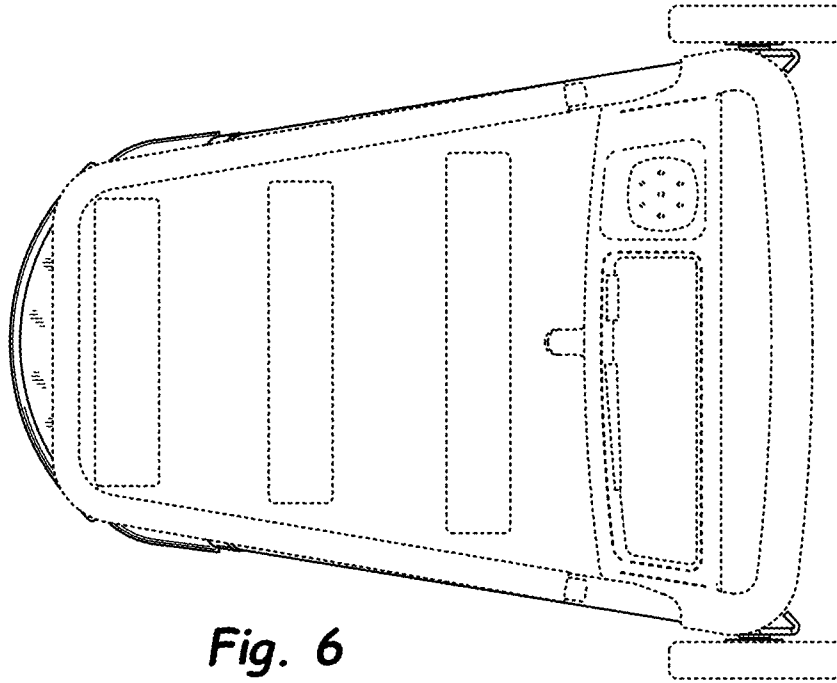


Fig. 6

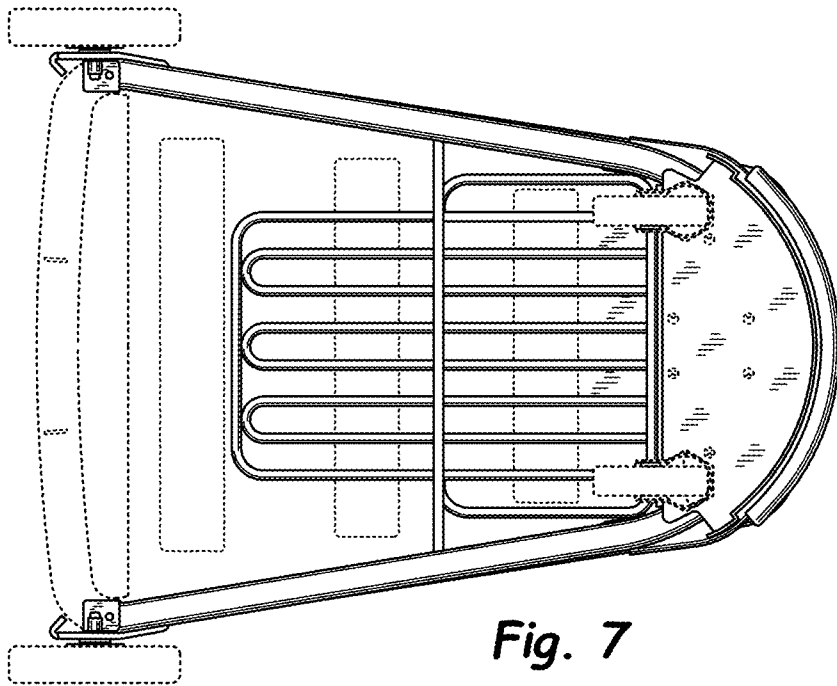


Fig. 7