



US00D799604S

(12) **United States Design Patent**
Wang

(10) **Patent No.:** **US D799,604 S**

(45) **Date of Patent:** **** Oct. 10, 2017**

- (54) **TOY MAGNETIC TILE FOR BUILDING GAME**
- (71) Applicant: **Howard Wang**, Hacienda Heights, CA (US)
- (72) Inventor: **Howard Wang**, Hacienda Heights, CA (US)
- (**) Term: **15 Years**
- (21) Appl. No.: **29/588,025**

D324,080 S *	2/1992	Galenza	D21/363
D367,079 S *	2/1996	Garrow	D21/300
D480,182 S *	9/2003	McAnally	D11/96
D490,578 S *	5/2004	McAnally	273/157 R
D536,390 S *	2/2007	Van Ness	D21/386
D536,391 S *	2/2007	Van Ness	D21/386
D599,414 S *	9/2009	Krise	D21/397
D693,482 S *	11/2013	Merriam	D25/113
D716,879 S *	11/2014	Norman	D21/486
D773,562 S *	12/2016	Kiribuchi	D21/363
D773,563 S *	12/2016	Kiribuchi	D21/363
D773,564 S *	12/2016	Kiribuchi	D21/363
D784,938 S *	4/2017	Wang	D13/183
D789,312 S *	6/2017	Wang	D13/183
D792,608 S *	7/2017	Penterman	D25/113

- (22) Filed: **Dec. 16, 2016**
- (51) **LOC (10) Cl.** **21-01**
- (52) **U.S. Cl.**
USPC **D21/386**
- (58) **Field of Classification Search**
USPC D21/300, 334, 335, 363, 365, 385, 386,
D21/388, 389, 392, 396, 397, 483, 576,
D21/621, 627; D2/502, 503, 504, 508;
D25/113-115, 118
CPC A63F 2001/001; A63F 2001/003; A63F
2001/005; A63F 2001/006; A63F 1/062;
A63F 1/067; A63F 1/08; A63F 1/10;
A63F 1/12; A63F 1/14; A63F 7/0017;
A63F 7/0023; A63F 9/20
See application file for complete search history.

* cited by examiner

Primary Examiner — George D Kirschbaum
Assistant Examiner — Joseph Kukella
(74) *Attorney, Agent, or Firm* — Tsz Lung Yeung

(57) **CLAIM**

The ornamental design for a toy magnetic tile for building game, as shown and described.

DESCRIPTION

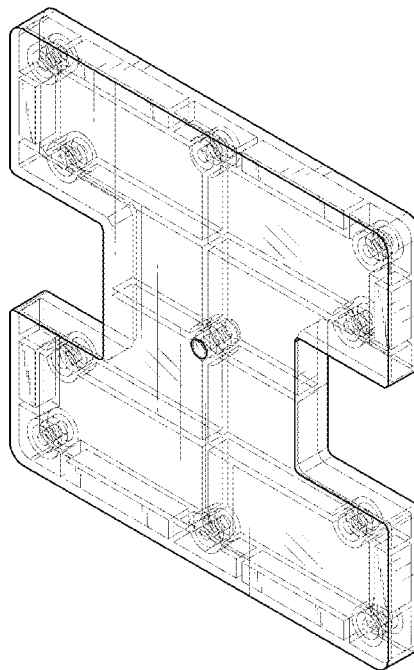
FIG. 1 is a front view of a toy magnetic tile for building game showing my new design.
FIG. 2 is a rear view thereof.
FIG. 3 is a left end view thereof.
FIG. 4 is a right end view thereof.
FIG. 5 is a top view thereof.
FIG. 6 is a bottom view thereof; and,
FIG. 7 is a perspective view thereof.

(56) **References Cited**

U.S. PATENT DOCUMENTS

D263,403 S *	3/1982	Chen	D21/386
D263,483 S *	3/1982	Chen	273/294
D319,108 S *	8/1991	van Weerden	D25/118
D319,316 S *	8/1991	van Weerden	D25/118

1 Claim, 7 Drawing Sheets



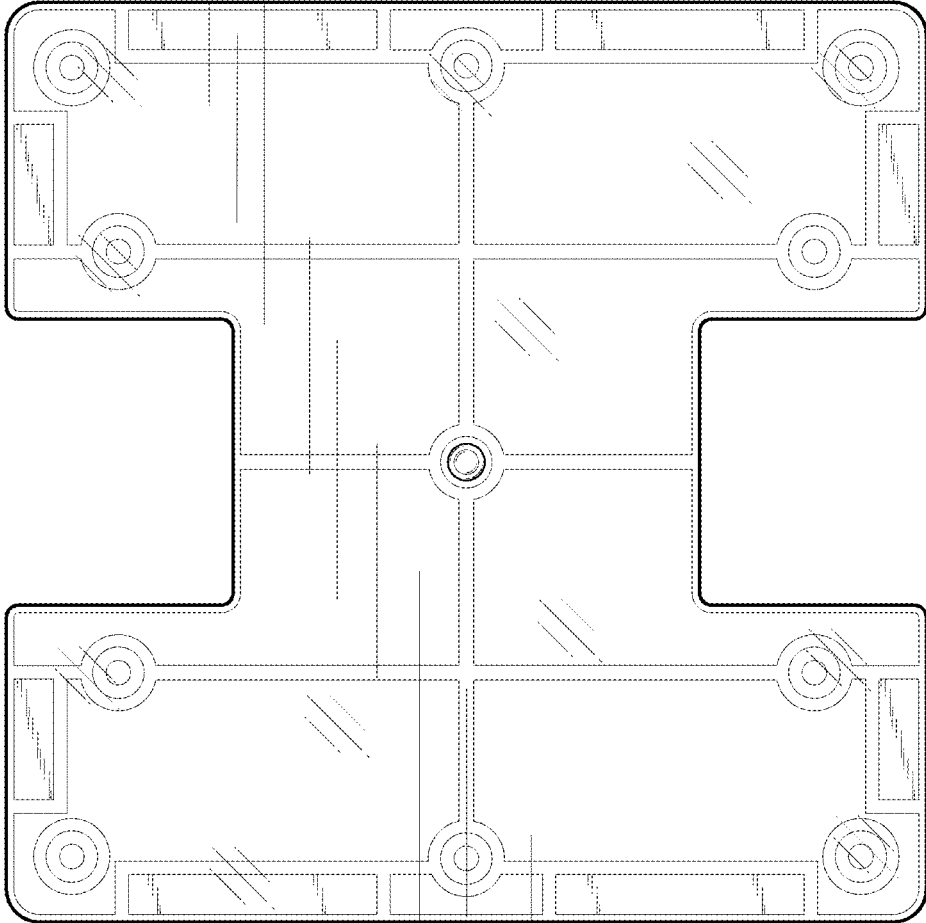


FIG.1

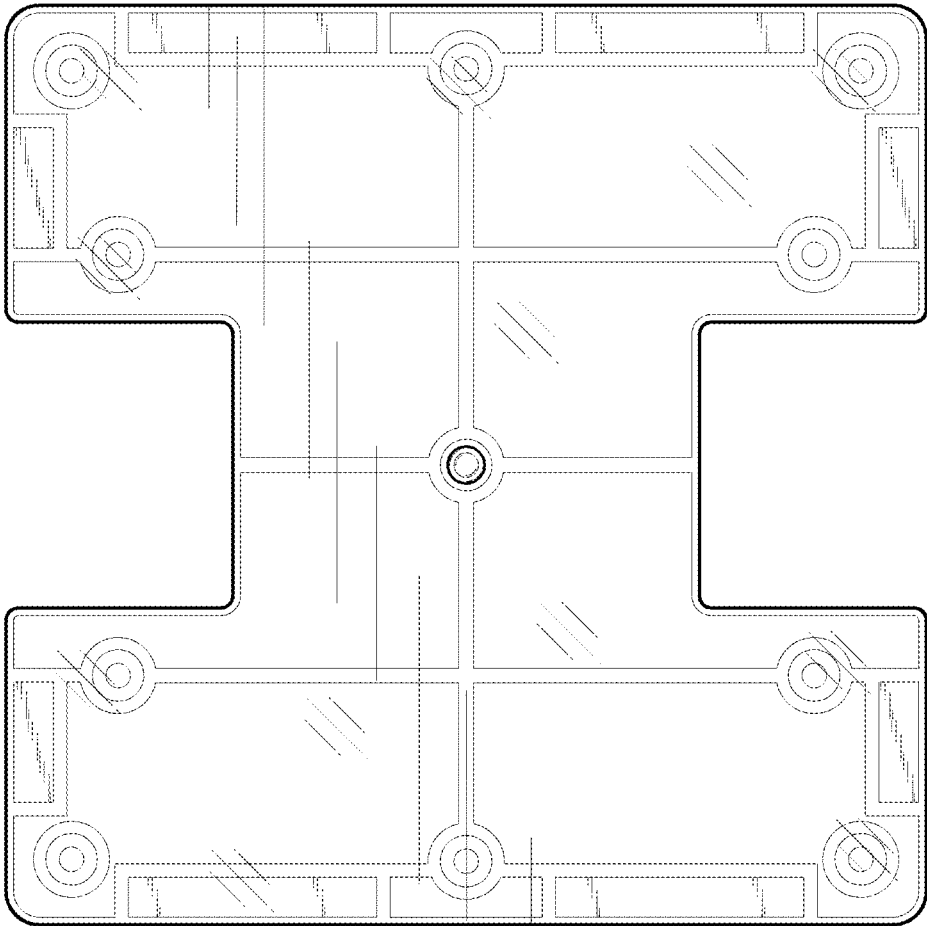


FIG.2

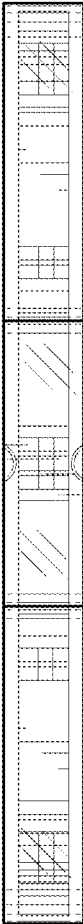


FIG.3

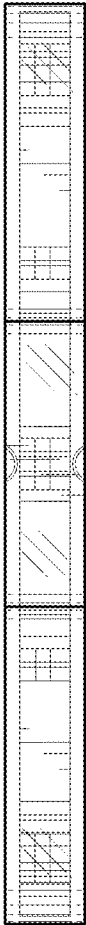


FIG.4

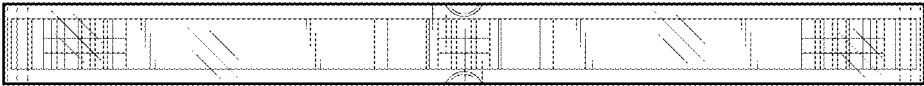


FIG.5

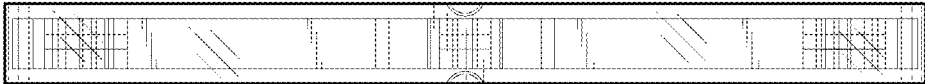


FIG.6

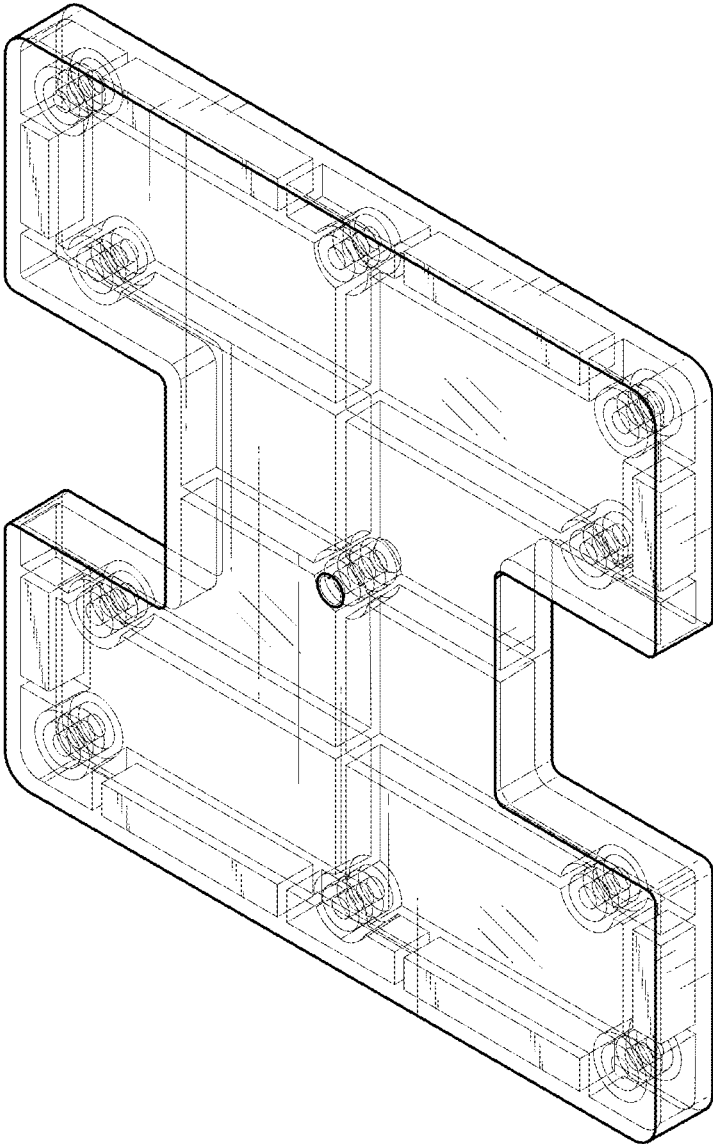


FIG.7