



- (51) **International Patent Classification:**
F16K 1/12 (2006.01) *F16K 31/122* (2006.01)
- (21) **International Application Number:**
PCT/HR2010/000014
- (22) **International Filing Date:**
19 May 2010 (19.05.2010)
- (25) **Filing Language:** Croatian
- (26) **Publication Language:** English
- (30) **Priority Data:**
P20090295A 20 May 2009 (20.05.2009) HR
P20100273A 17 May 2010 (17.05.2010) HR
- (71) **Applicant (for all designated States except US):** **HYDROMAT-INZENJERING d.o.o.** [HR/HR]; Horvatsko 72, 42240 Ivanec (HR).
- (72) **Inventor; and**
- (75) **Inventor/Applicant (for US only):** **CANJUGA, Slavko** [HR/HR]; Horvatsko 72, 42240 Ivanec (HR).
- (74) **Agent:** **BIHAR, Zeljko;** Admoveo d.o.o., Aleja lipa 1/G, 10040 (HR).

- (81) **Designated States (unless otherwise indicated, for every kind of national protection available):** AE, AG, AL, AM, AO, AT, AU, AZ, BA, BB, BG, BH, BR, BW, BY, BZ, CA, CH, CL, CN, CO, CR, CU, CZ, DE, DK, DM, DO, DZ, EC, EE, EG, ES, FI, GB, GD, GE, GH, GM, GT, HN, HR, HU, ID, IL, IN, IS, JP, KE, KG, KM, KN, KP, KR, KZ, LA, LC, LK, LR, LS, LT, LU, LY, MA, MD, ME, MG, MK, MN, MW, MX, MY, MZ, NA, NG, NI, NO, NZ, OM, PE, PG, PH, PL, PT, RO, RS, RU, SC, SD, SE, SG, SK, SL, SM, ST, SV, SY, TH, TJ, TM, TN, TR, TT, TZ, UA, UG, US, UZ, VC, VN, ZA, ZM, ZW.
- (84) **Designated States (unless otherwise indicated, for every kind of regional protection available):** ARIPO (BW, GH, GM, KE, LR, LS, MW, MZ, NA, SD, SL, SZ, TZ, UG, ZM, ZW), Eurasian (AM, AZ, BY, KG, KZ, MD, RU, TJ, TM), European (AL, AT, BE, BG, CH, CY, CZ, DE, DK, EE, ES, FI, FR, GB, GR, HR, HU, IE, IS, IT, LT, LU, LV, MC, MK, MT, NL, NO, PL, PT, RO, SE, SI, SK, SM, TR), OAPI (BF, BJ, CF, CG, CI, CM, GA, GN, GQ, GW, ML, MR, NE, SN, TD, TG).

Published:

— with international search report (Art. 21(3))

[Continued on next page]

(54) **Title:** REGULATION VALVE WITH HIDRAULIC AXIAL PISTON AND ITS USE

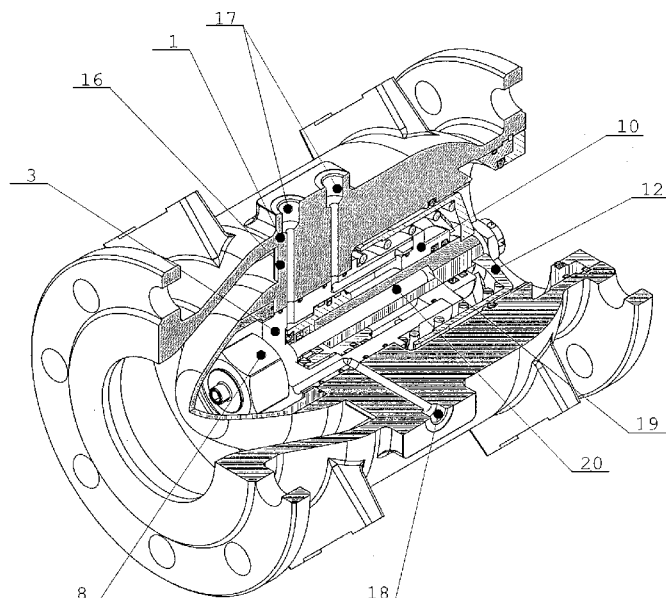


Fig. 1

(57) **Abstract:** The present invention applies to the hydraulic axial piston regulating valve with a linear position sensor, consisting of the valve body (1) and the central part (2), around which the fluid flows when the valve is opened, the hydraulic cylinder (3) with the piston (4) and the piston rod (5), to which the valve regulating piston (12) is firmly fastened. The linear position sensor (8) is placed inside the hydraulic cylinder, and in the electric version of the valve, the sensor with the magnetostrictive waveguide (20) is used. The present invention applies also to the utilization of the linear response of such valves for the regulation purpose using various driving aids; as e.g. electro-hydraulic drive, pneumatic drive or autonomous drive using the energy of the fluid flowing in the pipeline.



— *before the expiration of the time limit for amending the claims and to be republished in the event of receipt of amendments (Rule 48.2(h))*

(88) Date of publication of the international search report:
20 January 2011

INTERNATIONAL SEARCH REPORT

International application No

PCT/HR2010/000014

| A. CLASSIFICATION OF SUBJECT MATTER INV. F16K1/12 F16K31/122 ADD. | | |
|---|--|--|
| According to International Patent Classification (IPC) or to both national classification and IPC | | |
| B. FIELDS SEARCHED | | |
| Minimum documentation searched (classification system followed by classification symbols) F16K | | |
| Documentation searched other than minimum documentation to the extent that such documents are included in the fields searched | | |
| Electronic data base consulted during the international search (name of data base and, where practical, search terms used) EPO-Internal, WPI Data | | |
| C. DOCUMENTS CONSIDERED TO BE RELEVANT | | |
| Category* | Citation of document, with indication, where appropriate, of the relevant passages | Relevant to claim No. |
| A | EP 1 205 697 B1 (VALVES LTD C [IL]) 2 November 2006 (2006-11-02) paragraph [0008] - paragraph [0071]; figures | 1-19 |
| A | US 4 681 130 A (TABOR ELHANAN [IL]) 21 July 1987 (1987-07-21) column 2, line 15 - column 4, line 15; figures | 1-19 |
| A | US 2008/290310 A1 (UNRATH WILFRIED [DE]) 27 November 2008 (2008-11-27) paragraph [0018] - paragraph [0028]; figures | 1-19 |
| <input type="checkbox"/> Further documents are listed in the continuation of Box C. <input checked="" type="checkbox"/> See patent family annex. | | |
| * Special categories of cited documents : *A* document defining the general state of the art which is not considered to be of particular relevance *E* earlier document but published on or after the international filing date *L* document which may throw doubts on priority claim(s) or which is cited to establish the publication date of another citation or other special reason (as specified) *O* document referring to an oral disclosure, use, exhibition or other means *P* document published prior to the international filing date but later than the priority date claimed *T* later document published after the international filing date or priority date and not in conflict with the application but cited to understand the principle or theory underlying the invention *X* document of particular relevance; the claimed invention cannot be considered novel or cannot be considered to involve an inventive step when the document is taken alone *Y* document of particular relevance; the claimed invention cannot be considered to involve an inventive step when the document is combined with one or more other such documents, such combination being obvious to a person skilled in the art. *&* document member of the same patent family | | |
| Date of the actual completion of the international search 23 November 2010 | | Date of mailing of the international search report 02/12/2010 |
| Name and mailing address of the ISA/ European Patent Office, P.B. 5818 Patentlaan 2 NL - 2280 HV Rijswijk Tel. (+31-70) 340-2040, Fax: (+31-70) 340-3016 | | Authorized officer Rusanu, Irina |

INTERNATIONAL SEARCH REPORT

Information on patent family members

International application No

PCT/HR2010/000014

| Patent document cited in search report | | Publication date | Patent family member(s) | Publication date |
|--|----|------------------|-------------------------|------------------|
| EP 1205697 | B1 | 02-11-2006 | EP 1205697 A2 | 15-05-2002 |
| US 4681130 | A | 21-07-1987 | AU 587497 B2 | 17-08-1989 |
| | | | AU 6266486 A | 17-03-1988 |
| | | | ZA 8607019 A | 16-03-1987 |
| US 2008290310 | A1 | 27-11-2008 | DE 112006001460 A5 | 30-04-2008 |
| | | | DE 202005008794 U1 | 25-08-2005 |
| | | | WO 2006131305 A1 | 14-12-2006 |