



US0D1027795S

(12) **United States Design Patent**
Galley et al.

(10) **Patent No.:** **US D1,027,795 S**

(45) **Date of Patent:** **** May 21, 2024**

(54) **UTILITY TASK VEHICLE CARGO RACK**

D1,001,716 S * 10/2023 Buscema D12/406
D1,001,717 S * 10/2023 Schwecke D12/406
D1,008,929 S * 12/2023 Asquith D12/406

(71) Applicant: **Intrinsic Minds, LLC**, Sedalia, CO (US)

OTHER PUBLICATIONS

(72) Inventors: **Thomas Galley**, Sedalia, CO (US);
Derek Galley, Louviers, CO (US);
Dexter Galley, Parker, CO (US)

“Polaris Ranger Cargo Rack”, https://www.shophometoutdoors.com/Polaris-Ranger-Full-Size-Rear-Cargo-Rack-R-800--Fits-Polaris-Ranger-All-Models-2006-2022_p_127.html (downloaded Sep. 22, 2022), 8 pages.

(73) Assignee: **Intrinsic Minds, LLC**, Sedalia, CO (US)

* cited by examiner

(**) Term: **15 Years**

Primary Examiner — Katrina A Betton

(21) Appl. No.: **29/792,525**

(74) *Attorney, Agent, or Firm* — Holzer Patel Drennan

(22) Filed: **Apr. 5, 2022**

(57) **CLAIM**

(51) **LOC (14) Cl.** **12-16**

We claim the ornamental design for a utility task vehicle cargo rack, as shown and described.

(52) **U.S. Cl.**

DESCRIPTION

USPC **D12/406**

(58) **Field of Classification Search**

USPC D12/406–414; D32/35, 58; D6/317–319,
D6/513–514

CPC B62J 9/003; B62J 7/06; B62J 9/001

See application file for complete search history.

FIG. 1 is a partial perspective view of a utility task vehicle having a utility task vehicle cargo rack according to our new design mounted thereon.

FIG. 2 is a top-rear perspective view of the utility task vehicle cargo rack according to our new design.

FIG. 3 is a bottom-front perspective view thereof.

FIG. 4 is a top plan view thereof.

FIG. 5 is a bottom plan view thereof.

FIG. 6 is a left-side elevation view thereof.

FIG. 7 is a right-side elevation view thereof.

FIG. 8 is a rear elevation view thereof; and,

FIG. 9 is a front elevation view thereof.

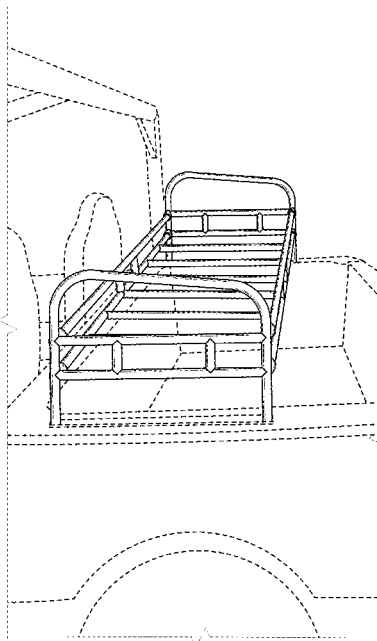
Broken lines illustrate the utility task vehicle and portions of the utility task vehicle cargo rack that form no part of the claimed design.

(56) **References Cited**

U.S. PATENT DOCUMENTS

D909,282 S *	2/2021	Cheng	D12/406
D947,750 S *	4/2022	Asquith	D12/406
D950,472 S *	5/2022	Fisher	D12/406
D951,850 S *	5/2022	Hanson	D12/406
D956,658 S *	7/2022	Asquith	D12/406
D986,139 S *	5/2023	Thompson	D12/406
D993,028 S *	7/2023	Lai	D12/406
D993,141 S *	7/2023	Warech	D12/406
D993,888 S *	8/2023	Lai	D12/406
D996,341 S *	8/2023	Wakabayashi	D12/406

1 Claim, 9 Drawing Sheets



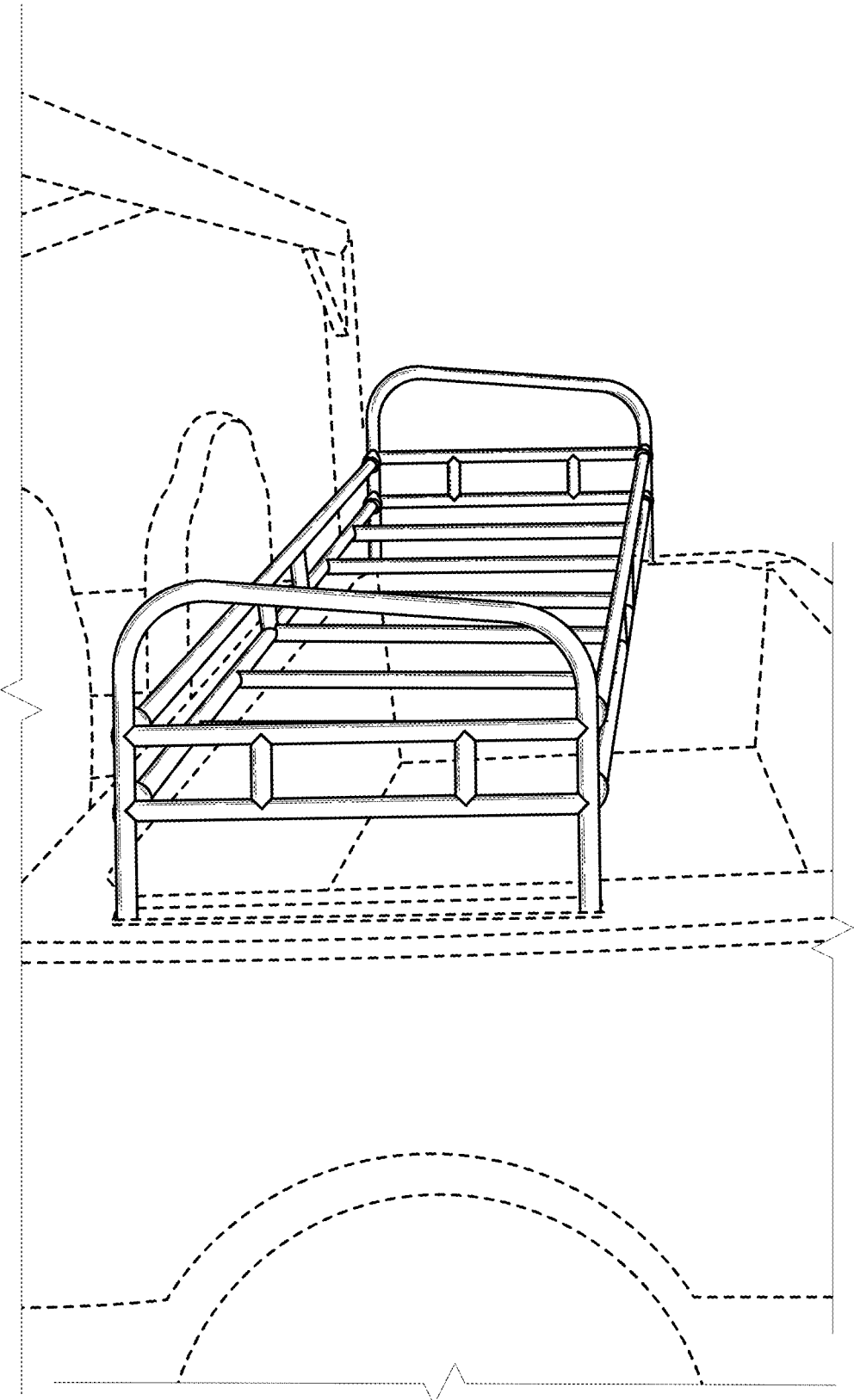


FIG. 1

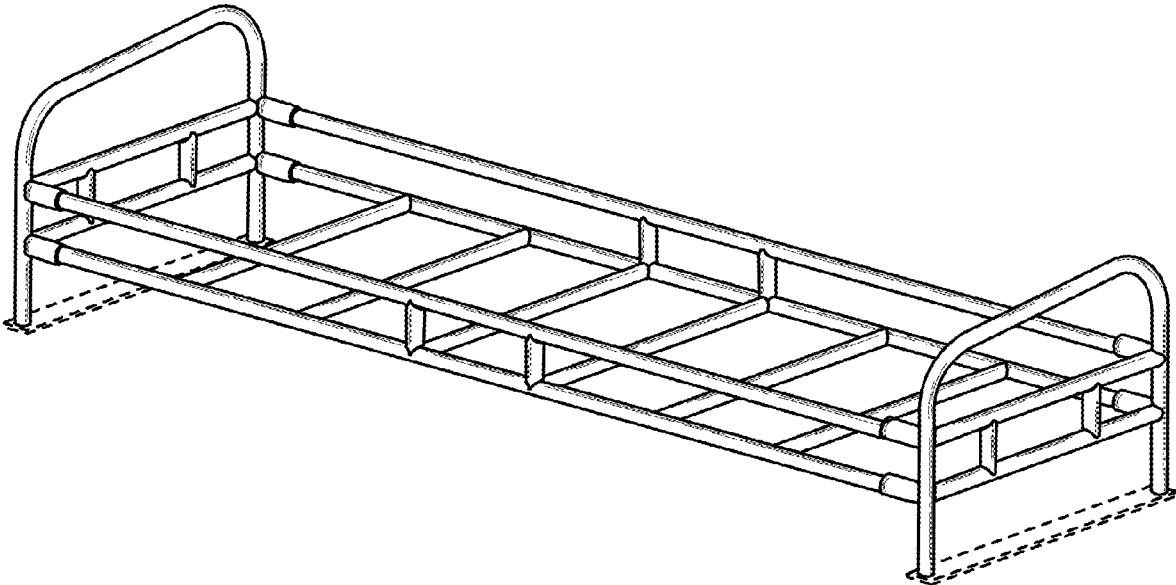


FIG. 2

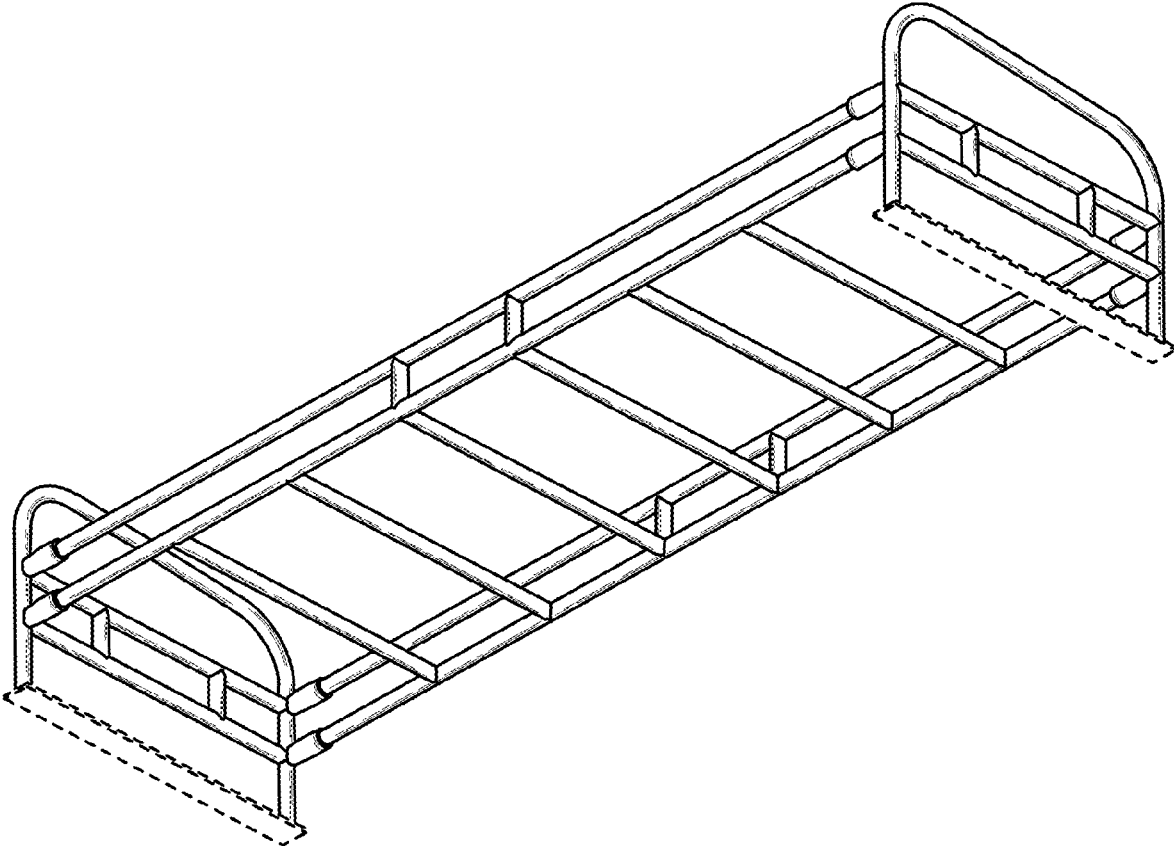


FIG. 3

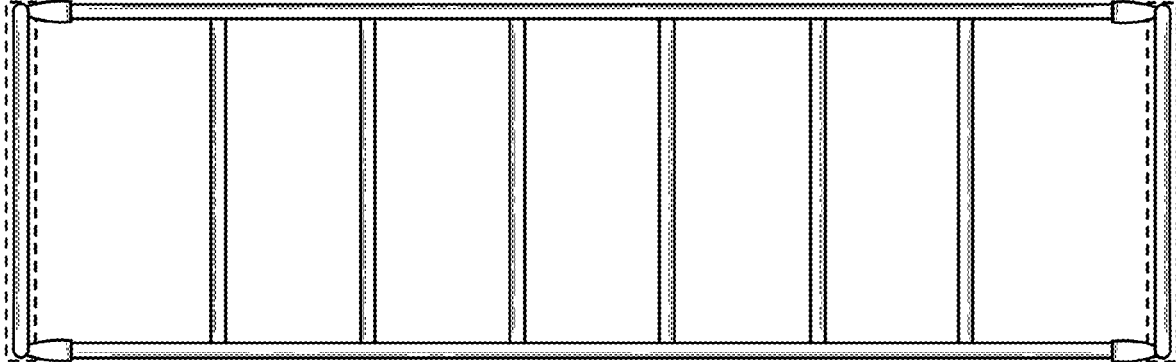


FIG. 4

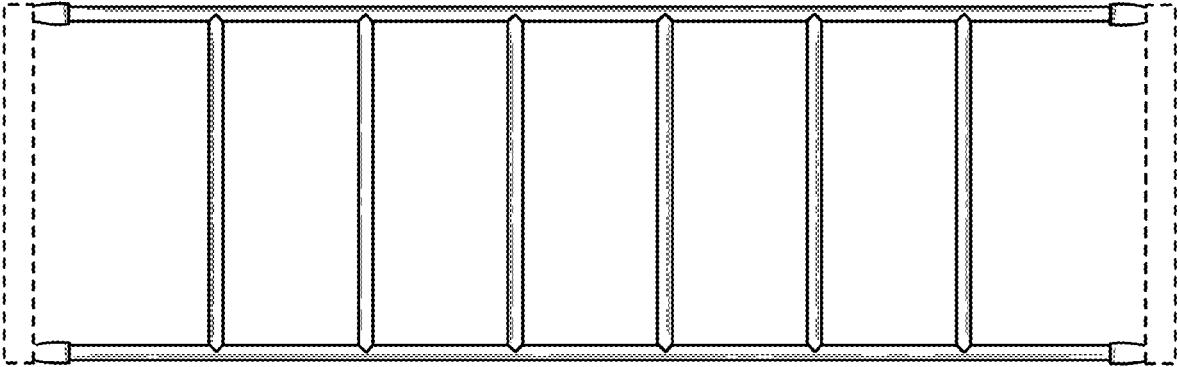


FIG. 5

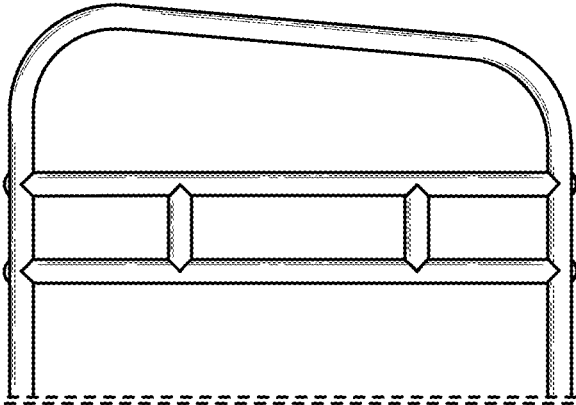


FIG. 6

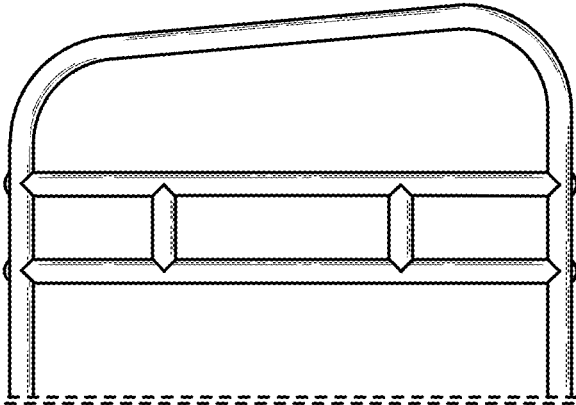


FIG. 7

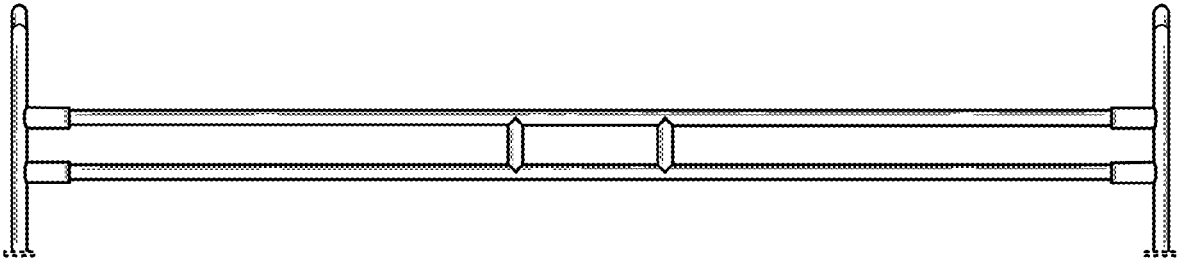


FIG. 8

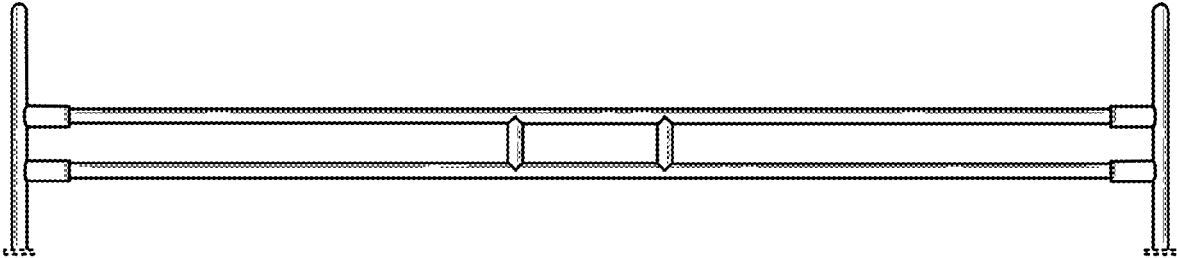


FIG. 9