

(19) World Intellectual Property Organization
International Bureau



(43) International Publication Date
9 July 2009 (09.07.2009)

PCT

(10) International Publication Number
WO 2009/083883 A3

- (51) **International Patent Classification:**
B60G 21/05 (2006.01)
- (21) **International Application Number:**
PCT/IB2008/055416
- (22) **International Filing Date:**
18 December 2008 (18.12.2008)
- (25) **Filing Language:** Italian
- (26) **Publication Language:** English
- (30) **Priority Data:**
TO2007A000941 27 December 2007 (27.12.2007) IT
- (71) **Applicant (for all designated States except US):** SISTEMI SOSPENSIONI S.P.A. [IT/IT]; Viale Aldo Borletti 61/63, I-20011 Corbetta (Milano) (IT).
- (72) **Inventors; and**
- (75) **Inventors/Applicants (for US only):** BORGNA, Guido [IT/IT]; Via Di Nanni 50, I-10139 Torino (IT). D'APONTE, Armando [IT/IT]; Via Wagner 31, I-15100 Alessandria (IT). MONCHIERO, Piero [IT/IT]; Via Don Grioli 9, I-10137 Torino (IT). SANTINI, Andrea [IT/IT]; Via De Amicis 63, I-10093 Collegno (Torino) (IT).
- (74) **Agents:** RONDANO, Davide et al.; c/o Jacobacci & Partners S.p.A., Corso Emilia, 8, I-10152 Torino (IT).
- (81) **Designated States (unless otherwise indicated, for every kind of national protection available):** AE, AG, AL, AM, AO, AT, AU, AZ, BA, BB, BG, BH, BR, BW, BY, BZ, CA, CH, CN, CO, CR, CU, CZ, DE, DK, DM, DO, DZ, EC, EE, EG, ES, FI, GB, GD, GE, GH, GM, GT, HN, HR, HU, ID, IL, IN, IS, JP, KE, KG, KM, KN, KP, KR, KZ, LA, LC, LK, LR, LS, LT, LU, LY, MA, MD, ME, MG, MK, MN, MW, MX, MY, MZ, NA, NG, NI, NO, NZ, OM, PG, PH, PL, PT, RO, RS, RU, SC, SD, SE, SG, SK, SL, SM, ST, SV, SY, TJ, TM, TN, TR, TT, TZ, UA, UG, US, UZ, VC, VN, ZA, ZM, ZW.
- (84) **Designated States (unless otherwise indicated, for every kind of regional protection available):** ARIPO (BW, GH, GM, KE, LS, MW, MZ, NA, SD, SL, SZ, TZ, UG, ZM, ZW), Eurasian (AM, AZ, BY, KG, KZ, MD, RU, TJ, TM), European (AT, BE, BG, CH, CY, CZ, DE, DK, EE, ES, FI, FR, GB, GR, HR, HU, IE, IS, IT, LT, LU, LV, MC, MT, NL, NO, PL, PT, RO, SE, SI, SK, TR), OAPI (BF, BJ, CF, CG, CI, CM, GA, GN, GQ, GW, ML, MR, NE, SN, TD, TG).

Declarations under Rule 4.17:

[Continued on next page]

(54) **Title:** TWIST-BEAM AXLE AND METHOD OF MAKING THE CROSS-BEAM

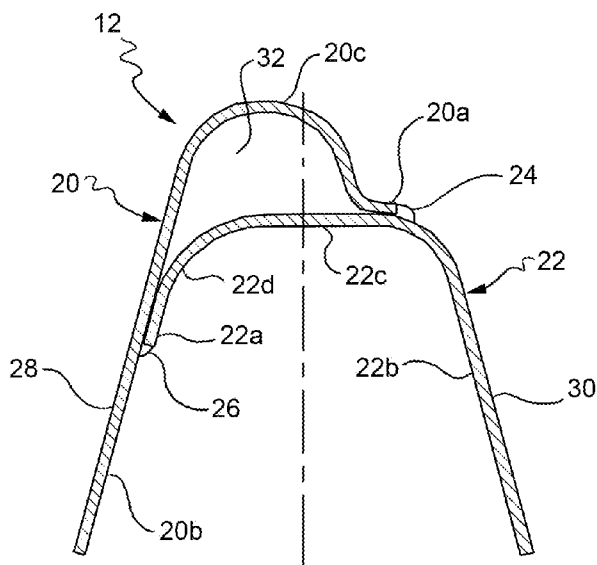


FIG. 2

(57) **Abstract:** The cross-member (12) comprises first and second beam elements (20, 22) having an open cross-section and firmly secured to each other so as to enclose a closed cross-section chamber (32) having such shape and sizes as to provide the cross-member (12) with the desired torsional stiffness. A free edge (20a) of the first beam element (20) is firmly secured to the outer surface of an intermediate portion (22c) of the second beam element (22) and a free edge (22a) of the second beam element (22) is firmly secured to the inner surface of an intermediate portion (20b) of the first beam element (20). The two beam elements (20, 22) are advantageously made as stamped sheet metal pieces.



WO 2009/083883 A3



-
- *as to applicant's entitlement to apply for and be granted a patent (Rule 4.17(ii))*
 - *of inventorship (Rule 4.17(iv))*
 - *before the expiration of the time limit for amending the claims and to be republished in the event of receipt of amendments (Rule 48.2(h))*

Published:

- *with international search report (Art. 21(3))*

(88) Date of publication of the international search report:
27 August 2009

INTERNATIONAL SEARCH REPORT

International application No
PCT/IB2008/055416

A. CLASSIFICATION OF SUBJECT MATTER INV. B60G21/05		
According to International Patent Classification (IPC) or to both national classification and IPC		
B. FIELDS SEARCHED		
Minimum documentation searched (classification system followed by classification symbols) B60G		
Documentation searched other than minimum documentation to the extent that such documents are included in the fields searched		
Electronic data base consulted during the international search (name of data base and, where practical, search terms used) EPO-Internal		
C. DOCUMENTS CONSIDERED TO BE RELEVANT		
Category*	Citation of document, with indication, where appropriate, of the relevant passages	Relevant to claim No.
A	EP 1 454 776 A (AUTO CHASSIS INTERNAT SNC [FR]) 8 September 2004 (2004-09-08) cited in the application paragraph [0068] - paragraph [0069]; figure 2	1-7
A	WO 2006/096980 A (MAGNA INT INC [CA]; GABBIANELLI GIANFRANCO [US]; KISELIS P GREGORY [US]) 21 September 2006 (2006-09-21) cited in the application paragraph [0023]; figures 5,7	1-7
A	DE 10 2004 003152 A1 (VOLKSWAGEN AG [DE]) 11 August 2005 (2005-08-11) paragraph [0023] - paragraph [0024]; figure 2	1-7
<input type="checkbox"/> Further documents are listed in the continuation of Box C. <input checked="" type="checkbox"/> See patent family annex.		
* Special categories of cited documents :		
A document defining the general state of the art which is not considered to be of particular relevance *E* earlier document but published on or after the international filing date *L* document which may throw doubts on priority claim(s) or which is cited to establish the publication date of another citation or other special reason (as specified) *O* document referring to an oral disclosure, use, exhibition or other means *P* document published prior to the international filing date but later than the priority date claimed	*T* later document published after the international filing date or priority date and not in conflict with the application but cited to understand the principle or theory underlying the invention *X* document of particular relevance; the claimed invention cannot be considered novel or cannot be considered to involve an inventive step when the document is taken alone *Y* document of particular relevance; the claimed invention cannot be considered to involve an inventive step when the document is combined with one or more other such documents, such combination being obvious to a person skilled in the art. *&* document member of the same patent family	
Date of the actual completion of the international search	Date of mailing of the international search report	
17 June 2009	01/07/2009	
Name and mailing address of the ISA/ European Patent Office, P.B. 5818 Patentlaan 2 NL - 2280 HV Rijswijk Tel. (+31-70) 340-2040, Fax: (+31-70) 340-3016	Authorized officer Savelon, Olivier	

INTERNATIONAL SEARCH REPORT

Information on patent family members

International application No PCT/IB2008/055416

Patent document cited in search report	A	Publication date	FR	Patent family member(s)	Publication date
EP 1454776	A	08-09-2004	FR	2851958 A1	10-09-2004
WO 2006096980	A	21-09-2006	CA	2596586 A1	21-09-2006
			CN	101107141 A	16-01-2008
			EP	1843907 A1	17-10-2007
			KR	20070114744 A	04-12-2007
			US	2008191443 A1	14-08-2008
DE 102004003152	A1	11-08-2005	NONE		