



US0D1056868S

(12) **United States Design Patent**
Kato et al.

(10) **Patent No.:** **US D1,056,868 S**
(45) **Date of Patent:** **** Jan. 7, 2025**

(54) **SERVO AMPLIFIER**

- (71) Applicant: **Mitsubishi Electric Corporation**,
Tokyo (JP)
- (72) Inventors: **Hiroyuki Kato**, Tokyo (JP); **Tetsuya Okuda**, Tokyo (JP); **Kentaro Tsukamoto**, Tokyo (JP); **Masahiro Ichikawa**, Tokyo (JP); **Hanako Kondo**, Tokyo (JP); **Taku Kondo**, Tokyo (JP); **Koji Uchimura**, Tokyo (JP)
- (73) Assignee: **Mitsubishi Electric Corporation**,
Tokyo (JP)

(**) Term: **15 Years**

(21) Appl. No.: **29/842,396**

(22) Filed: **Jun. 13, 2022**

Related U.S. Application Data

(62) Division of application No. 29/741,771, filed on Jul. 15, 2020, now Pat. No. Des. 987,594.

Foreign Application Priority Data

Apr. 21, 2020 (JP) 2020-008180 D
 Apr. 21, 2020 (JP) 2020-008181 D

(51) **LOC (15) Cl.** **14-02**

(52) **U.S. Cl.**
USPC **D14/358**

(58) **Field of Classification Search**

USPC D14/167, 168, 170-172, 188, 193-198,
 D14/203.1, 204, 209.1, 210-217, 219,
 D14/221, 222, 224, 239, 496; D13/110
 CPC H04R 1/02; H04R 1/021; H04R 1/025;
 H04R 1/026; H04R 1/028; H04R 1/06;
 H04R 1/105; H04R 1/323; H04R 1/403;
 H04R 1/2803; H04R 1/2834; B60R 11/02

See application file for complete search history.

(56) **References Cited**

U.S. PATENT DOCUMENTS

D310,221 S * 8/1990 Kobayashi D14/188
 D379,174 S * 5/1997 Kornblum D14/188
 D476,306 S * 6/2003 Abe D14/188
 D478,061 S * 8/2003 Abe D14/188

(Continued)

FOREIGN PATENT DOCUMENTS

JP 1647256 S 12/2019
 JP 1647698 S 12/2019

OTHER PUBLICATIONS

An Office Action issued by the Taiwanese Patent Office on Jan. 28, 2021, which corresponds to Taiwanese Design Application No. 109305583D01 and is related to Design U.S. Appl. No. 29/741,771, with English language translation.

Primary Examiner — Khawaja Anwar
Assistant Examiner — Megan Tiana Rakos
 (74) *Attorney, Agent, or Firm* — Studebaker & Brackett
 PC

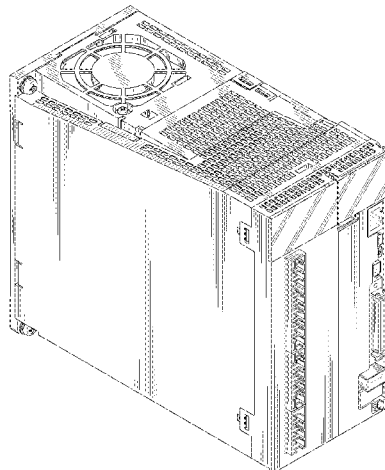
(57) **CLAIM**

The ornamental design for a servo amplifier as shown and described.

DESCRIPTION

FIG. 1 is a front perspective view of the front, left, and top sides of a servo amplifier showing our new design;
 FIG. 2 is a rear perspective view of the rear, right, and bottom sides thereof;
 FIG. 3 is a front view thereof;
 FIG. 4 is a rear view thereof;
 FIG. 5 is a top plan view thereof;
 FIG. 6 is a bottom plan view thereof;
 FIG. 7 is a right side view thereof; and,
 FIG. 8 is a left side view thereof.

(Continued)



The broken lines shown represent portions of the servo amplifier that form no part of the claimed design.

1 Claim, 8 Drawing Sheets

(56)

References Cited

U.S. PATENT DOCUMENTS

D479,219	S	*	9/2003	Abe	D14/188
D510,319	S	*	10/2005	Tuomola	D13/110
D631,436	S	*	1/2011	Huang	D13/110
D724,051	S	*	3/2015	Nakahira	D14/188
D724,052	S	*	3/2015	Nakahira	D14/188
D737,242	S	*	8/2015	Nakahira	D14/188
D758,969	S	*	6/2016	Kato	D13/162
D829,672	S	*	10/2018	Kato	D13/162
D905,638	S	*	12/2020	Kato	D13/110
D906,960	S	*	1/2021	Kato	D13/110
D906,961	S	*	1/2021	Kato	D13/110
D906,962	S	*	1/2021	Kato	D13/110
D906,963	S	*	1/2021	Kato	D13/110
D908,657	S	*	1/2021	Kato	D14/188
D927,447	S	*	8/2021	Kato	D14/188
D928,708	S	*	8/2021	Kato	D13/110
D929,940	S	*	9/2021	Kato	D13/110
D951,867	S	*	5/2022	Kato	D13/110
D982,545	S	*	4/2023	Kato	D14/188
D987,594	S	*	5/2023	Kato	D14/188
D1,008,994	S	*	12/2023	Naghshineh	D14/188
D1,016,031	S	*	2/2024	Kato	D14/188
D1,016,033	S	*	2/2024	Kato	D14/188

* cited by examiner

FIG. 1

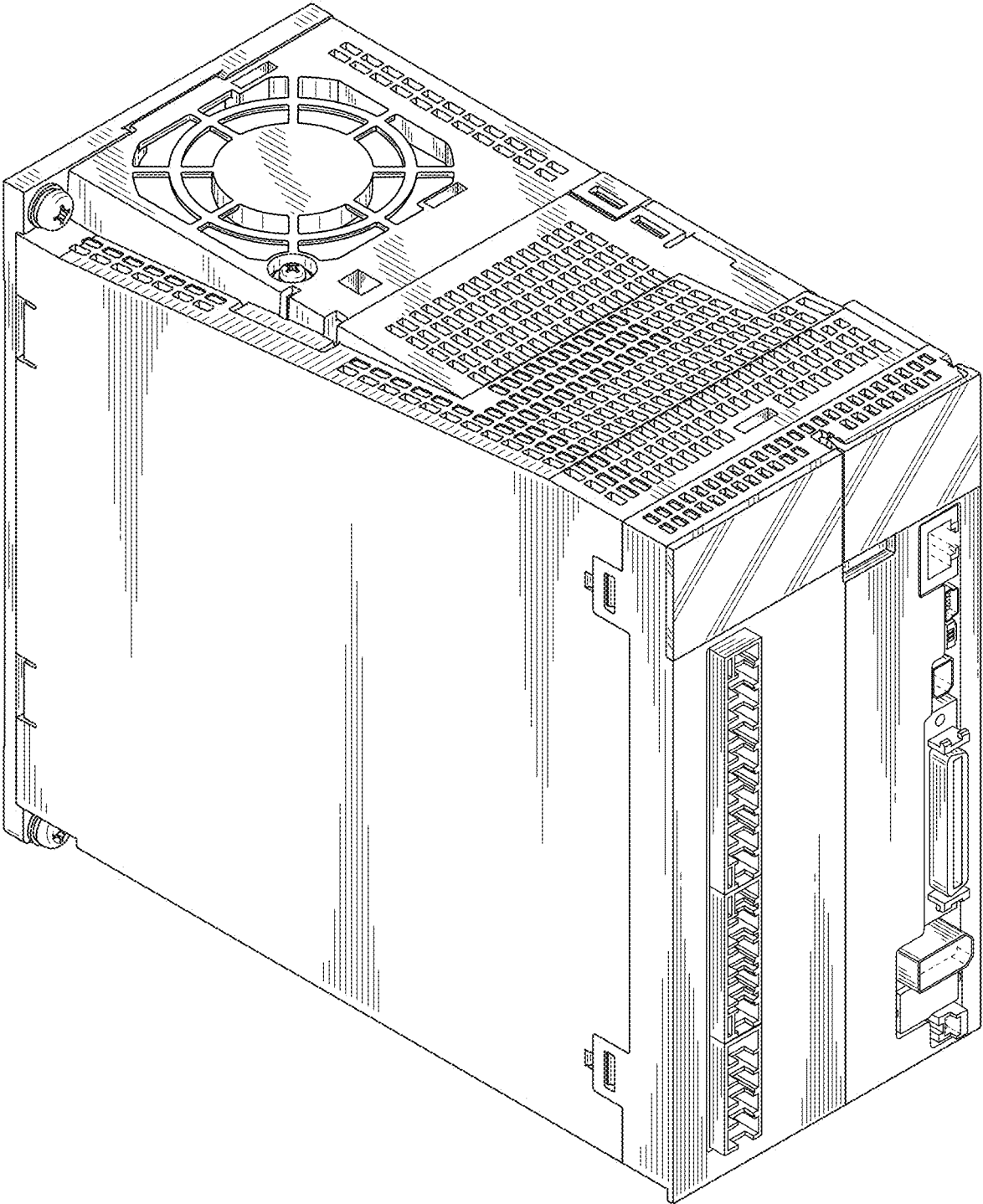


FIG. 2

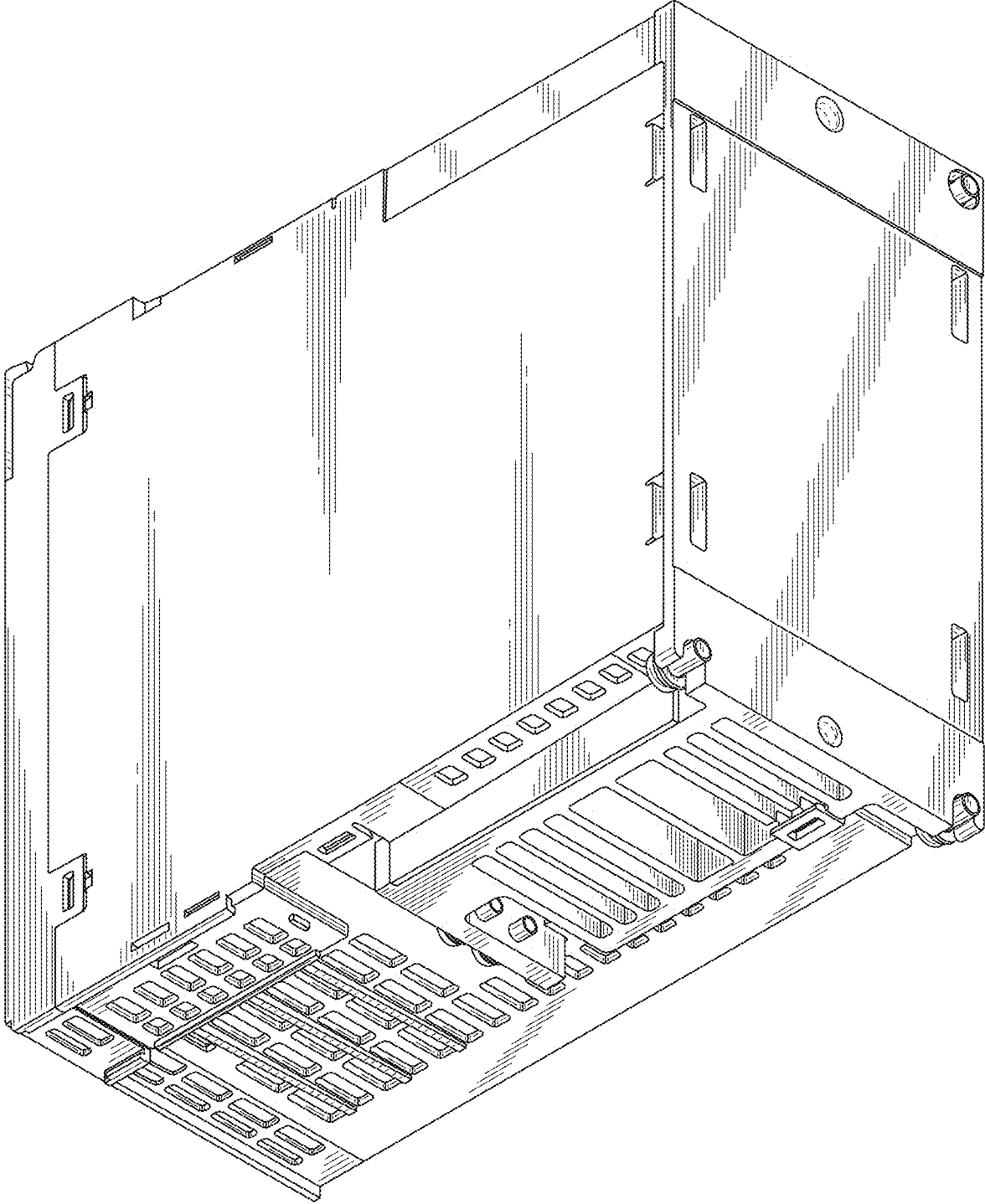


FIG. 3

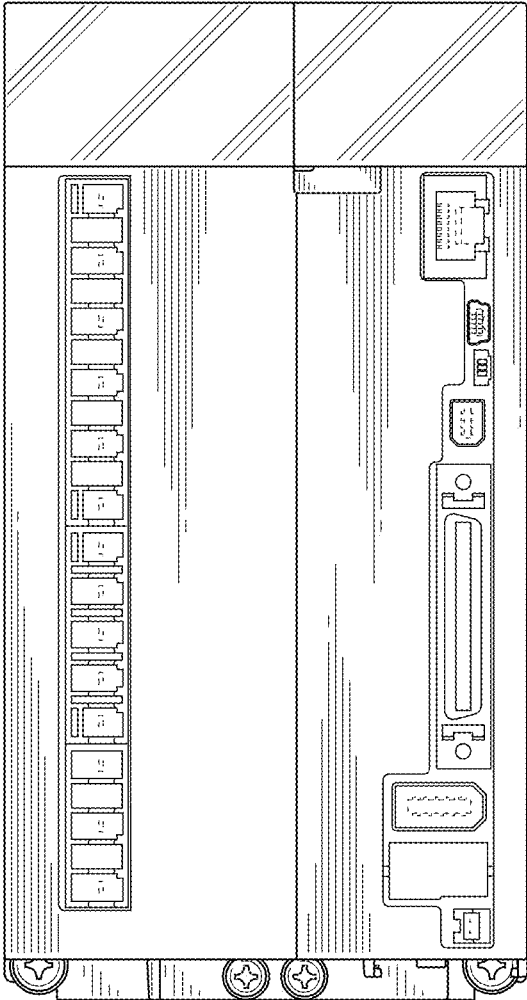


FIG. 4

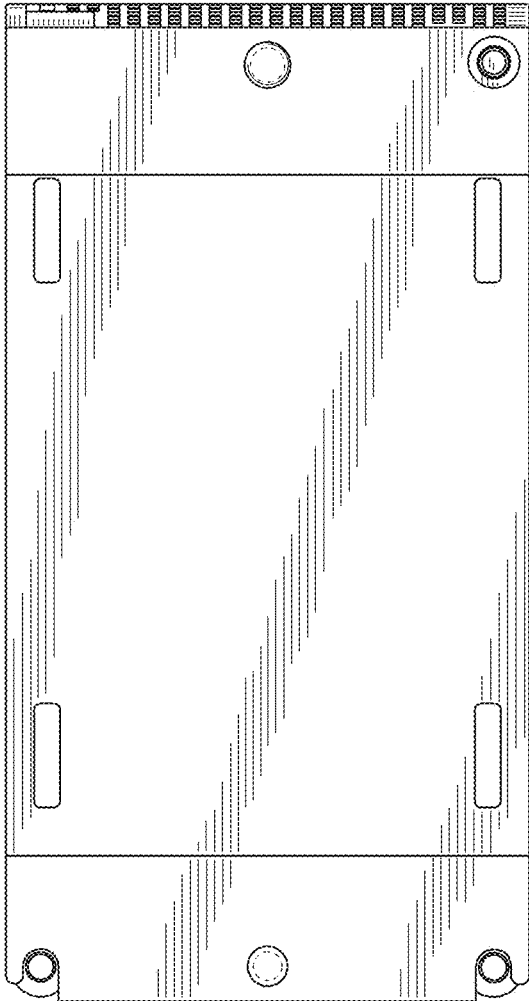


FIG. 5

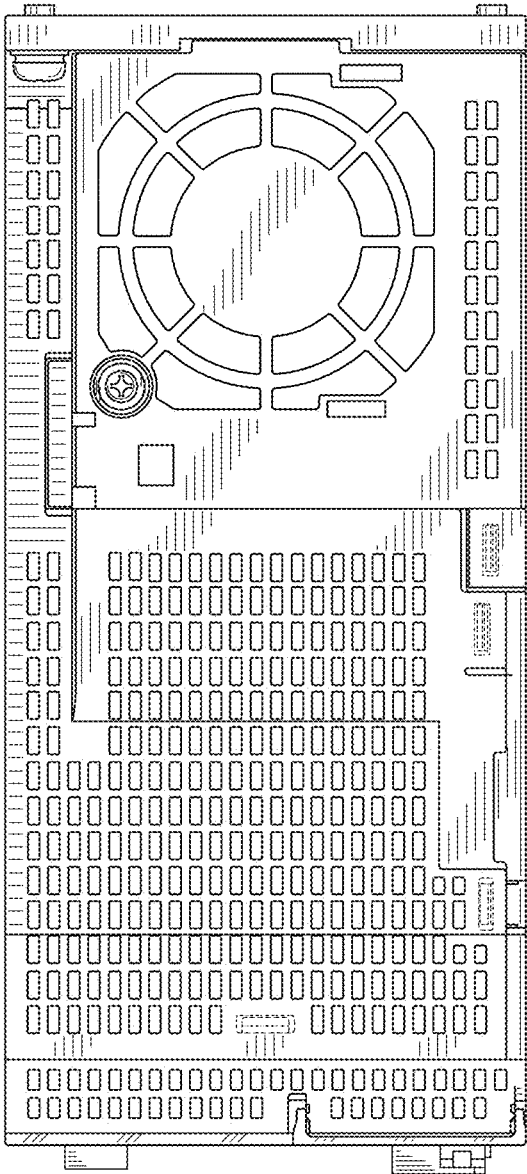


FIG. 6

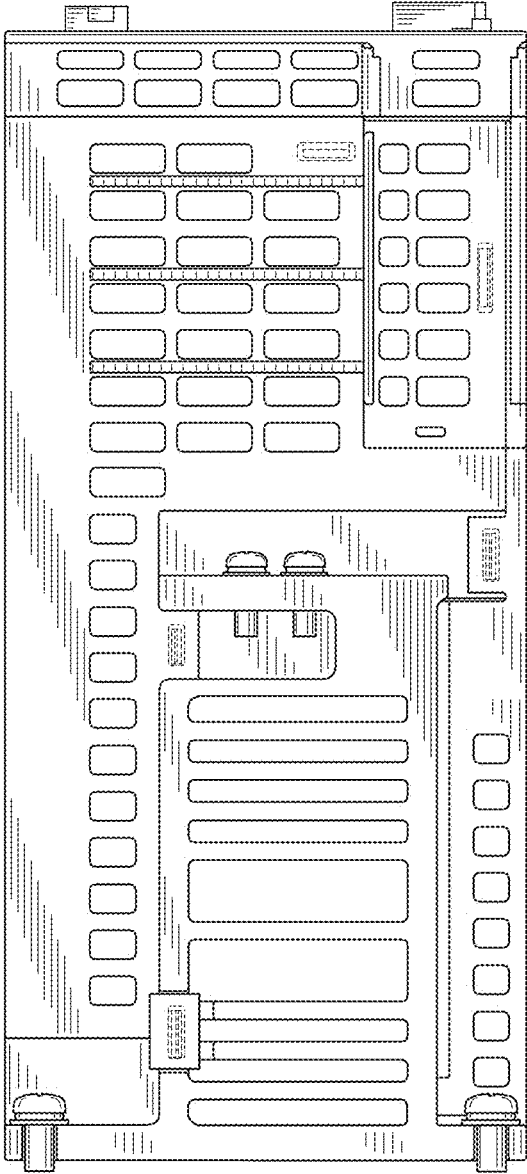


FIG. 7

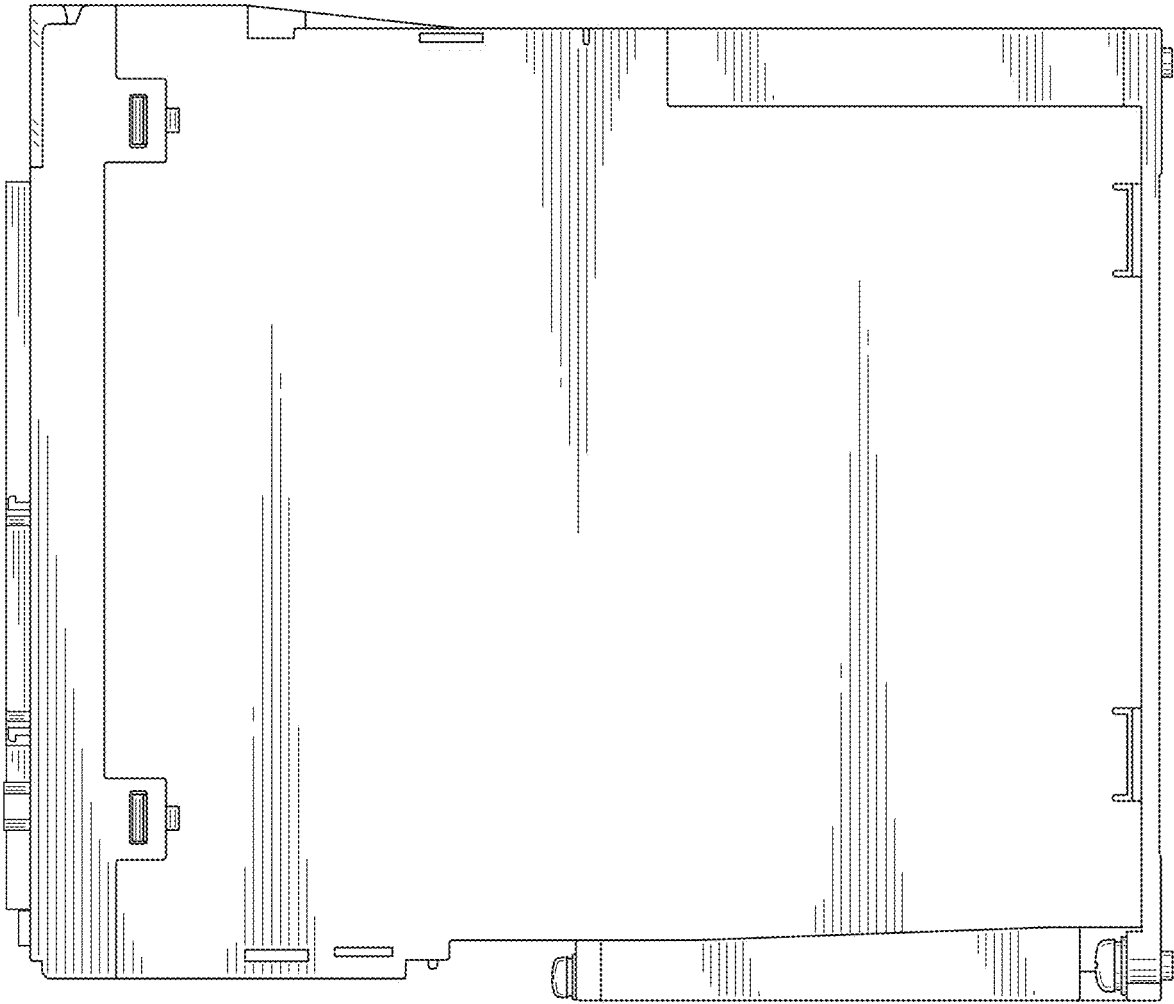


FIG. 8

