



US0D1046160S

(12) **United States Design Patent**
Matuschek et al.

(10) **Patent No.:** **US D1,046,160 S**
(45) **Date of Patent:** **** Oct. 8, 2024**

(54) **SURGICAL CONSOLE**
(71) Applicant: **Carl Zeiss Meditec AG**, Jena (DE)
(72) Inventors: **Walter Matuschek**, Aalen (DE);
Steffen Dambacher, Gauting (DE);
Dominik Hausen, Heidenheim (DE);
Christian Wolf, Aalen (DE)
(73) Assignee: **Carl Zeiss Meditec AG**, Jena (DE)
(**) Term: **15 Years**
(21) Appl. No.: **29/755,095**
(22) Filed: **Oct. 16, 2020**

D467,001 S * 12/2002 Buczek A61M 16/01
D24/172
D478,323 S 8/2003 Peterson et al.
D486,915 S * 2/2004 Warschewske D24/185
(Continued)

OTHER PUBLICATIONS

Zeiss Quatera 700. 2022. Site visited Nov. 17, 2022. [https://www.zeiss.com/meditec/en/products/phaco-vitrectomy-lensfragmentation/zeiss-quatera-700.html] (Year: 2022).*

(Continued)

Primary Examiner — Wendy L Arminio
Assistant Examiner — Maheen Khurshid
(74) *Attorney, Agent, or Firm* — Walter Ottesen, P.A.

(30) **Foreign Application Priority Data**
May 12, 2020 (EM) 007881859-0002
(51) **LOC (14) Cl.** **24-02**
(52) **U.S. Cl.**
USPC **D24/185**
(58) **Field of Classification Search**
USPC D24/107, 169, 183–187, 216–234;
D34/12, 19
CPC A61M 1/14; A61M 1/3621; A61M
2209/082; A61M 2209/084; A61M 1/28;
A61M 1/1658; A61M 1/1666; A61M
1/1696; A61B 6/4405; A61B 8/4405;
A61B 8/462; A61B 8/467; A61B 50/13;
A61G 12/001; F17D 3/00; G06F 3/0412
See application file for complete search history.

(57) **CLAIM**

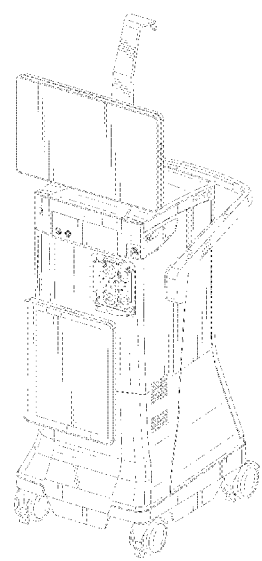
The ornamental design for a surgical console, as shown and described.

DESCRIPTION

FIG. 1 is a first perspective view of the surgical console of our new design;
FIG. 2 is a front elevation view of the surgical console of FIG. 1;
FIG. 3 is a right side elevation view of the surgical console of FIG. 1;
FIG. 4 is a left side elevation view of the surgical console of FIG. 1;
FIG. 5 is a top plan view of the surgical console of FIG. 1;
FIG. 6 is a rear elevation view of the surgical console of FIG. 1;
FIG. 7 is a bottom plan view of the surgical console of FIG. 1; and,
FIG. 8 is a second perspective view of the surgical console of FIG. 1.
The broken lines depict portions of the surgical console that form no part of the claimed design.

(56) **References Cited**
U.S. PATENT DOCUMENTS
4,625,731 A * 12/1986 Quedens A61B 8/462
600/443
5,074,651 A 12/1991 Nagamine
D352,106 S * 11/1994 Fanney D24/185
5,748,366 A 5/1998 Yasunaga et al.

1 Claim, 8 Drawing Sheets



(56)

References Cited

U.S. PATENT DOCUMENTS

6,705,474 B1 * 3/2004 Buczek A61B 50/20
 211/70.6
 6,899,307 B2 5/2005 Strauss et al.
 6,937,390 B2 8/2005 Akiyama et al.
 7,232,222 B2 6/2007 Kogawa et al.
 D623,209 S 9/2010 Matuschek et al.
 D623,210 S 9/2010 Matuschek et al.
 D634,344 S 3/2011 Nusser et al.
 D669,441 S 10/2012 Naef et al.
 D685,021 S 6/2013 Ridinger
 D692,562 S 10/2013 Naef et al.
 D692,563 S 10/2013 Naef et al.
 8,635,042 B2 1/2014 Ma et al.
 D708,593 S 7/2014 Lynn et al.
 D727,498 S 4/2015 Creed et al.
 D735,868 S * 8/2015 Mareguddi D24/185
 D743,036 S 11/2015 Boukhny et al.
 D743,558 S * 11/2015 Kim D24/186
 D758,465 S 6/2016 Matuschek et al.
 D804,673 S * 12/2017 Shin D24/186
 D852,962 S * 7/2019 Chang D24/185
 D855,190 S * 7/2019 Wu D24/185
 D871,588 S * 12/2019 Schultz D24/185
 D872,284 S * 1/2020 Köppel D24/185
 D873,416 S 1/2020 Koepfel et al.
 D884,191 S * 5/2020 Köppel D24/185

10,925,680 B2 2/2021 Jawidzik
 D911,982 S 3/2021 Colter et al.
 D932,630 S * 10/2021 Ruff D24/185
 2004/0036386 A1 2/2004 Olivera
 2008/0067046 A1 3/2008 Dacquay et al.
 2013/0169412 A1 7/2013 Roth
 2015/0051607 A1 2/2015 Hajishah et al.
 2021/0035747 A1 2/2021 Jawidzik

OTHER PUBLICATIONS

“Kinevo 900 von Zeiss”, Carl Zeiss Meditec AG Brochure, 2017, pp. 1 to 22.
 “Zeiss Opmi Lumera 700”, Carl Zeiss Meditec AG Brochure, 2014, pp. 3 to 12.
 “Opmi Pentero 800 from Zeiss”, Carl Zeiss Meditec AG Brochure, 2015, pp. 1 to 17.
 “Opmi Vario from Zeiss”, Carl Zeiss Meditec AG Brochure, 2014, pp. 1 to 12.
 U.S. Appl. No. 29/755,967, filed Oct. 23, 2020, Carl Zeiss Meditec AG, Michael Wamser Walter Matuschek Steffen Dambacher.
 U.S. Appl. No. 29/755,974, filed Oct. 23, 2020, Carl Zeiss Meditec AG, Michael Wamser Walter Matuschek Steffen Dambacher.
 U.S. Appl. No. 29/755,090, filed Oct. 16, 2020, Carl Zeiss Meditec AG, Walter Matuschek Steffen Dambacher Dominik Hausen Christian Wolf.

* cited by examiner

FIG. 1

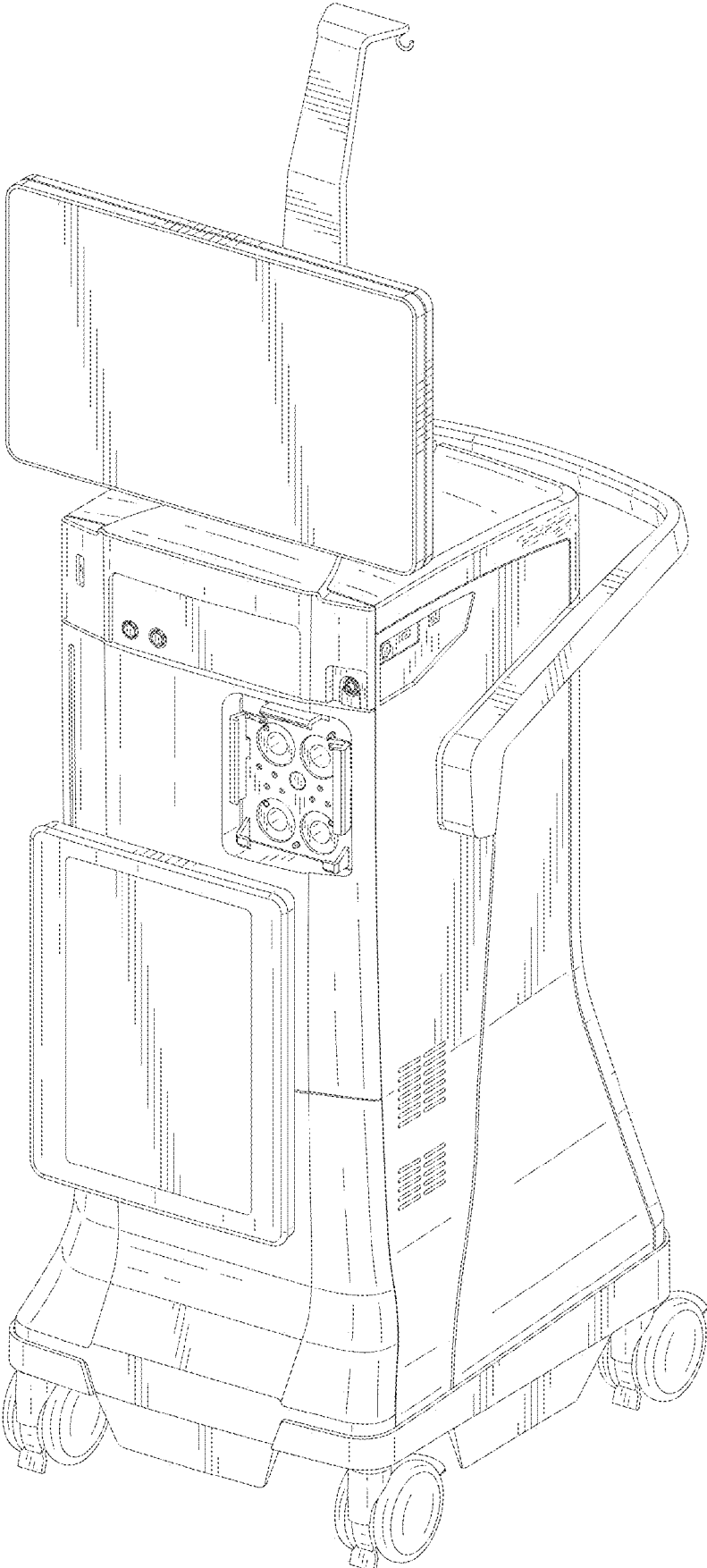
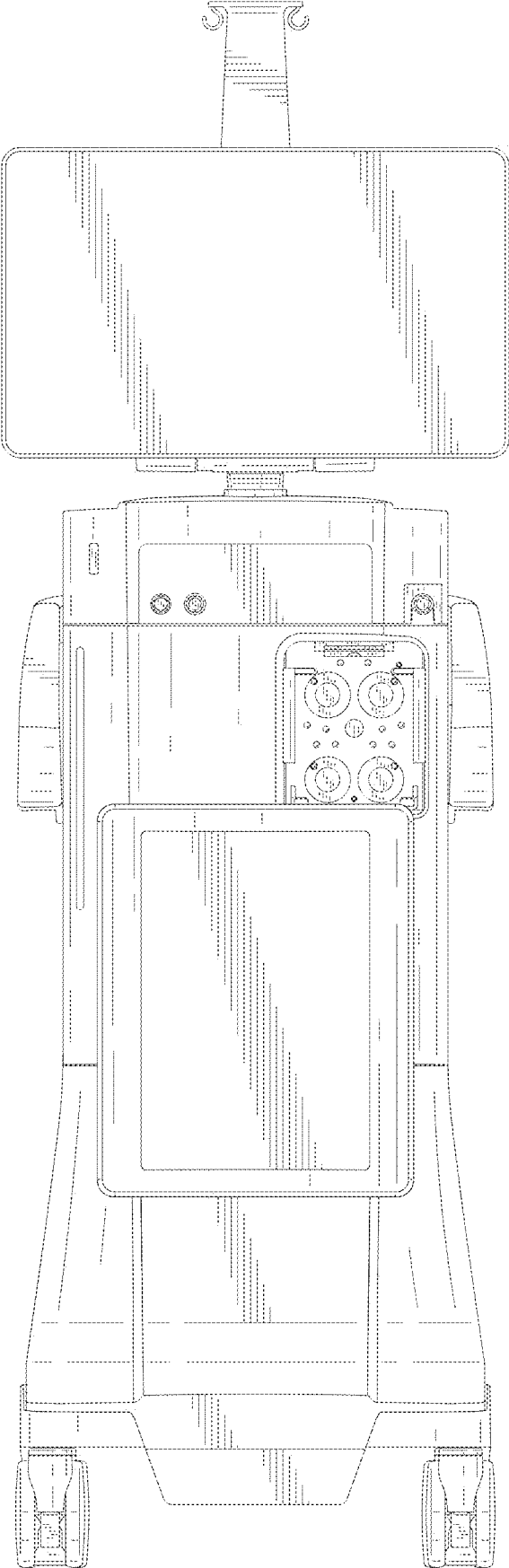


FIG. 2



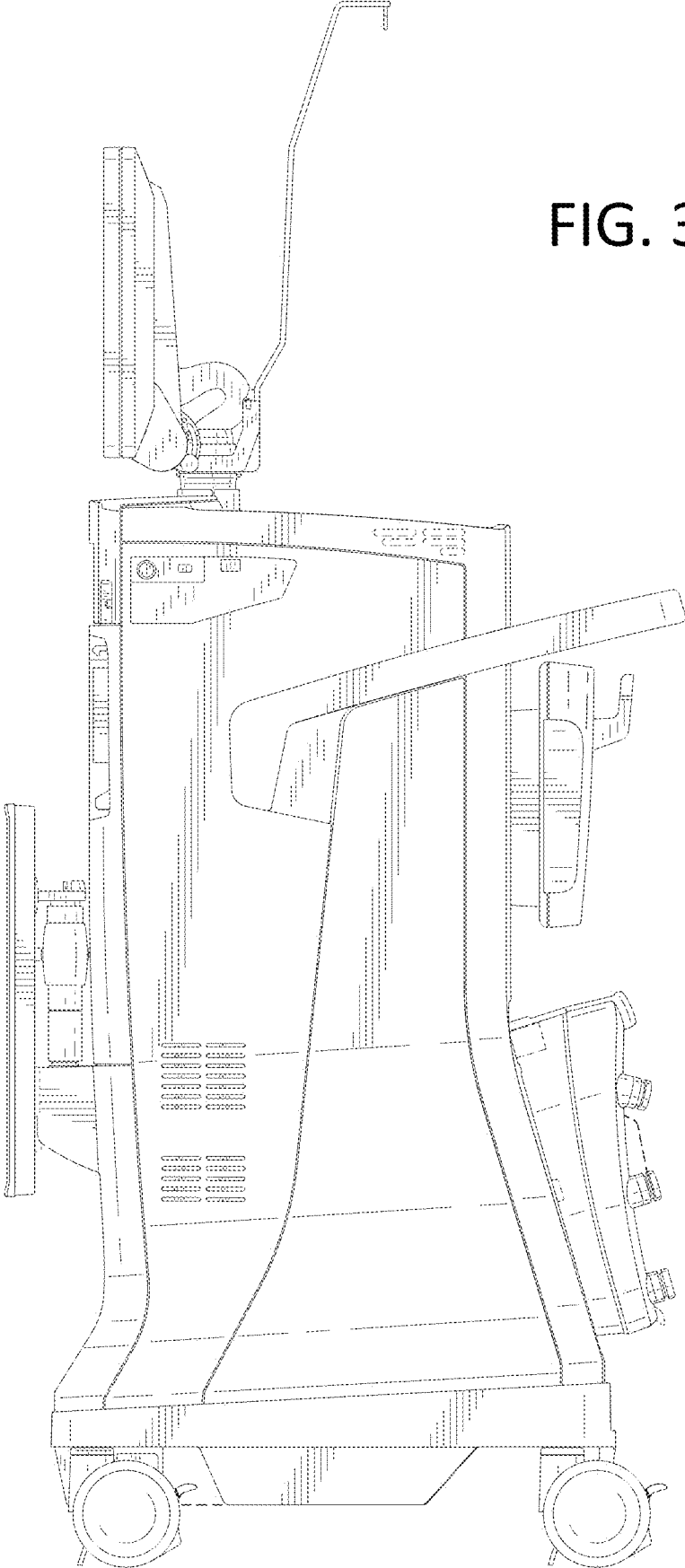
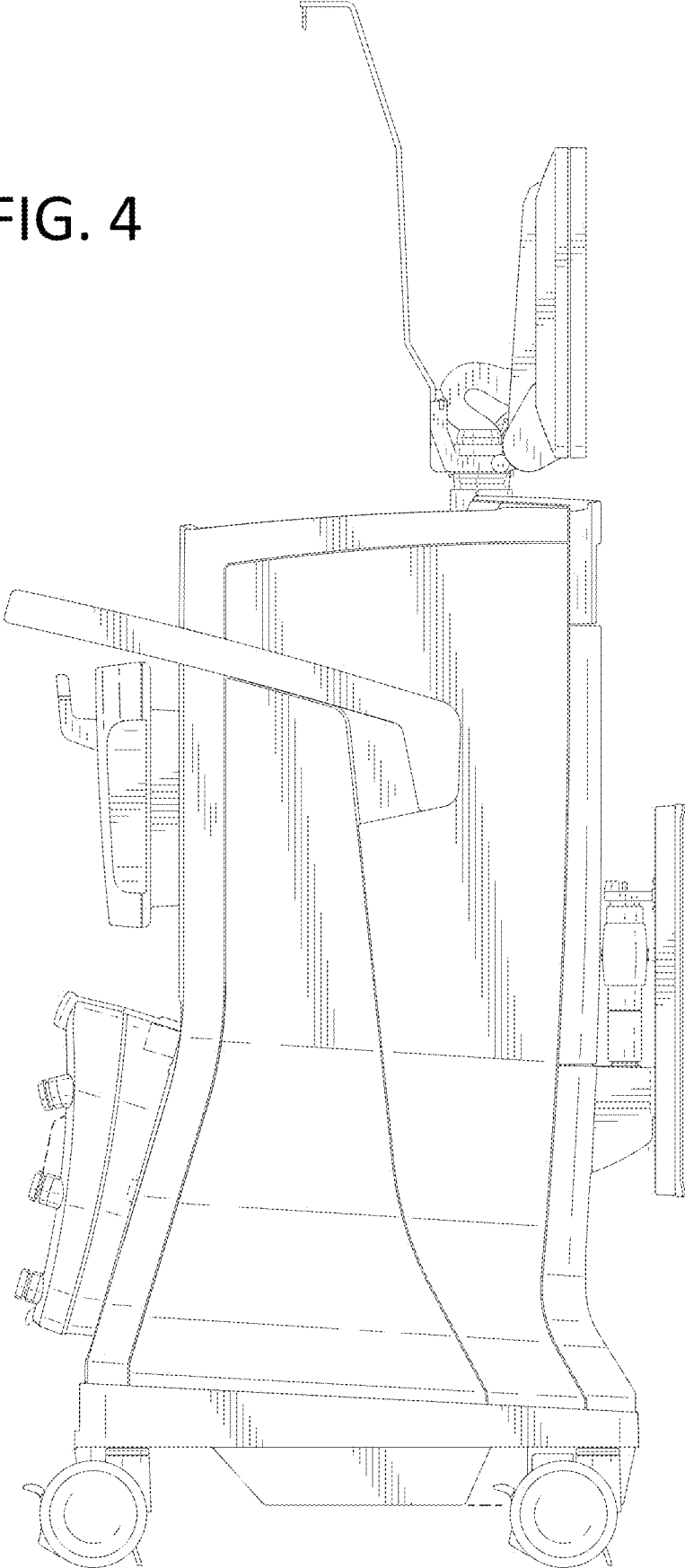


FIG. 3

FIG. 4



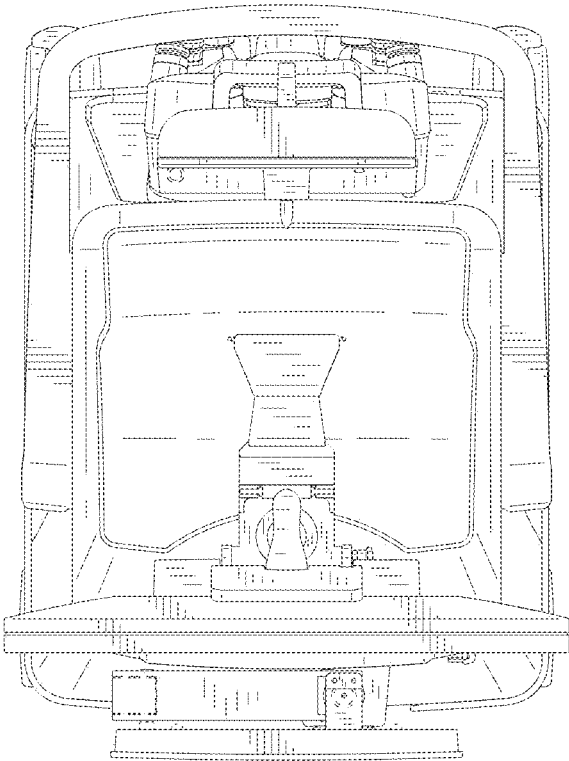
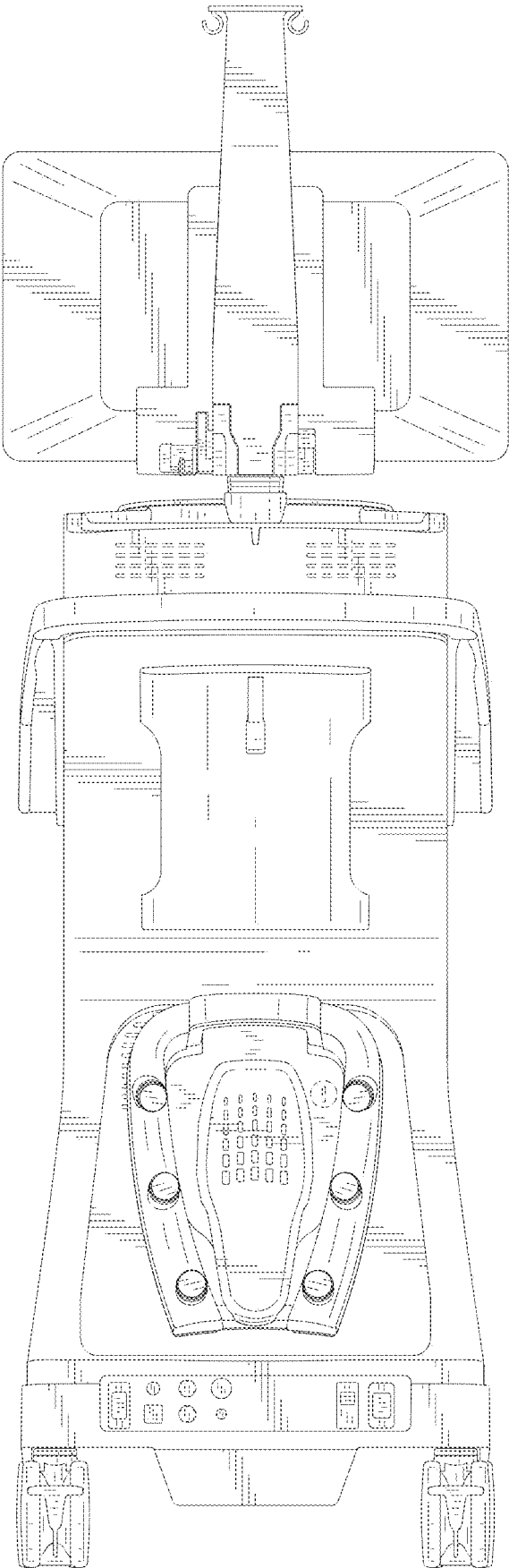


FIG. 5

FIG. 6



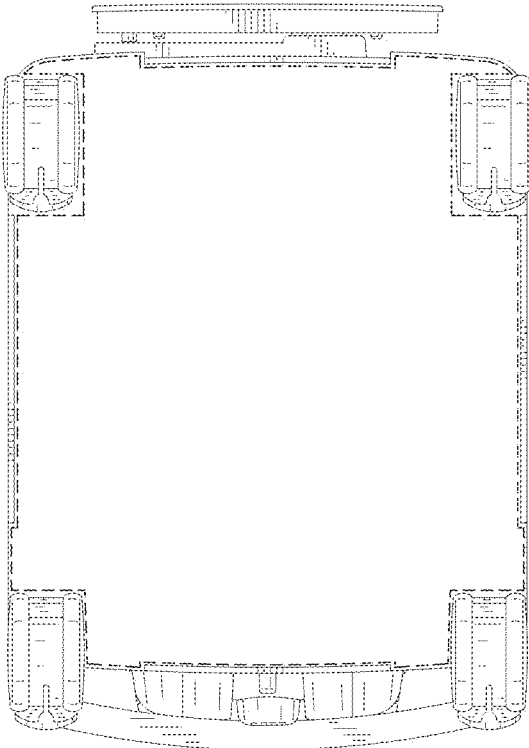


FIG. 7

FIG. 8

