

US00D392534S

United States Patent [19]

[11] Patent Number: Des. 392,534

Degen et al.

[45] Date of Patent: **Mar. 24, 1998

[54] DRILL STAND

[75] Inventors: **Klemens Degen, Weibern; Stefen Blank, Neuwied, both of Germany; Edmund Apolinski, Chicago; David R. Daniels, West Lake Villa, both of Ill.**

[73] Assignee: **Wolfcraft GmbH, Kempnich, Germany**

[**] Term: **14 Years**

[21] Appl. No.: **69,269**

[22] Filed: **Mar. 21, 1997**

[30] Foreign Application Priority Data

Sep. 23, 1996 [DE] Germany M 96 08 274.7

[51] LOC (6) Cl. **08-05**

[52] U.S. Cl. **D8/71; D15/132**

[58] Field of Search **D8/71; D15/132, D15/141; 408/16, 75, 76, 129, 234, 710, 712; 409/235**

[56] References Cited

U.S. PATENT DOCUMENTS

D. 344,438 2/1994 Wood D8/71

Primary Examiner—Antoine Duval Davis
Attorney, Agent, or Firm—Antonelli, Terry, Stout & Kraus, LLP

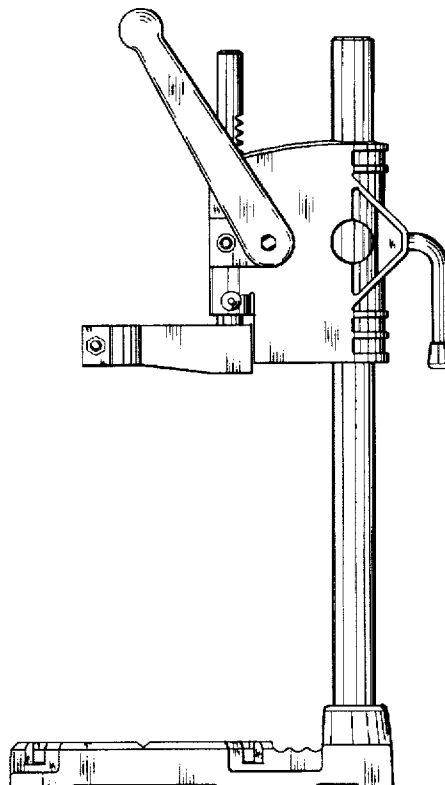
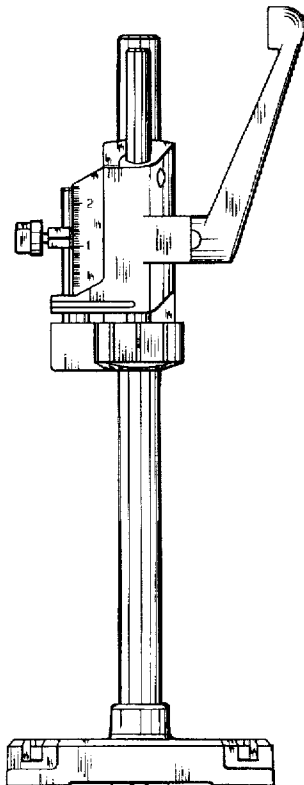
[57] CLAIM

The ornamental design for a drill stand, as shown.

DESCRIPTION

FIG. 1 is a front elevational view of a first embodiment of the drill stand showing our new design; FIG. 2 is a right side elevational view thereof; FIG. 3 is a left side elevational view thereof; FIG. 4 is a rear side elevational view thereof; FIG. 5 is a top plan view thereof; FIG. 6 is a bottom plan view thereof; FIG. 7 is a front elevational view of a second embodiment of the drill stand showing our new design; FIG. 8 is a right side elevational view thereof; FIG. 9 is a left side elevation view thereof; FIG. 10 is a rear side elevational view thereof; FIG. 11 is a top plan view thereof; FIG. 12 is a bottom plan view thereof; FIG. 13 is a front elevational view of a third embodiment of the drill stand showing our new design; FIG. 14 is a right side elevational view thereof; FIG. 15 is a left side elevational view thereof; FIG. 16 is a rear side elevational view thereof; FIG. 17 is a top plan view thereof; and, FIG. 18 is a bottom plan view thereof;

1 Claim, 9 Drawing Sheets



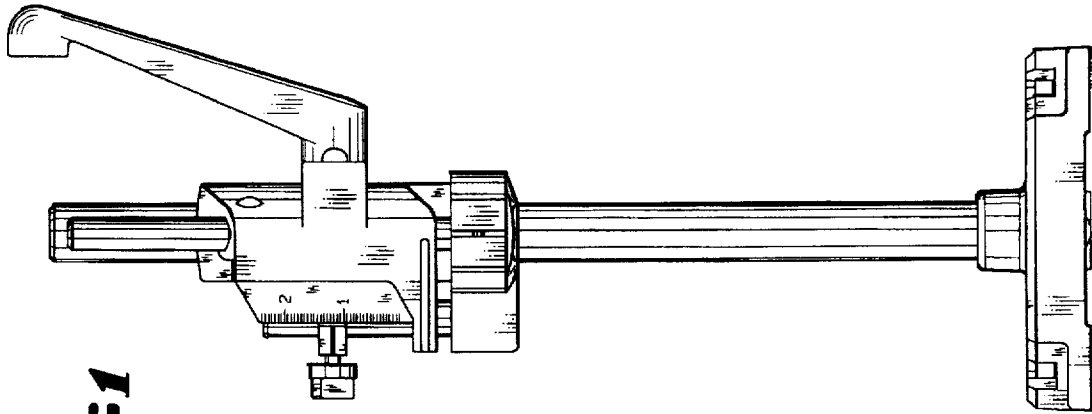


Fig. 1

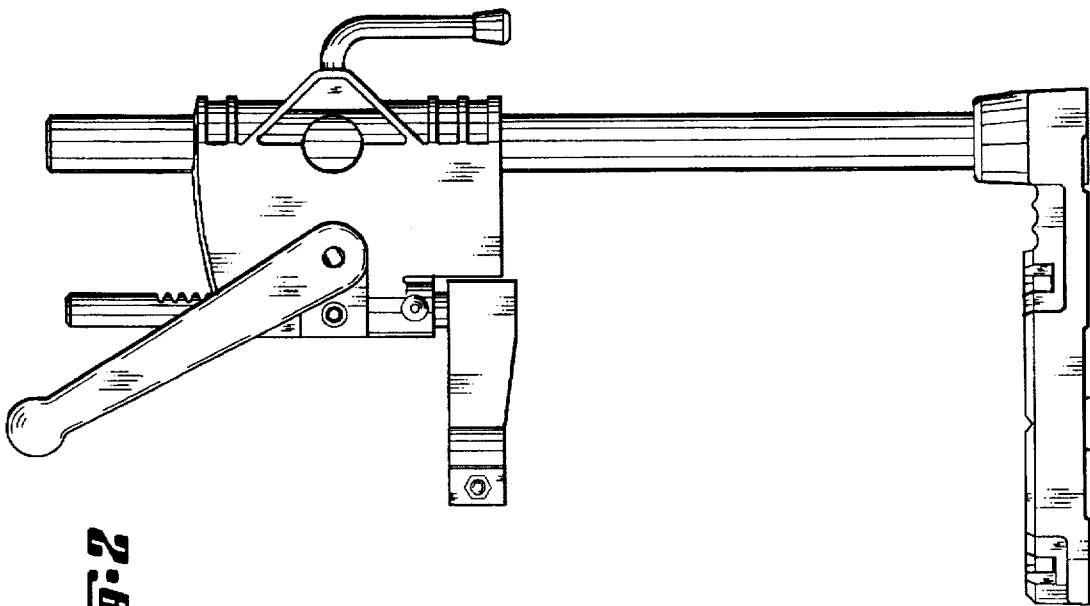


Fig. 2

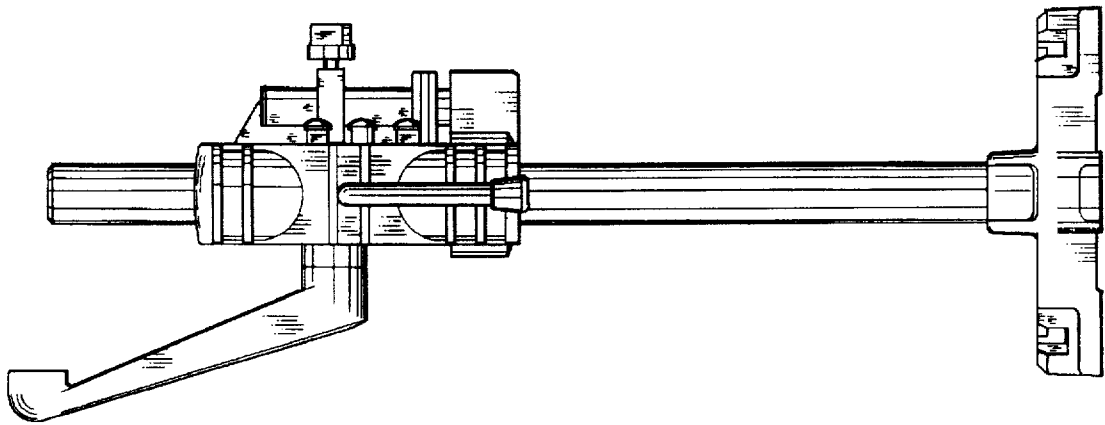


Fig. 4

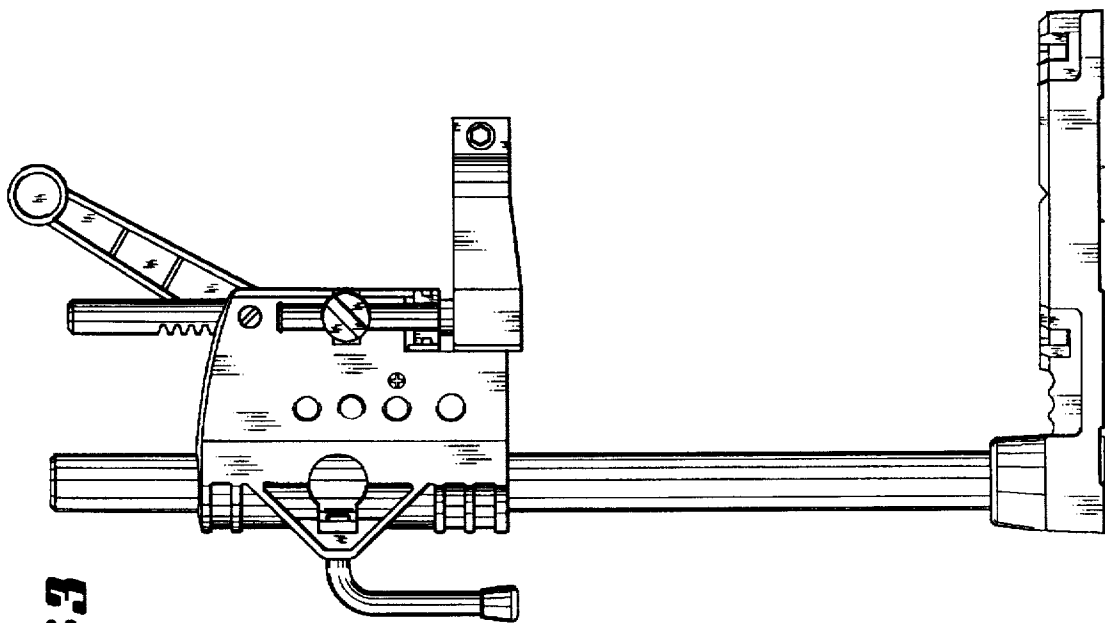


Fig. 3

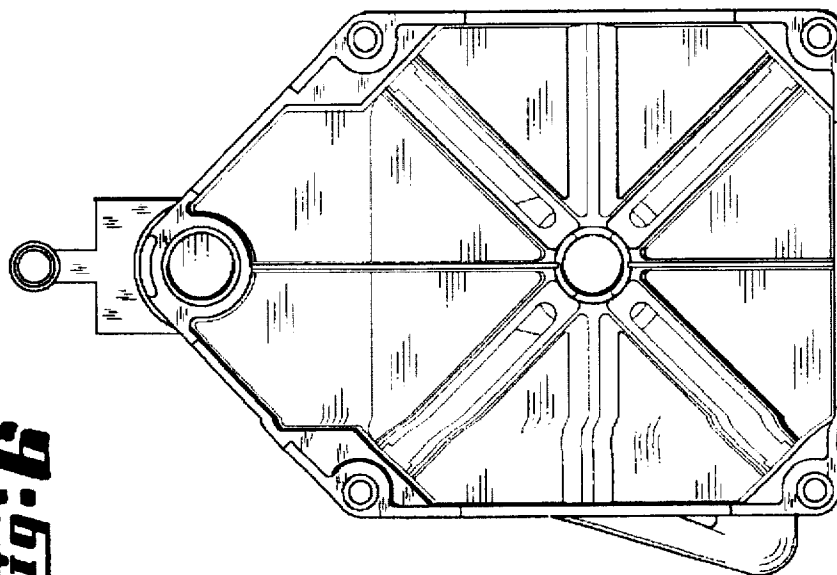


Fig. 6

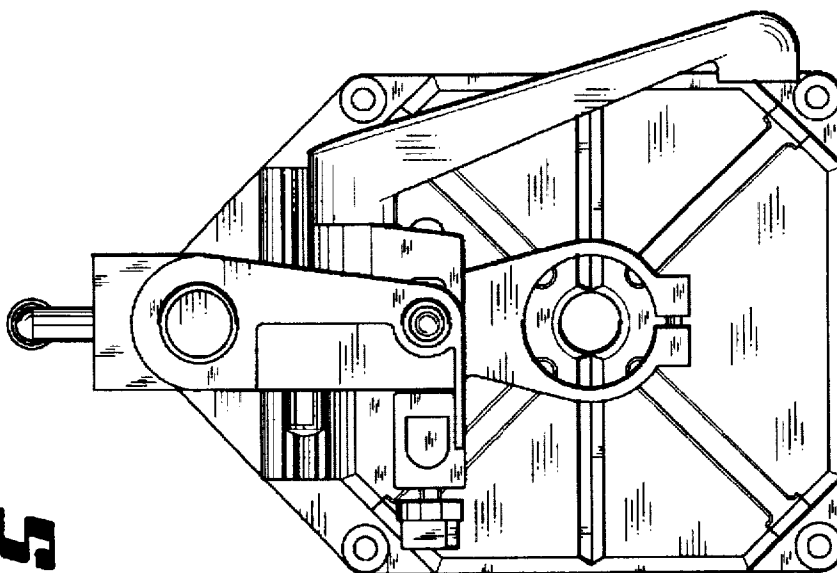


Fig. 5

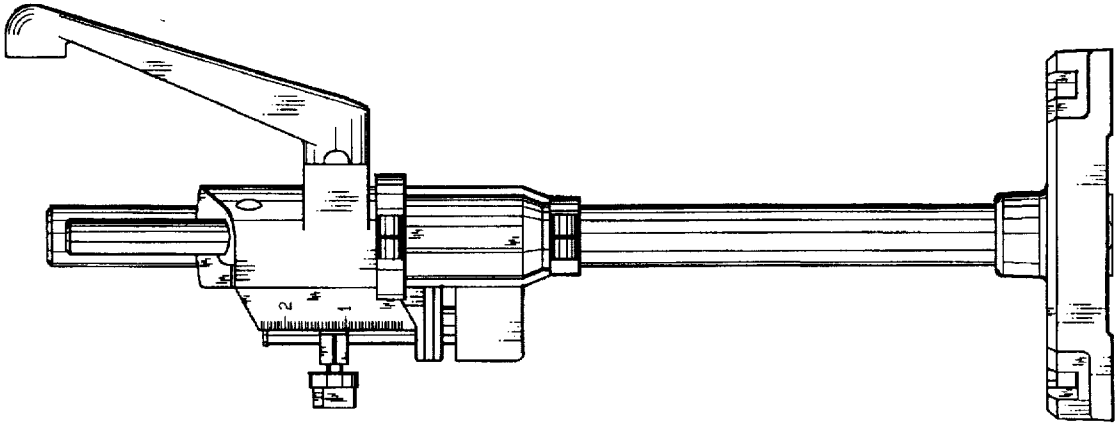


FIG. 7

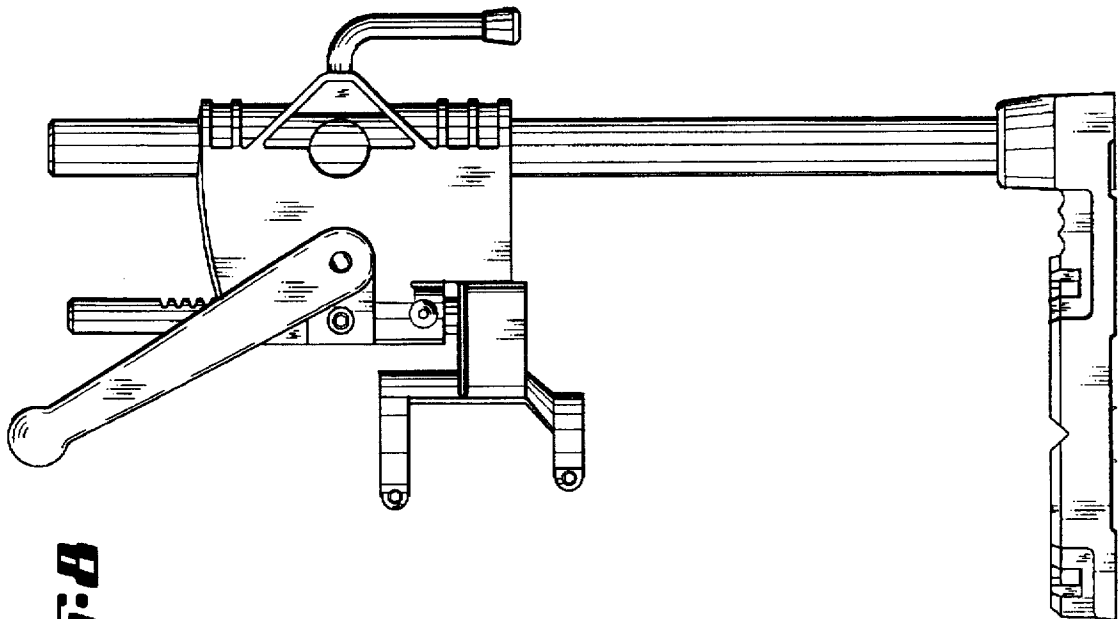


FIG. 8

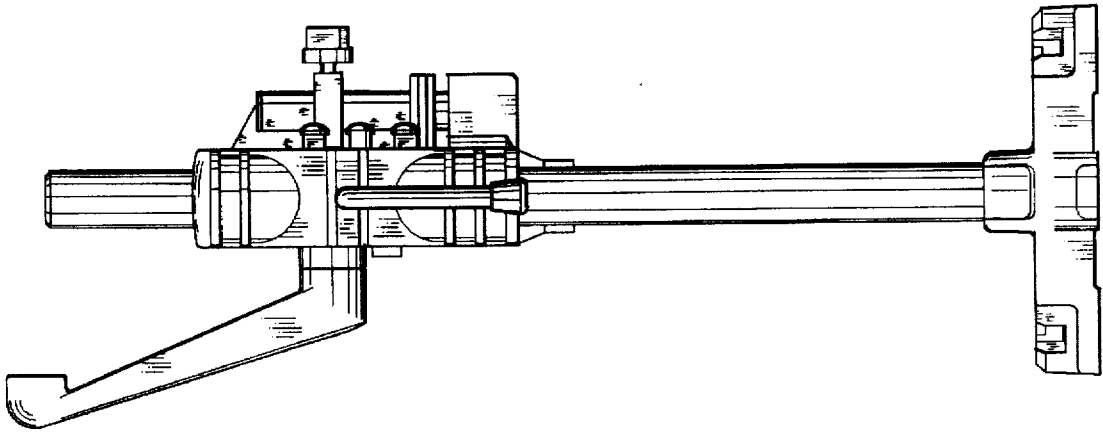


Fig. 10

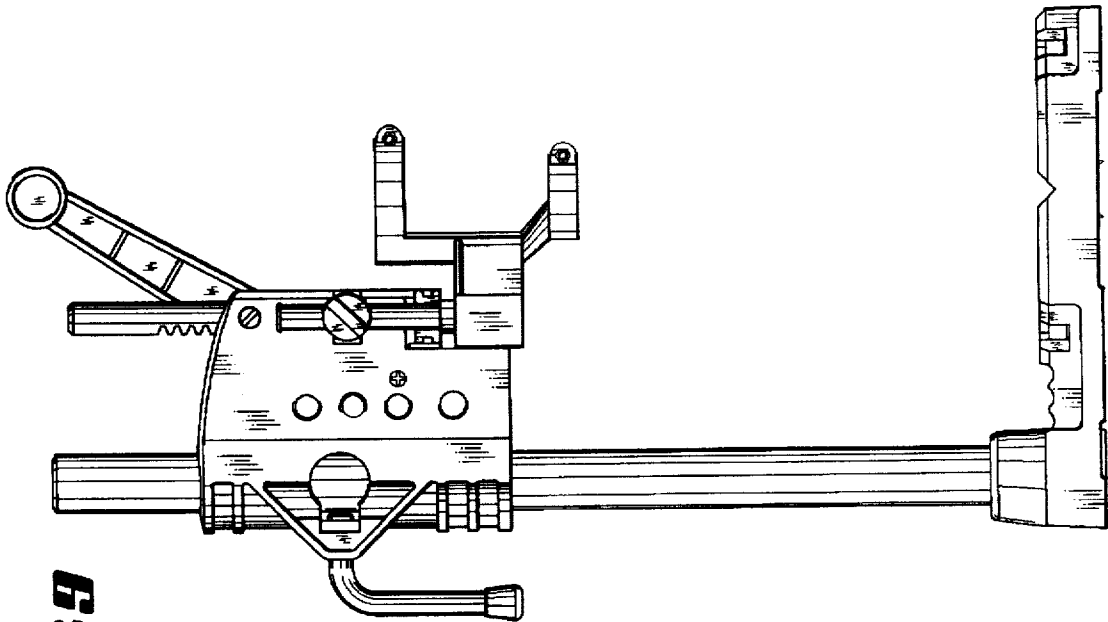


Fig. 9

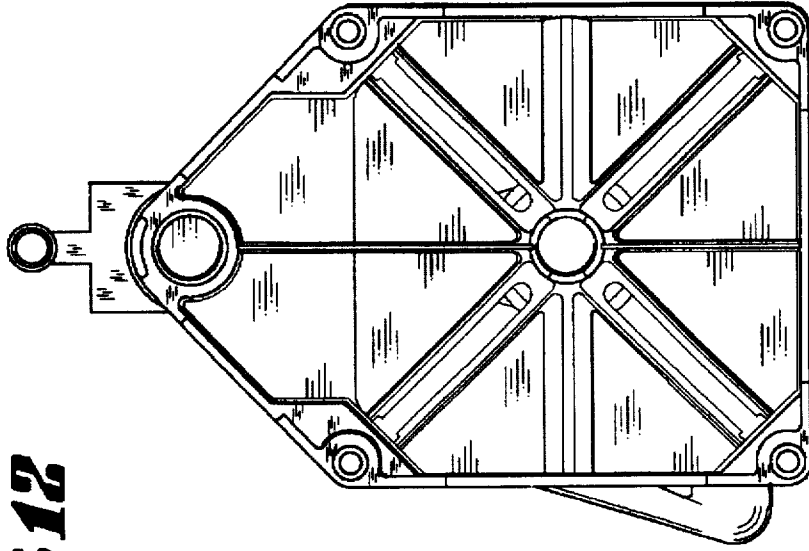


Fig. 12

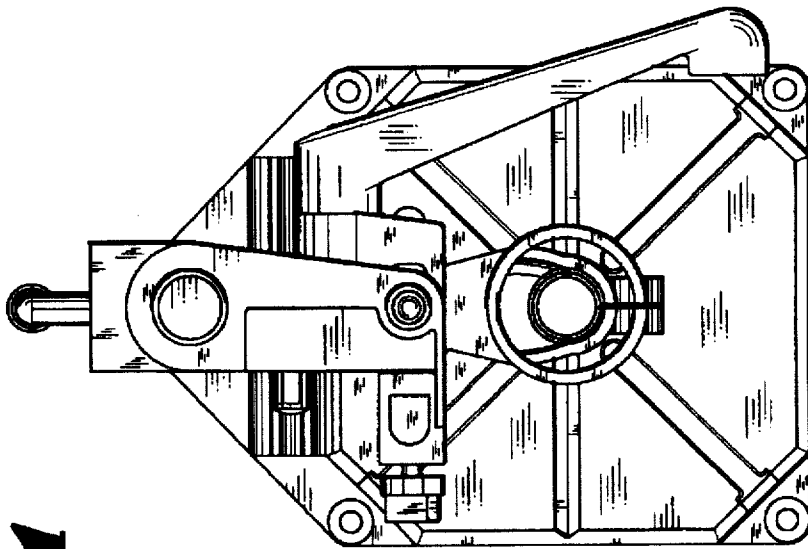


Fig. 11

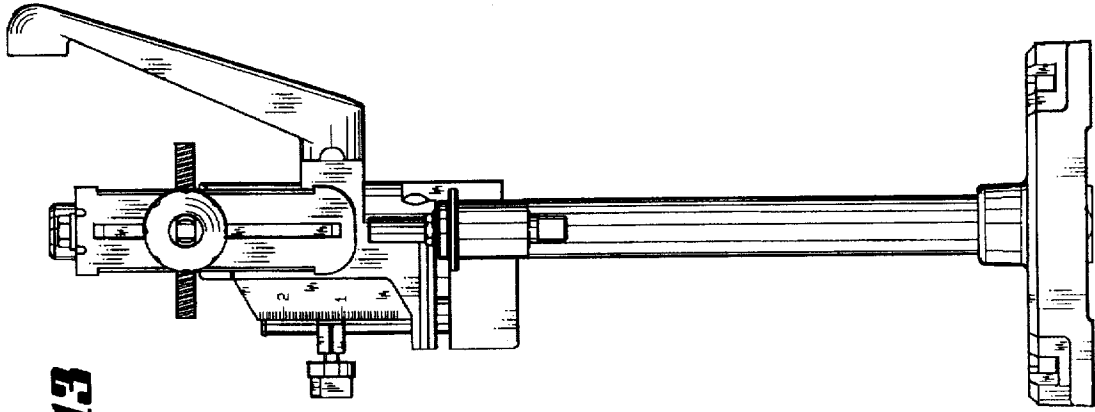


Fig. 13

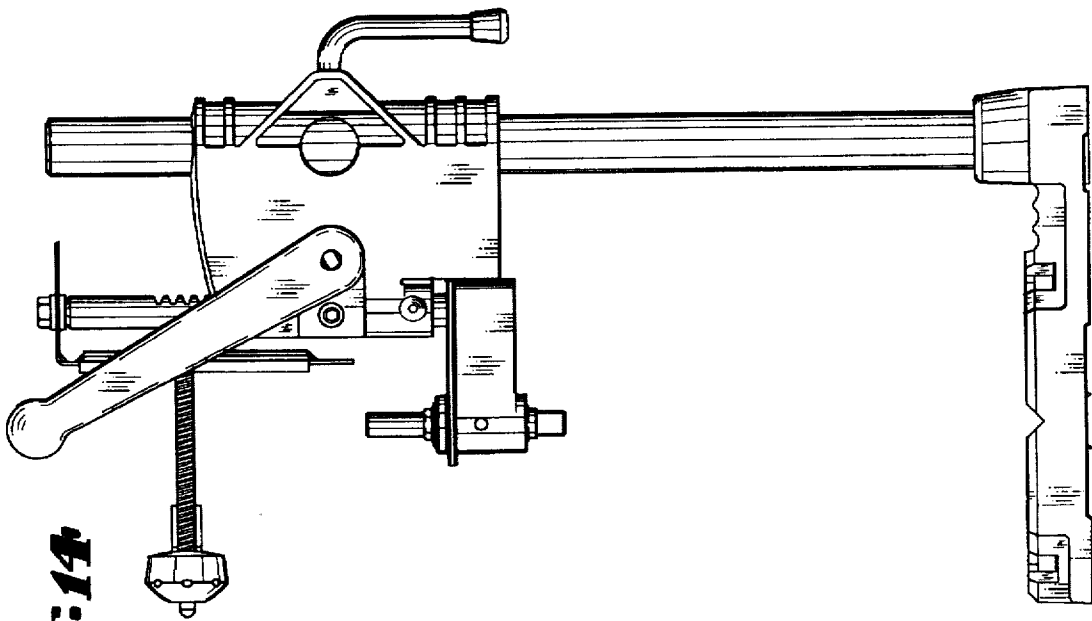


Fig. 14

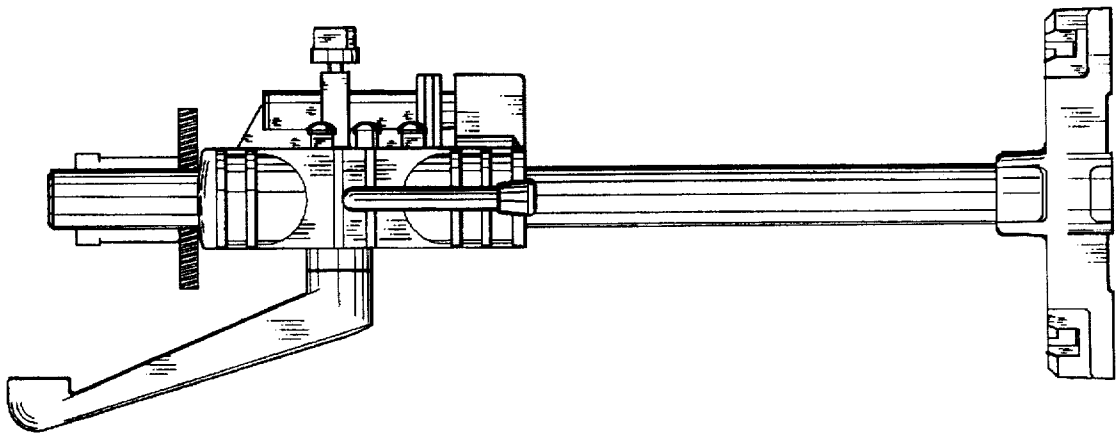


Fig. 16

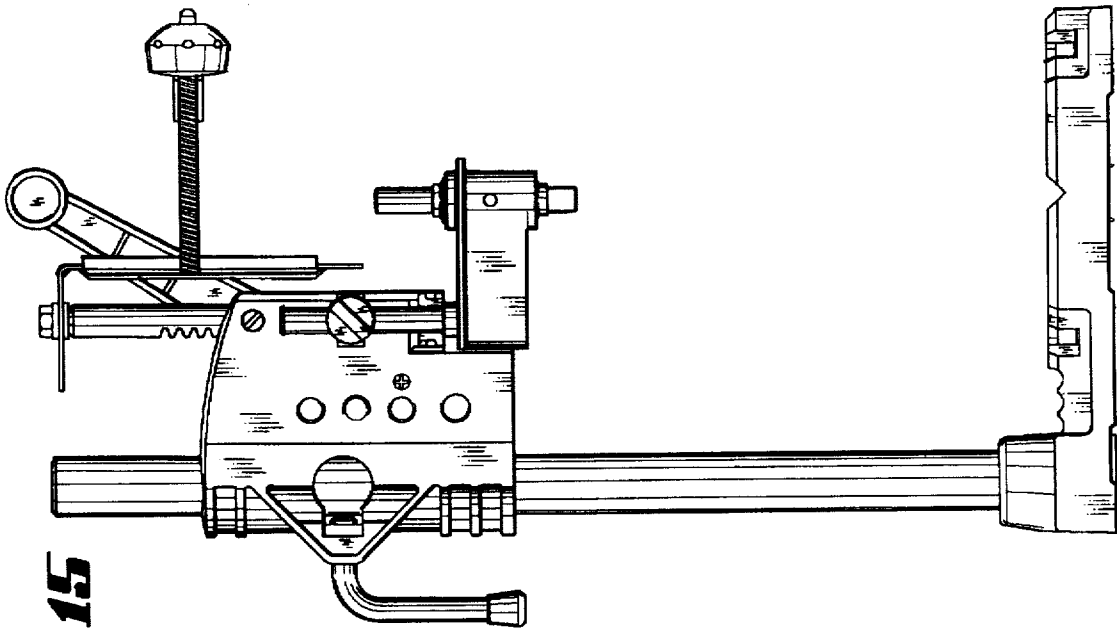


Fig. 15

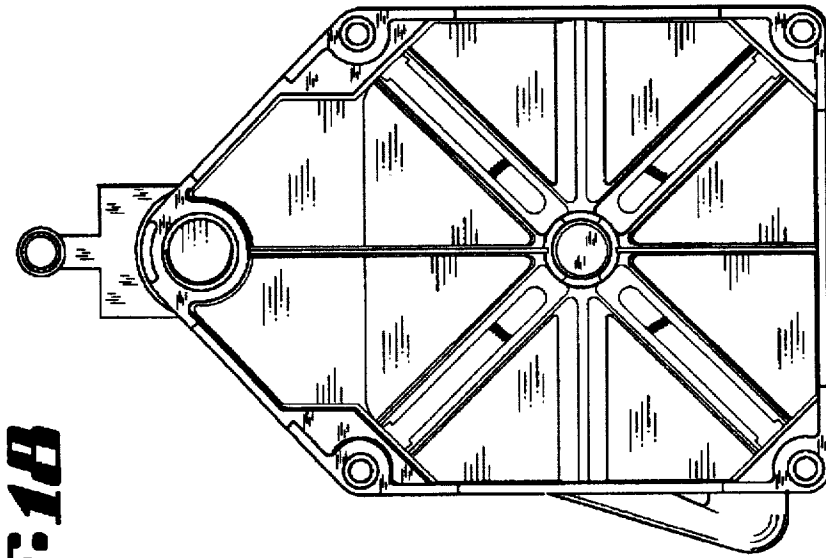


Fig. 18

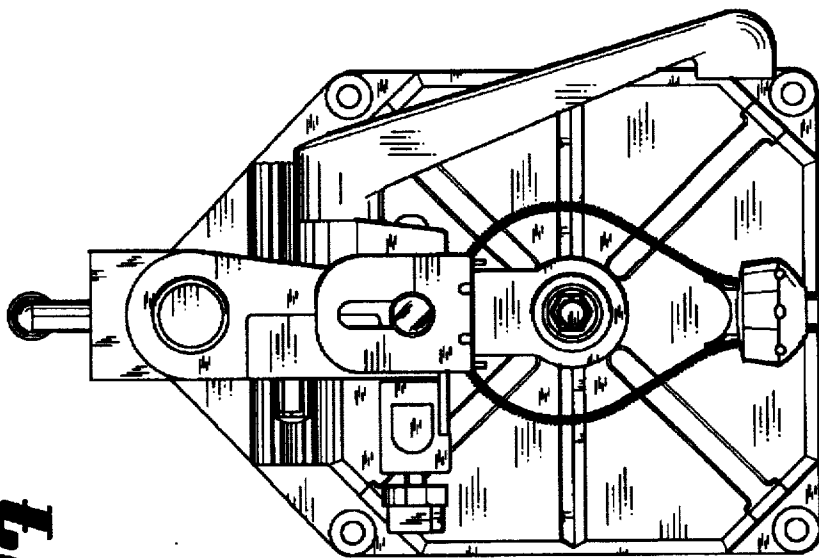


Fig. 17