

(19) World Intellectual Property Organization  
International Bureau



(43) International Publication Date  
12 April 2007 (12.04.2007)

PCT

(10) International Publication Number  
**WO 2007/041070 A3**

(51) International Patent Classification:  
A61B 5/05 (2006.01)

(21) International Application Number:  
PCT/US2006/037312

(22) International Filing Date:  
25 September 2006 (25.09.2006)

(25) Filing Language: English

(26) Publication Language: English

(30) Priority Data:  
11/240,259 30 September 2005 (30.09.2005) US

(71) Applicant (for all designated States except US): **AB-BOTT DIABETES CARE, INC.** [US/US]; 1360 South Loop Road, Alameda, CA 94502 (US).

(72) Inventor: **STAFFORD, Gary, Ashley**; 962 Hotel Avenue, Hayward, CA 94541 (US).

(74) Agent: **OH, Kuni**; JACKSON & CO., LLP, 6114 La Salle Ave., #507, Oakland, CA 94611-2802 (US).

(81) Designated States (unless otherwise indicated, for every kind of national protection available): AE, AG, AL, AM, AT, AU, AZ, BA, BB, BG, BR, BW, BY, BZ, CA, CH, CN,

CO, CR, CU, CZ, DE, DK, DM, DZ, EC, EE, EG, ES, FI, GB, GD, GE, GH, GM, HN, HR, HU, ID, IL, IN, IS, JP, KE, KG, KM, KN, KP, KR, KZ, LA, LC, LK, LR, LS, LT, LU, LV, LY, MA, MD, MG, MK, MN, MW, MX, MY, MZ, NA, NG, NI, NO, NZ, OM, PG, PH, PL, PT, RO, RS, RU, SC, SD, SE, SG, SK, SL, SM, SV, SY, TJ, TM, TN, TR, TT, TZ, UA, UG, US, UZ, VC, VN, ZA, ZM, ZW.

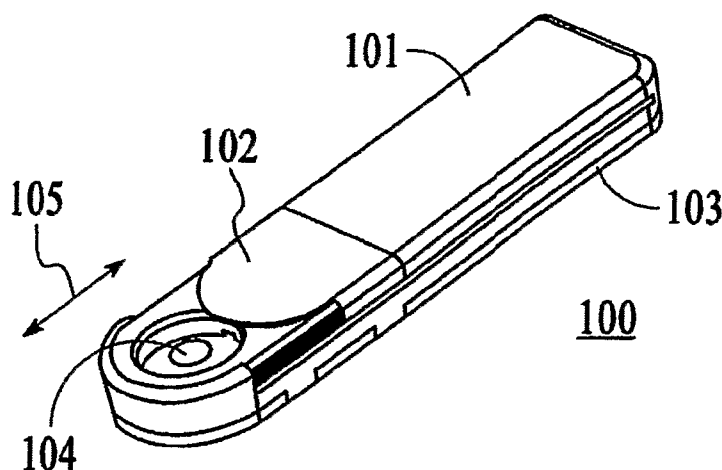
(84) Designated States (unless otherwise indicated, for every kind of regional protection available): ARIPO (BW, GH, GM, KE, LS, MW, MZ, NA, SD, SL, SZ, TZ, UG, ZM, ZW), Eurasian (AM, AZ, BY, KG, KZ, MD, RU, TJ, TM), European (AT, BE, BG, CH, CY, CZ, DE, DK, EE, ES, FI, FR, GB, GR, HU, IE, IS, IT, LT, LU, LV, MC, NL, PL, PT, RO, SE, SI, SK, TR), OAPI (BF, BJ, CF, CG, CI, CM, GA, GN, GQ, GW, ML, MR, NE, SN, TD, TG).

**Published:**  
— with international search report  
— before the expiration of the time limit for amending the claims and to be republished in the event of receipt of amendments

(88) Date of publication of the international search report:  
7 June 2007

For two-letter codes and other abbreviations, refer to the "Guidance Notes on Codes and Abbreviations" appearing at the beginning of each regular issue of the PCT Gazette.

(54) Title: INTEGRATED INTRODUCER AND TRANSMITTER ASSEMBLY AND METHODS OF USE



(57) Abstract: Method and apparatus for inserting at least a portion of a sensor into a patient is provided.

WO 2007/041070 A3

INTERNATIONAL SEARCH REPORT

International application No.

PCT/US 06/37312

A. CLASSIFICATION OF SUBJECT MATTER  
 IPC(8) - A61B 5/05 (2007.01)  
 USPC - 600/365  
 According to International Patent Classification (IPC) or to both national classification and IPC

B. FIELDS SEARCHED  
 Minimum documentation searched (classification system followed by classification symbols)  
 IPC(8) A61B 5/05 (2007.01)  
 USPC - 600/365; 422/62

Documentation searched other than minimum documentation to the extent that such documents are included in the fields searched

Electronic data base consulted during the international search (name of data base and, where practicable, search terms used)  
 PubWEST(USPT, PGPB, EPAB, JPAB); Google Scholar  
 Search Terms Used: sensor, glucose, insert or inserting or inserter, insertion, transmitter, skin, fluid

C. DOCUMENTS CONSIDERED TO BE RELEVANT

| Category* | Citation of document, with indication, where appropriate, of the relevant passages   | Relevant to claim No.    |
|-----------|--|--------------------------|
| X         | US 2005/0199494 A1 (SAY et al.) 15 September 2005 (15.09.2005), entire document especially FIG. 14 and 28A, para [0008]-[0011], [0056], [0223], [0230] | 1-20, 21a, 21b and 22-24 |

Further documents are listed in the continuation of Box C.

- \* Special categories of cited documents:
- "A" document defining the general state of the art which is not considered to be of particular relevance
  - "E" earlier application or patent but published on or after the international filing date
  - "L" document which may throw doubts on priority claim(s) or which is cited to establish the publication date of another citation or other special reason (as specified)
  - "O" document referring to an oral disclosure, use, exhibition or other means
  - "P" document published prior to the international filing date but later than the priority date claimed
  - "T" later document published after the international filing date or priority date and not in conflict with the application but cited to understand the principle or theory underlying the invention
  - "X" document of particular relevance; the claimed invention cannot be considered novel or cannot be considered to involve an inventive step when the document is taken alone
  - "Y" document of particular relevance; the claimed invention cannot be considered to involve an inventive step when the document is combined with one or more other such documents, such combination being obvious to a person skilled in the art
  - "&" document member of the same patent family

|  |  |
|--|--|
| Date of the actual completion of the international search<br>26 February 2007 (26.02.2007) | Date of mailing of the international search report<br><b>17 APR 2007</b> |
|--|--|

|   |  |
|---|--|
| Name and mailing address of the ISA/US<br>Mail Stop PCT, Attn: ISA/US, Commissioner for Patents<br>P.O. Box 1450, Alexandria, Virginia 22313-1450<br>Facsimile No. 571-273-3201 | Authorized officer:<br>Lee W. Young<br>PCT Helpdesk: 571-272-4300<br>PCT OSP: 571-272-7774 |
|---|--|