

(19) (KR)
(12) (A)

(51) 。 Int. Cl.7
H04N 7/26
H04N 7/24

(11)
(43)

10-2004-0106383
2004 12 17

(21) 10-2004-7017100

(22) 2004 10 22

2004 10 22

(86) PCT/IB2003/001564

(87)

WO 2003/092294

(86) 2003 04 16

(87)

2003 11 06

(30) 02/05087

2002 04 23

(FR)

(71)

, , . . 1

(72)

F-75008

156

F-75008

156

(74)

:

(54)

(30)

(Lj,Lk)

(Bj,Bk)

(31)

(Sjk)

(32)

(34)

(S'jk)

(33)

n) (homogeneous regio
(32)

s) 가 (visual artefacts) (personal digital assistant
H,26L

networks) 가 가 (mobile MPEG-4 H.26L (discret block transformation)

(uniform and moderately contrasted areas) (AvgL) (function)
1 L
가 0 Lmax=255
, 70 (L0) 1 2 (L0) (f)
(A generalized block-edge impairment metric for video co
ding)' H.R Wu M.Yuen 1997 11 IEEE (Signal Processing Letters)
(suppress) 가

WO 2001/58169(PHFR000011) 가

가 가 ,가 가 (block artefacts) 가 (totally random character)

가 1 가 , 16 가 4

가

5 가 16 4

가

(measure)

()

(viewer)

- 1
- 2
- 3
- 4
- 5
- 6
- 7
- 8
- 9
- 10

smoothing filters)

4

(s

가

H.26L

, MPEG-

4 , JPEG (fixed i
 mage)

4 H.26L 4
 H.26L
 DCT(Discrete Cosine Transform) (blocking effect) (A)
 (false)

2 (L) 가 (Bj Bk) (Lj Lk)
 가

3 (Im)
 (Lj Lk)
 (Bj Bk) HBD(31),

Lj = Lk ± 1 Lj = Lk ± 2
 CAD(32) 2 2 4 (Sjk) CAD
 (32)

(L'1 L'4) (S'jk) RPL(33
 L'4 (M) PAT(34) 가 L'1
 M=(L'1 + L'2 + L'3 + L'4) / 4 = (Lj + Lk) / 2
 (L'1 L'4) (Lj Lk)
 (overlapping) (S'jk) 가 , H
 .26L 4 가

4 가 , 4
 1 L 5 4 (41 44)
 5 (45)

1 2 (tune out)
 가

5
 02 00487
 (Im) (Im) (DM) 가 DEGR(51)
 (DM)

(Im) (DM) (Bj, Bk) DEC(52)가 DM 가

(Bj, Bk) 가 (DM) 1.5 (y)

가 (n)

가 DEGR(51) DEC(52) (Im) CLASS(53) (bl
 ock by block) CLASS(53) (C11, C14)

(B) (C11) ∴

$m_1 - m_2 < S,$

$m_1 = \max \{ a_{pq} \}_{p=1 \dots p-2, q=1 \dots Q-2}, m_2 = \min \{ a_{pq} \}_{p=1 \dots p-2, q=1 \dots Q-2}$

(B) (SB) (a_{pq}) , m2 - (SB) (a_{pq}) , S 6 - (, 3

(B) (p) (SB) p=1 p-2 (C12) :

$m_1 - m_2 < S,$

$m_1 = \max \{ a_{pq} \}_{q=1 \dots Q-2}, m_2 = \min \{ a_{pq} \}_{q=1 \dots Q-2}$

(SB) (p) (a_{pq}) , m2 - (SB) (p) (a_{pq})

(B) q (SB) q=1 Q-2 (C13) :

$m_1 - m_2 < S,$

$m_1 = \max \{ a_{pq} \}_{p=1 \dots p-2}, m_2 = \min \{ a_{pq} \}_{p=1 \dots p-2}$

(SB) (q) (a_{pq}) , m2 - (SB) (q) (a_{pq})

(B) (hatched class)(C14)

(C1m, C1n) (Bj, Bk) SEL(54)

(FI) 7 (Im) (DM) (C1m, C1n)

MOD(55) , F0

(Bj, Bk) (FI) (B'j, B'k)

(56) (vertical direction) , 4 (F1 F4) 8

(B'j, B'k) , 3 (30)가 가

(ImF) (Im)

9

(quantified data) ES 가 VLD(9)

1) , IQ(92) ,

- , IDCT(inverse discrete cosine transform)(9

3) MEM(95) (data-block-by-data block) COR(96)

REC(94) DIS(97)

10 (IN)

(100) , (DCT)(101)

- , Q(102) ,

- (ES) , 가 VLC(103)

- , (IQ)(104) ,

- , (IDCT)(105) ,

- (IDCT) (MC)(106) 가 (adder) ,

- (MEM)(108) 가 (COR)(107) ,

- (ME)(109) (MC)(106)

- (MEM)(108) ,

- 가 (IN) (DCT)

(COR)(107) 가 (IDCT)(105) 가

combination) 9 , 10 9 (cascade

10

가

3 5

(data carrier)

가

(fashion)

(57)

1.

(30)

(Lj,Lk)

(Bj,Bk)

(homogeneous region)

(31)

(Sjk)

(32)

(S'jk)

(33)

(34)

2.

(overlapping)

3.

4.

1

3

5.

1

3

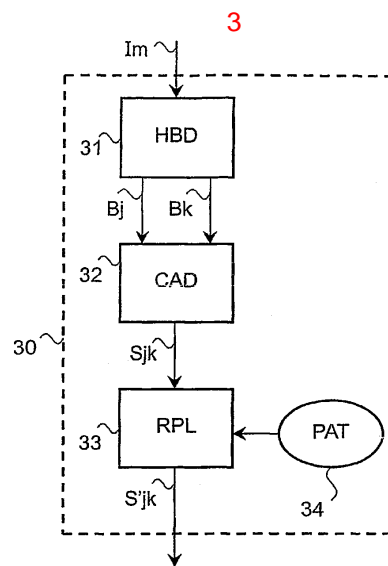
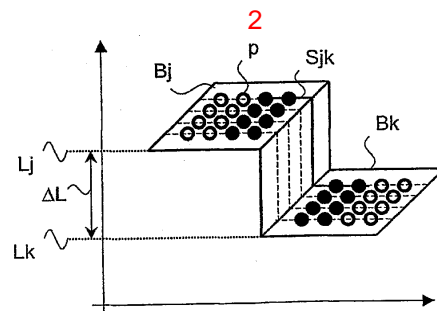
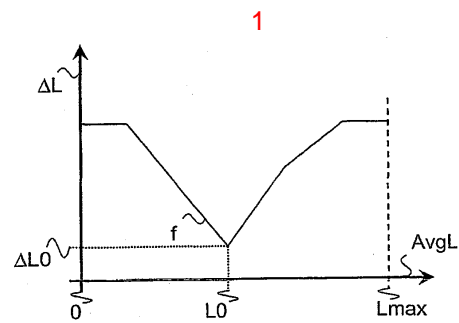
6.

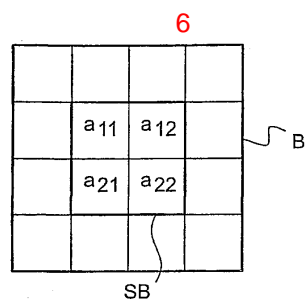
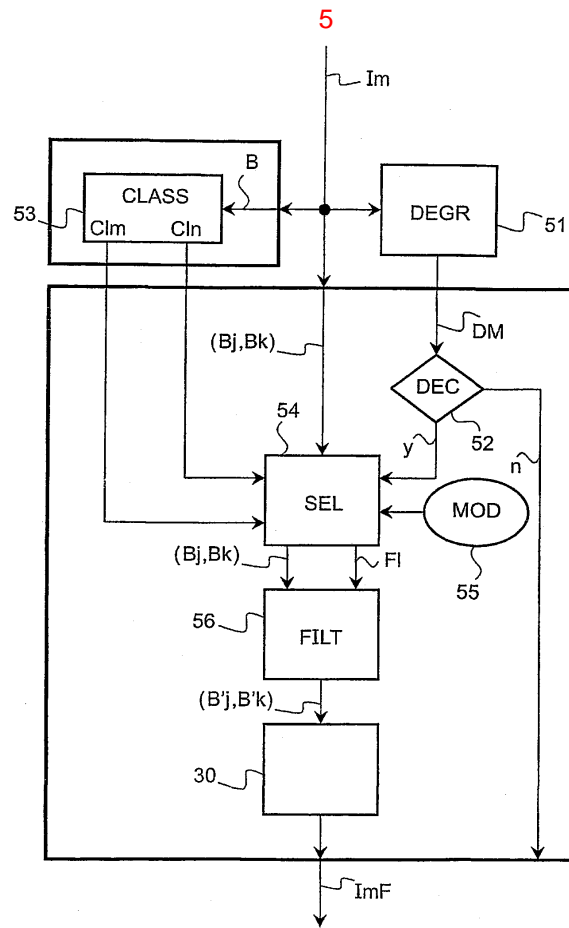
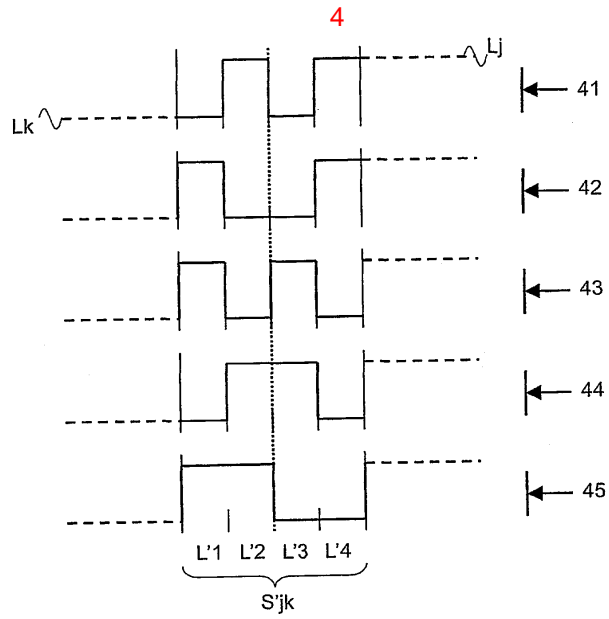
1

3

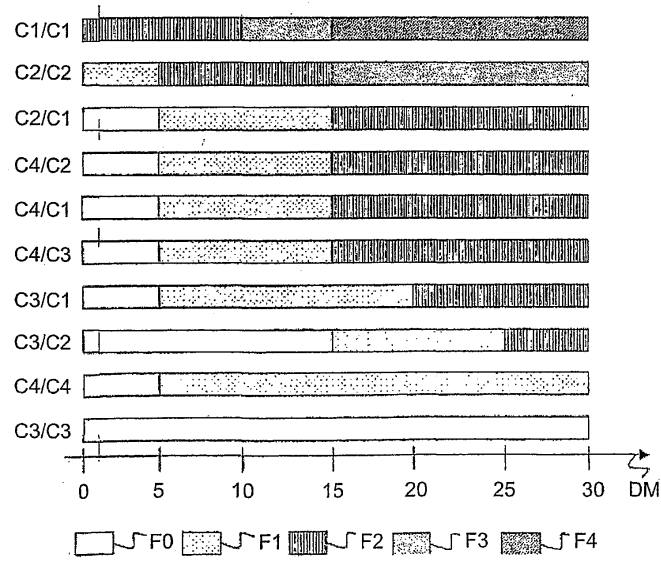
7.

1 3 가
 8. , 가 (appliance)
 7 가
 9. 1 3

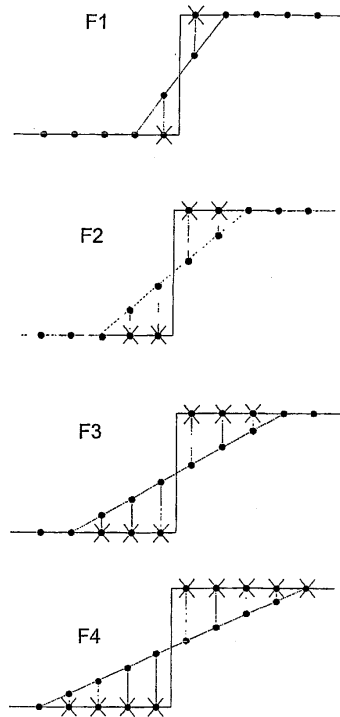




7



8



9

