



US00D969302S

(12) **United States Design Patent**
Eiffert

(10) **Patent No.:** **US D969,302 S**

(45) **Date of Patent:** **** Nov. 8, 2022**

(54) **CEILING FAN MOTOR HOUSING**

(71) Applicant: **Hunter Fan Company**, Memphis, TN (US)

(72) Inventor: **Ryan Lee Eiffert**, Memphis, TN (US)

(73) Assignee: **Hunter Fan Company**, Memphis, TN (US)

(**) Term: **15 Years**

(21) Appl. No.: **29/819,809**

(22) Filed: **Dec. 17, 2021**

Related U.S. Application Data

(63) Continuation of application No. 29/723,697, filed on Feb. 10, 2020, now Pat. No. Des. 941,453.

(51) **LOC (13) Cl.** **23-04**

(52) **U.S. Cl.**
USPC **D23/411**

(58) **Field of Classification Search**
USPC D23/370, 377, 385, 411; D26/59
CPC F04D 29/703; F04D 29/34; F04D 25/088;
F04D 25/08; F04D 25/388
See application file for complete search history.

(56) **References Cited**

U.S. PATENT DOCUMENTS

D312,139 S *	11/1990	Wang	D26/88
D328,491 S	8/1992	Markwardt		
D328,785 S *	8/1992	Markwardt	D26/85
D339,204 S	9/1993	Holbrook		
D445,887 S	7/2001	Campbell		
D459,466 S	6/2002	Hsieh		
D536,438 S	2/2007	Curtin		
D549,813 S *	8/2007	Gajewski	D26/59
D605,751 S	12/2009	Yang		
D628,688 S	12/2010	Pan		
D632,381 S	2/2011	Davenport et al.		
D692,607 S	10/2013	Lastimos		

D712,533 S	9/2014	Allen et al.		
D756,503 S	5/2016	Wang		
D771,794 S *	11/2016	Wang	D26/59
D772,393 S	11/2016	Wang		
D789,511 S	6/2017	Wang		
D794,768 S	8/2017	Wang		

(Continued)

FOREIGN PATENT DOCUMENTS

CN 206845502 U 1/2018

OTHER PUBLICATIONS

Home Decorators Collection Emery 56 in. LED Seasoned Wood Ceiling Fan with Remote Control-AM641H-SW, Home Decorators Collection Emery 56 in. LED Seasoned Wood Ceiling Fan with Remote, Model No. AM641H-SW, accessed Jan. 4, 2019.

(Continued)

Primary Examiner — Janice Hallmark

(74) *Attorney, Agent, or Firm* — McGarry Bair PC

(57) **CLAIM**

The ornamental design for a ceiling fan motor housing, as shown and described.

DESCRIPTION

FIG. 1 is a top perspective view of a ceiling fan motor housing, shown in the environment of a ceiling fan, showing my new design;

FIG. 2 is a bottom perspective view thereof;

FIG. 3 is a top view thereof;

FIG. 4 is a bottom view thereof;

FIG. 5 is a front view thereof;

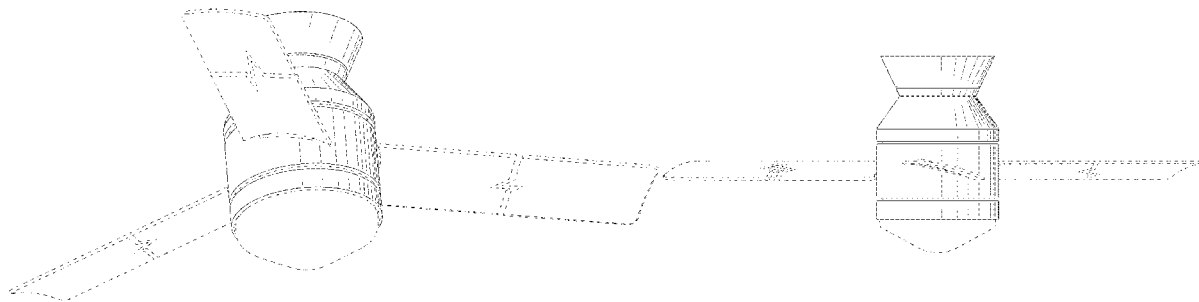
FIG. 6 is a rear view thereof;

FIG. 7 is a right side view thereof; and,

FIG. 8 is a left side view thereof.

Portions of the ceiling fan motor housing and ceiling fan shown in broken lines form no part of the claimed design.

1 Claim, 8 Drawing Sheets



(56)

References Cited

U.S. PATENT DOCUMENTS

D800,891	S	10/2017	McRoberts et al.	
D804,639	S	12/2017	Guthrie	
D805,175	S	12/2017	Haggar	
D810,915	S	2/2018	Guthrie	
D810,917	S	2/2018	Holmes	
D826,395	S *	8/2018	McRoberts	D23/411
D844,769	S	4/2019	McRoberts et al.	
D850,606	S *	6/2019	Wang	D23/377
D853,611	S	7/2019	McRoberts	
D855,172	S	7/2019	Holmes	
D874,637	S *	2/2020	Haggar	D23/411
D876,609	S	2/2020	Patrick	
D877,314	S *	3/2020	Holmes	D23/411
D894,457	S	8/2020	McRoberts	
D918,376	S	5/2021	Schulzman	
D920,499	S	5/2021	Holmes	
D921,880	S	6/2021	Haggar	
D921,881	S *	6/2021	Haggar	D26/59
D933,193	S *	10/2021	Haggar	D26/59
D933,806	S *	10/2021	Haggar	D23/377
D941,453	S *	1/2022	Eiffert	D23/377
D942,607	S *	2/2022	Eiffert	D23/377
D946,741	S *	3/2022	Martell	D23/377
D949,448	S *	4/2022	Guthrie	D26/59

OTHER PUBLICATIONS

<https://www.lowes.com/pd/Harbor-Breeze-Sail-Stream-52-in-Brushed-Nickel-Indoor-Ceiling-Fan-with-Light-Kit-and-Remote-3-Blade/50411006>, Harbor Breeze Sail Stream 52-in. 3-Blade Brushed Nickel Indoor Ceiling Fan with Light Kit and Remote, accessed Jan. 4, 2019.

<https://www.fanimation.com/products/index.php/fans/level.html>, Fanimation Studio Collection, Level 44 in. 3-blade Matte White LED Indoor Flush Mount Ceiling Fan with Light Kit, Model No. LP8347, accessed Jan. 4, 2019.

<https://www.hunterfan.com/ceiling-fans/casablanca-isotope-low-profile-with-led-light-52-inch-fam893>, Casablanca Isotope Low Profile 52 Inch Ceiling Fan with LED Light, Item No. 59355, accessed Jan. 4, 2019.

<http://www.kingoffans.com/#/products/ceilingFans>, King of Fans Corrado 44 inch Ceiling Fan OPal Matte Finish with LED Light, Model No. 51543, accessed Jan. 4, 2019.

<https://www.fanimation.com/products/index.php/hugh-44.html>, Fanimation Hugh 44 Indoor/Outdoor Ceiling Fan with LED Light and Remote, Model No. FPS8332, accessed Jan. 4, 2019.

<https://www.homedepot.com/p/Aire-a-Minka-Group-Design-Hi-Wind-52-in-Indoor-White-Ceiling-Fan-with-Remote-Control-04621/206213563>, Minka Aire Hi-Wind 52 in. Indoor White Ceiling Fan with Remote Control, Model No. 04621, accessed Jan. 4, 2019.

<http://www.kichler.com/products/product/60-inch-eris-ceiling-fan-led-sbk-310160sbk.aspx>, Kichler Eris 60 inch Ceiling Fan in Black Satin with LED Light, Model No. 310160SBK, accessed Jan. 4, 2019.

<https://www.homedepot.com/p/GE-Kinsey-44-in-LED-Indoor-White-Ceiling-Fan-with-SkyPlug-Technology-with-Remote-Control-20611/207197381>, Ge Kinsey 44 in. LED Indoor White Ceiling Fan with SkyPlug Technology with Remote Control, Model No. 20611, accessed Jan. 4, 2019.

<https://www.craftmade.com/outdoor-bowl-light-kit-elk113-1fb-w>, Craftmade Outdoor Bowl Light Kit, Model No. ELK113-1FB-W, accessed Jan. 4, 2019.

<http://www.kichler.com/products/product/climates-slim-profile-fixture-sbk-380910sbk.aspx>, Kichler Climates Slim Profile Fixture in Satin Black, Model No. 380910SBK, accessed Jan. 4, 2019.

<https://www.minkagroup.net/k98861-orb.html>, Minka Lavery Custom LED Light Kit, Model No. K9886L-ORB, accessed Jan. 4, 2019.

<http://www.kingoffans.com/#/products/ceilingFans>, King of Fans Cabrera 5 Blade Ceiling Fan, Model No. 61375, accessed Jan. 4, 2019.

* cited by examiner

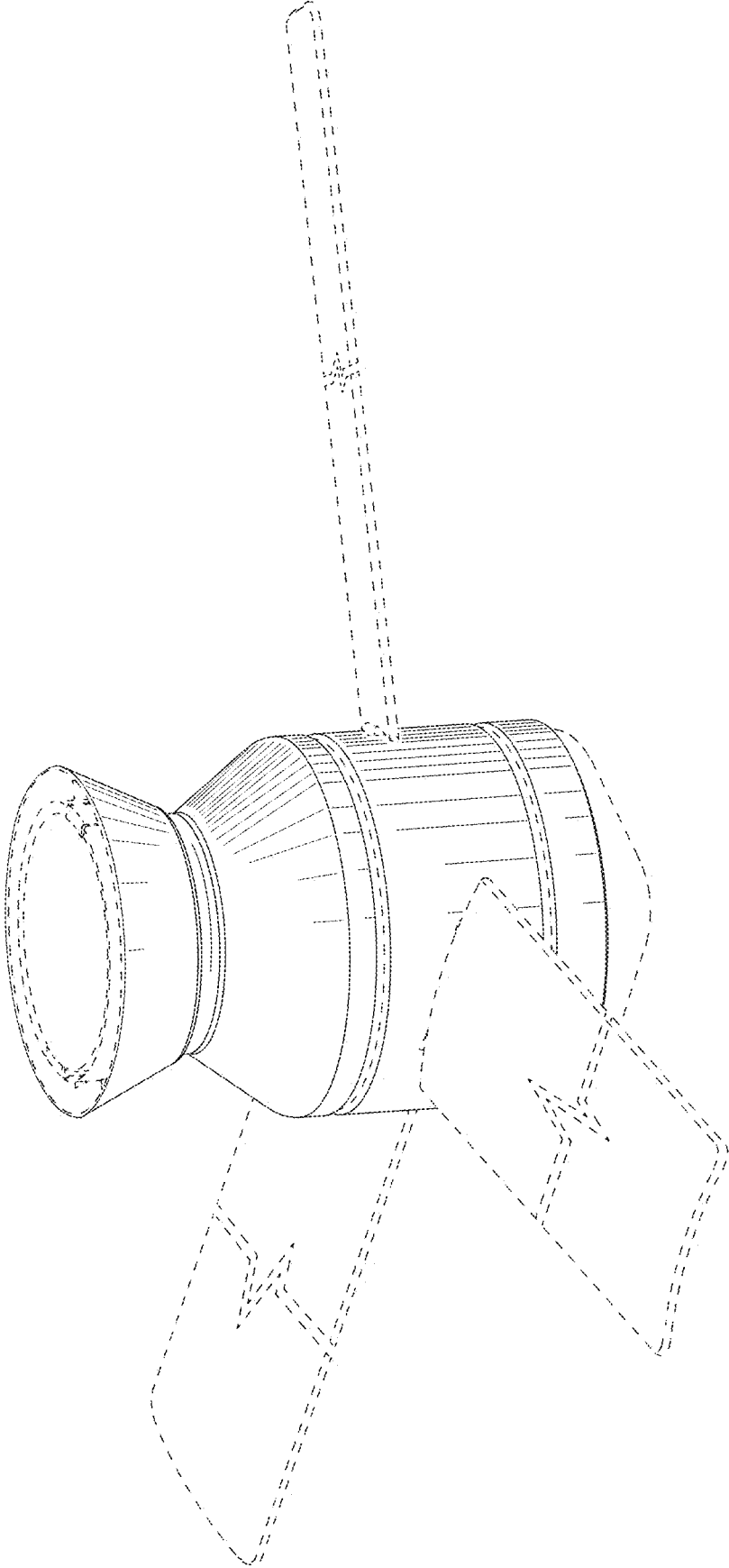


FIG. 1

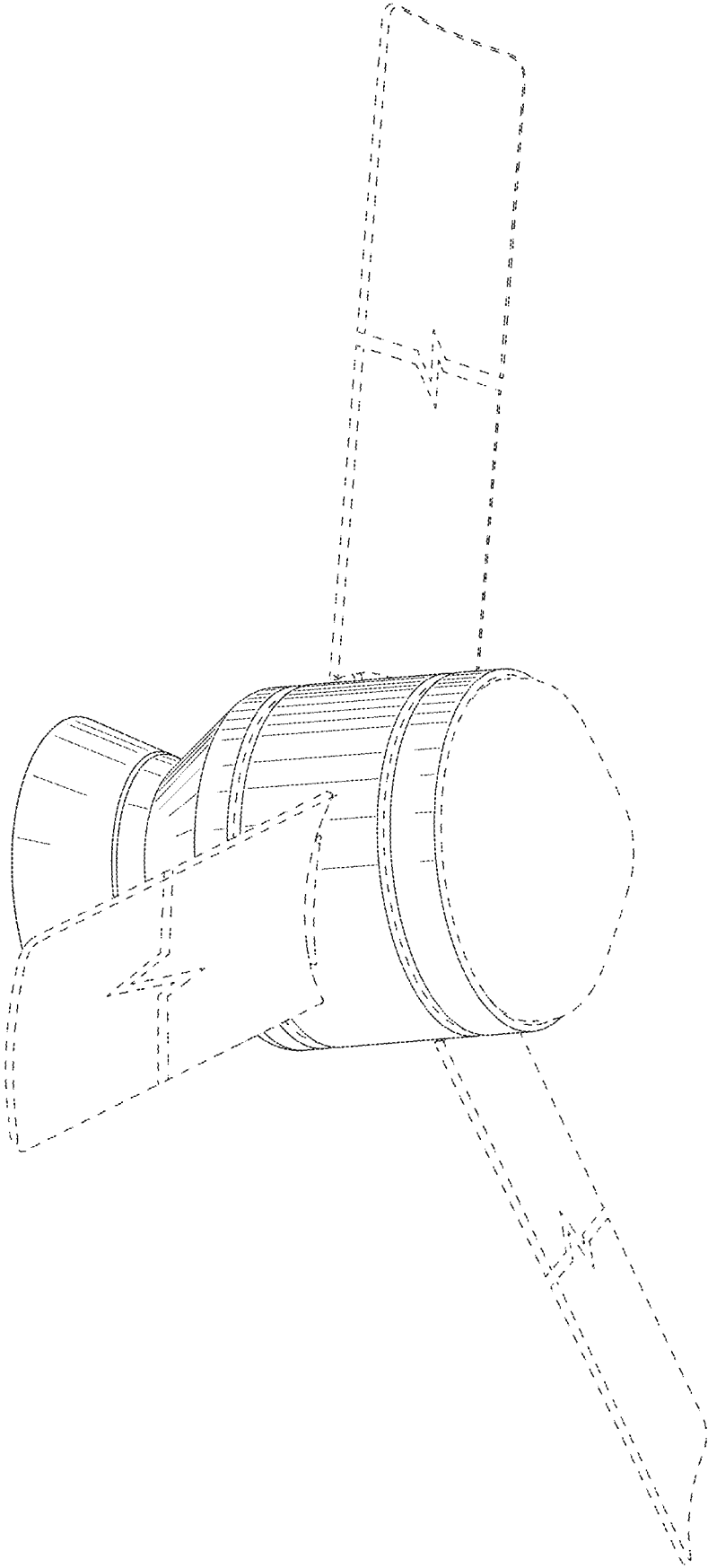


FIG. 2

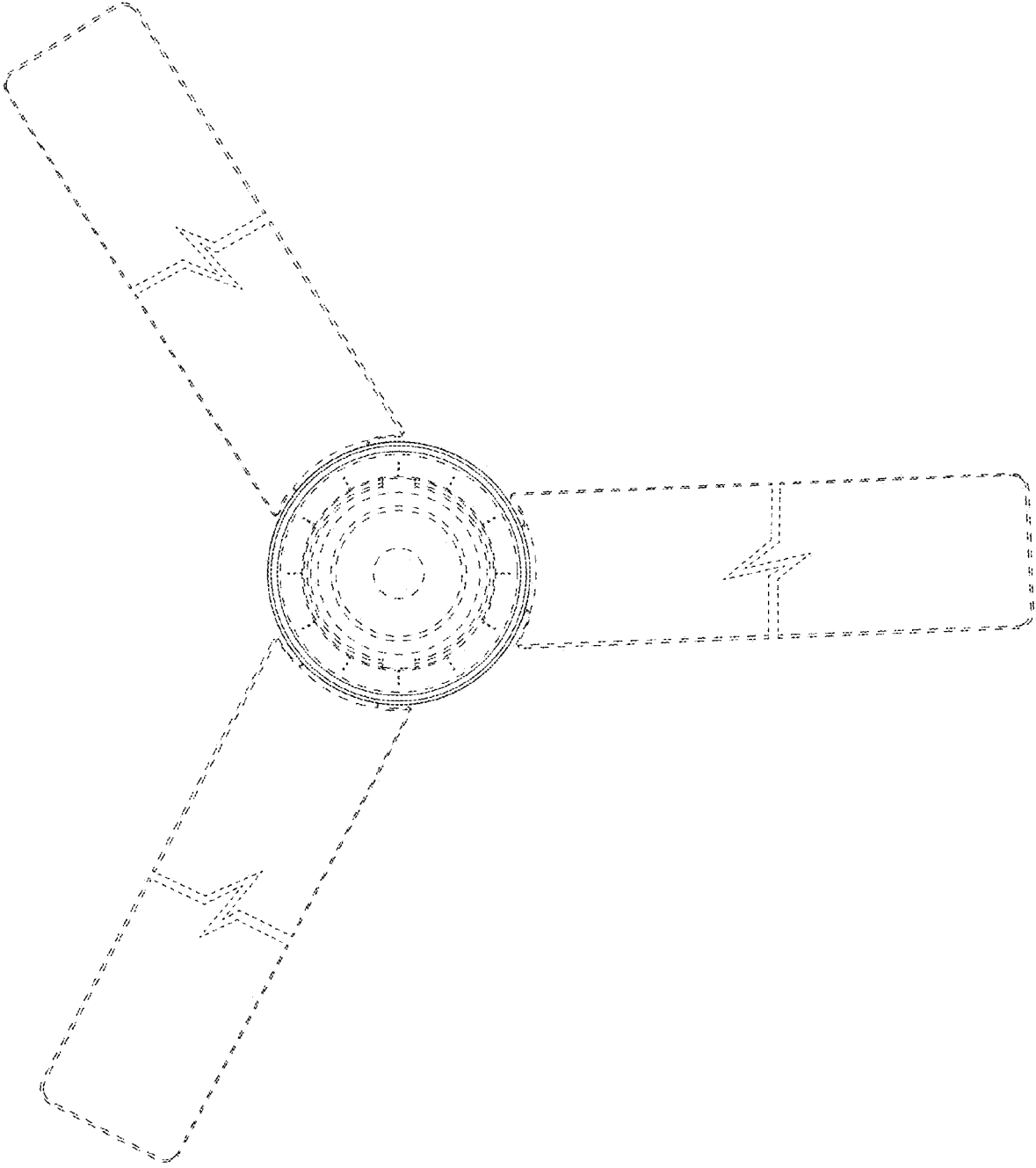


FIG. 3

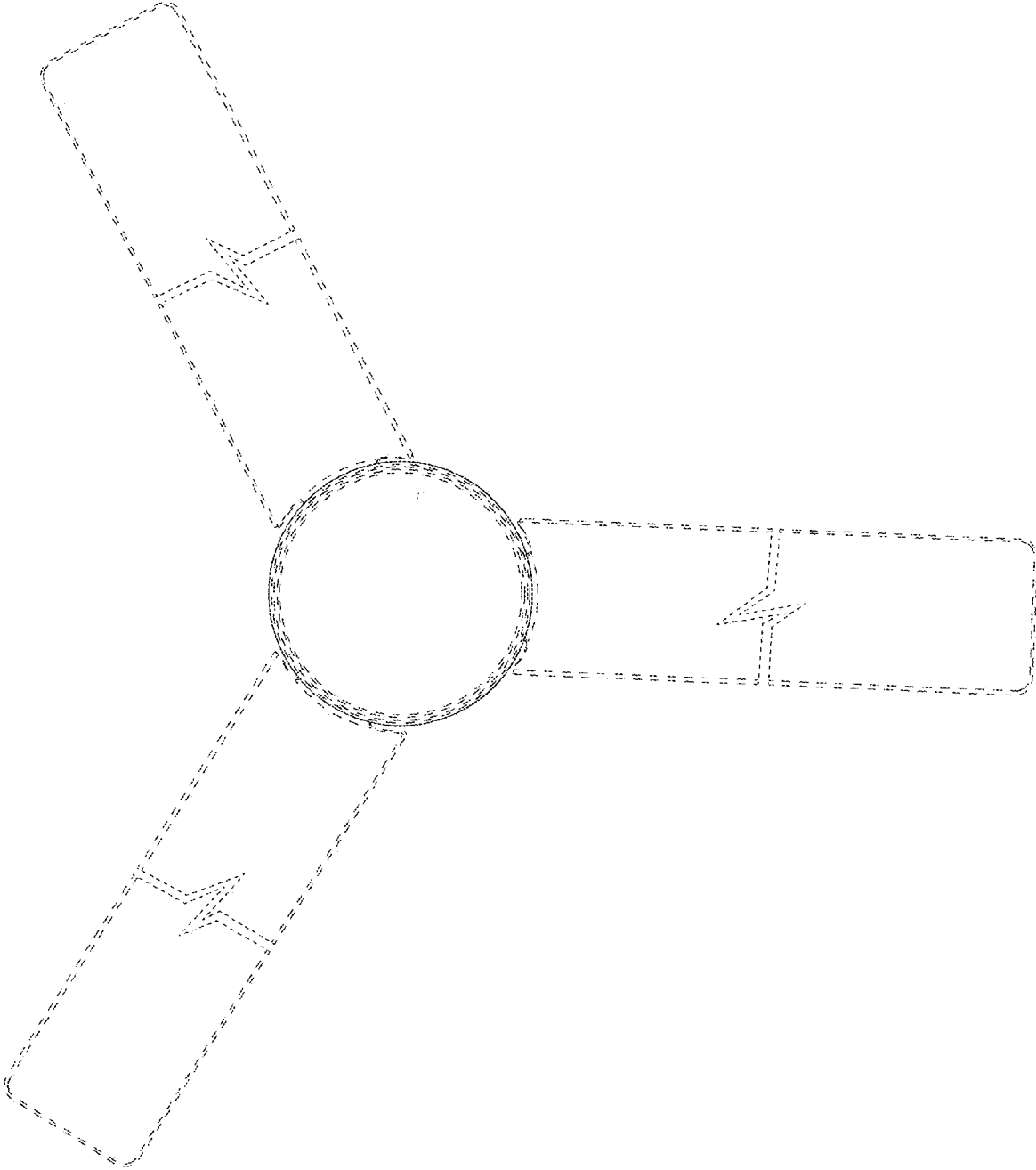


FIG. 4

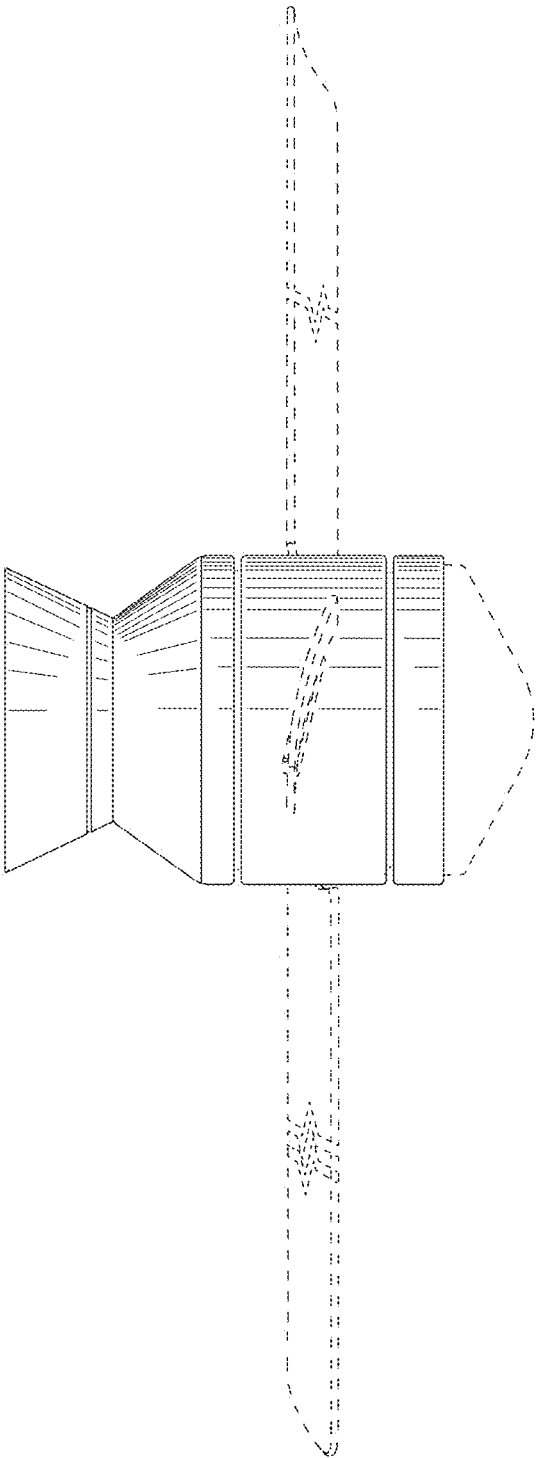


FIG. 5

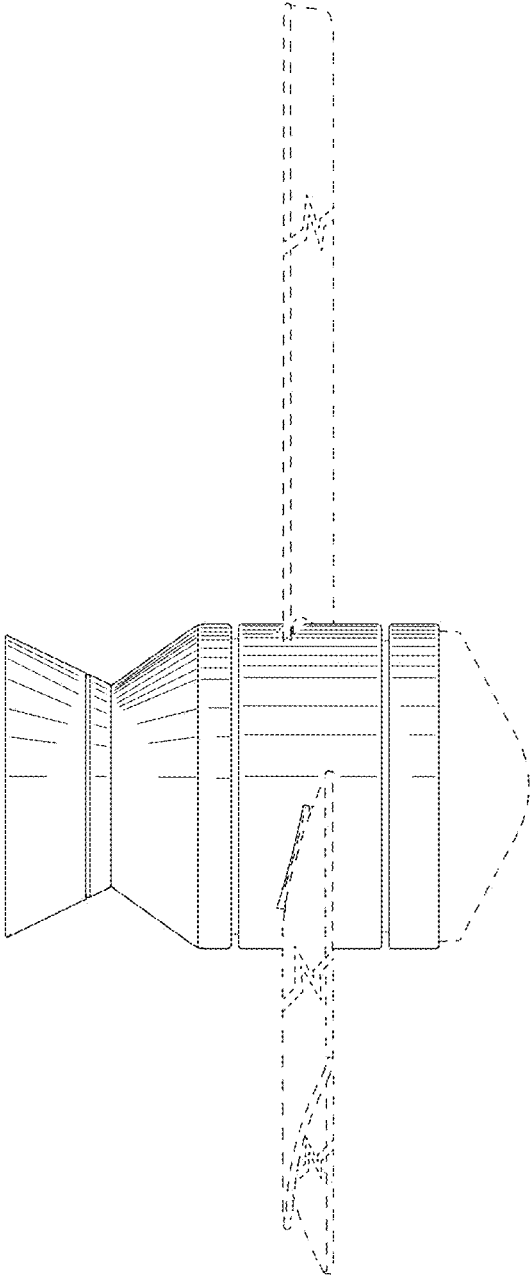


FIG. 7

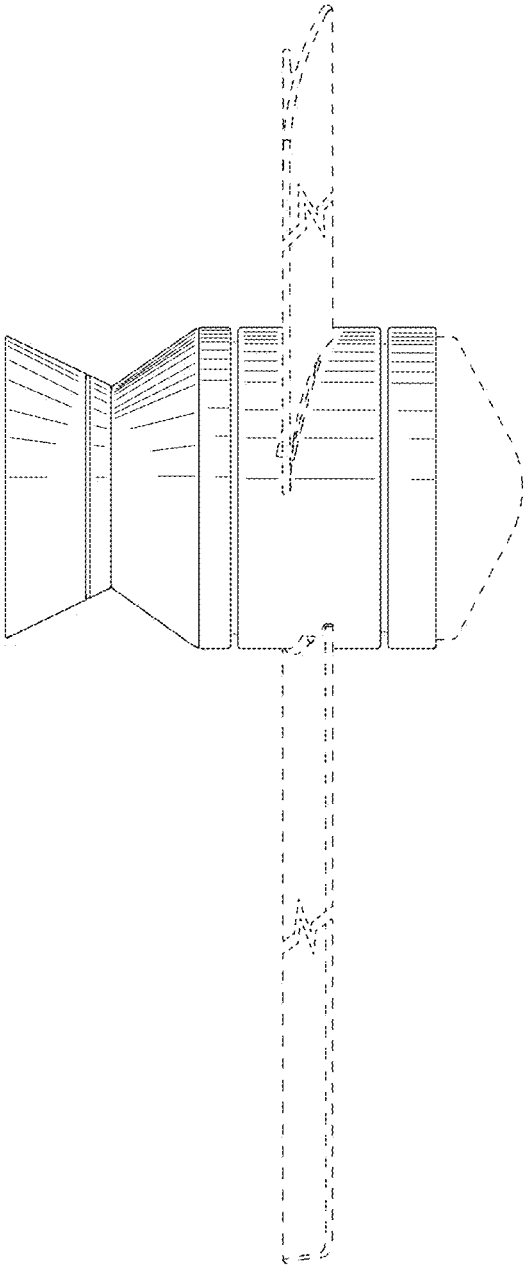


FIG. 8