

(19) World Intellectual Property Organization
International Bureau



(43) International Publication Date
5 February 2009 (05.02.2009)

PCT

(10) International Publication Number
WO 2009/018178 A3

- (51) International Patent Classification:
B41J 2/14 (2006.01)
- (21) International Application Number:
PCT/US2008/071277
- (22) International Filing Date: 26 July 2008 (26.07.2008)
- (25) Filing Language: English
- (26) Publication Language: English
- (30) Priority Data:
11/829,354 27 July 2007 (27.07.2007) US
- (71) Applicant (for all designated States except US):
HEWLETT-PACKARD DEVELOPMENT COMPANY, L.P. [US/US]; 11445 Compaq Center Drive West, Houston, TX 77070 (US).
- (72) Inventors; and
- (75) Inventors/Applicants (for US only): CLARK, Benjamin [US/US]; 1000 NE Circle Blvd., Corvallis, Oregon 97330 (US). DONALDSON, Jeremy Harlan [US/US]; 1000 NE Circle Blvd., Corvallis, Oregon 97330 (US). TAYLOR, Mark Sanders [US/US]; 1000 NE Circle Blvd., Corvallis, Oregon 97330 (US). STOUT, Joe E. [US/US]; 1000 NE Circle Blvd., Corvallis, Oregon 97330 (US).
- (74) Agents: MYERS, Timothy, F. et al.; Hewlett-Packard Company, Intellectual Property Administration, P.O. Box 272400, Mail Stop 35, Fort Collins, CO 80527-2400 (US).

- (81) Designated States (unless otherwise indicated, for every kind of national protection available): AE, AG, AL, AM, AO, AT, AU, AZ, BA, BB, BG, BH, BR, BW, BY, BZ, CA, CH, CN, CO, CR, CU, CZ, DE, DK, DM, DO, DZ, EC, EE, EG, ES, FI, GB, GD, GE, GH, GM, GT, HN, HR, HU, ID, IL, IN, IS, JP, KE, KG, KM, KN, KP, KR, KZ, LA, LC, LK, LR, LS, LT, LU, LY, MA, MD, ME, MG, MK, MN, MW, MX, MY, MZ, NA, NG, NI, NO, NZ, OM, PG, PH, PL, PT, RO, RS, RU, SC, SD, SE, SG, SK, SL, SM, ST, SV, SY, TJ, TM, TN, TR, TT, TZ, UA, UG, US, UZ, VC, VN, ZA, ZM, ZW.
- (84) Designated States (unless otherwise indicated, for every kind of regional protection available): ARIPO (BW, GH, GM, KE, LS, MW, MZ, NA, SD, SL, SZ, TZ, UG, ZM, ZW), Eurasian (AM, AZ, BY, KG, KZ, MD, RU, TJ, TM), European (AT, BE, BG, CH, CY, CZ, DE, DK, EE, ES, FI, FR, GB, GR, HR, HU, IE, IS, IT, LT, LU, LV, MC, MT, NL, NO, PL, PT, RO, SE, SI, SK, TR), OAPI (BF, BJ, CF, CG, CI, CM, GA, GN, GQ, GW, ML, MR, NE, SN, TD, TG).

Declarations under Rule 4.17:

- as to the identity of the inventor (Rule 4.17(i))
- as to applicant's entitlement to apply for and be granted a patent (Rule 4.17(ii))
- as to the applicant's entitlement to claim the priority of the earlier application (Rule 4.17(iii))

[Continued on next page]

(54) Title: FLUID EJECTOR DEVICE

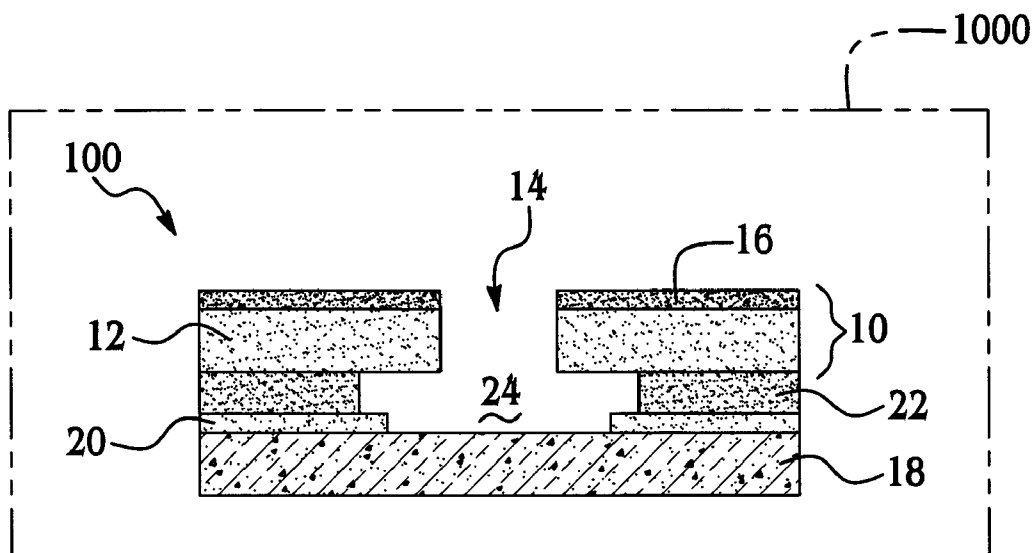


FIG. 2

(57) Abstract: Embodiments of a fluid ejector device (10) are disclosed.

WO 2009/018178 A3



Published:

- *with international search report*
- *before the expiration of the time limit for amending the claims and to be republished in the event of receipt of amendments*

(88) Date of publication of the international search report:
26 March 2009

A. CLASSIFICATION OF SUBJECT MATTER***B41J 2/14(2006.01)i***

According to International Patent Classification (IPC) or to both national classification and IPC

B. FIELDS SEARCHED

Minimum documentation searched (classification system followed by classification symbols)

IPC B41J 2/14, 2/135

Documentation searched other than minimum documentation to the extent that such documents are included in the fields searched

KOREAN UTILITY MODELS AND APPLICATIONS FOR UTILITY MODELS SINCE 1975

JAPANESE UTILITY MODELS AND APPLICATIONS FOR UTILITY MODELS SINCE 1975

Electronic data base consulted during the international search (name of data base and, where practicable, search terms used)

eKIPASS(KIPO internal) & keyword : nozzle, resin, fluorine

C. DOCUMENTS CONSIDERED TO BE RELEVANT

Category*	Citation of document, with indication, where appropriate, of the relevant passages	Relevant to claim No.
X	JP 2000-355106 A (CANON INC.) 26 December 2000 See Paragraph [0013], [0023] and Figure 1.	1-15
X	JP 2001-233972 A(CANON INC.) 28 August 2001 See Paragraph [0095], [0096], Claim 16 and Figures 5, 8.	1-15
A	JP 07-148930 A(SEIKO EPSON CORP.) 13 June 1995 See Paragraph [0010] and Figure 1.	1-15
A	US 2005-0088485 A1(KUNIHICO TAMAHASHI et al.) 28 April 2005 See Paragraph [0026] - Paragraph [0028] and Figure 1.	1-15

 Further documents are listed in the continuation of Box C. See patent family annex.

* Special categories of cited documents:

"A" document defining the general state of the art which is not considered to be of particular relevance

"E" earlier application or patent but published on or after the international filing date

"L" document which may throw doubts on priority claim(s) or which is cited to establish the publication date of citation or other special reason (as specified)

"O" document referring to an oral disclosure, use, exhibition or other means

"P" document published prior to the international filing date but later than the priority date claimed

"T" later document published after the international filing date or priority date and not in conflict with the application but cited to understand the principle or theory underlying the invention

"X" document of particular relevance; the claimed invention cannot be considered novel or cannot be considered to involve an inventive step when the document is taken alone

"Y" document of particular relevance; the claimed invention cannot be considered to involve an inventive step when the document is combined with one or more other such documents, such combination being obvious to a person skilled in the art

"&" document member of the same patent family

Date of the actual completion of the international search

29 JANUARY 2009 (29.01.2009)

Date of mailing of the international search report

29 JANUARY 2009 (29.01.2009)

Name and mailing address of the ISA/KR

Korean Intellectual Property Office
Government Complex-Daejeon, 139 Seonsa-ro, Seo-gu, Daejeon 302-701, Republic of Korea

Facsimile No. 82-42-472-7140

Authorized officer

KIM, Sung Hee

Telephone No. 82-42-481-8467



INTERNATIONAL SEARCH REPORT

Information on patent family members

International application No.

PCT/US2008/071277

Patent document cited in search report	Publication date	Patent family member(s)	Publication date
JP 2000-355106 A	26.12.2000	None	
JP 2001-233972 A	28.08.2001	EP 1108761 A2 EP 1108761 A3 US 2001-0017639 A1 US 6761431 B2	20.06.2001 18.07.2001 30.08.2001 13.07.2004
JP 07-148930 A	13.06.1995	JP 3399052 B2	21.04.2003
US 2005-0088485 A1	28.04.2005	None	