



US00D522889S

(12) **United States Design Patent**
Wallace

(10) **Patent No.:** **US D522,889 S**

(45) **Date of Patent:** **** Jun. 13, 2006**

(54) **TRANSPARENT MEASURING TAPE**

6,212,787 B1 * 4/2001 Dixon 33/759
6,237,243 B1 5/2001 Cook

(76) Inventor: **David R. Wallace**, 35 Fairway Dr.,
Novato, CA (US) 94949

* cited by examiner

(**) Term: **14 Years**

Primary Examiner—Antoine D. Davis

Assistant Examiner—Patricia Palasik

(74) *Attorney, Agent, or Firm*—Theresa M. Seal

(21) Appl. No.: **29/231,850**

(22) Filed: **Jun. 13, 2005**

(57) **CLAIM**

The ornamental design for a transparent measuring tape, as shown and described.

(51) **LOC (8) Cl.** **10-04**

(52) **U.S. Cl.** **D10/72**

(58) **Field of Classification Search** D10/72;
33/775-771; 242/292, 381.1, 381.2, 381.3,
242/381.4, 381.5, 381.6

See application file for complete search history.

DESCRIPTION

FIG. 1 is a perspective view of the transparent measuring tape utilized in measuring an object, in accordance with the invention;

FIG. 2 is a perspective view thereof;

FIG. 3 is an elevational side view, the other side being a mirror image thereof;

FIG. 4 is an elevational front view thereof;

FIG. 5 is an elevational rear view thereof;

FIG. 6 is an elevational top view thereof; and,

FIG. 7 is an elevational bottom view thereof.

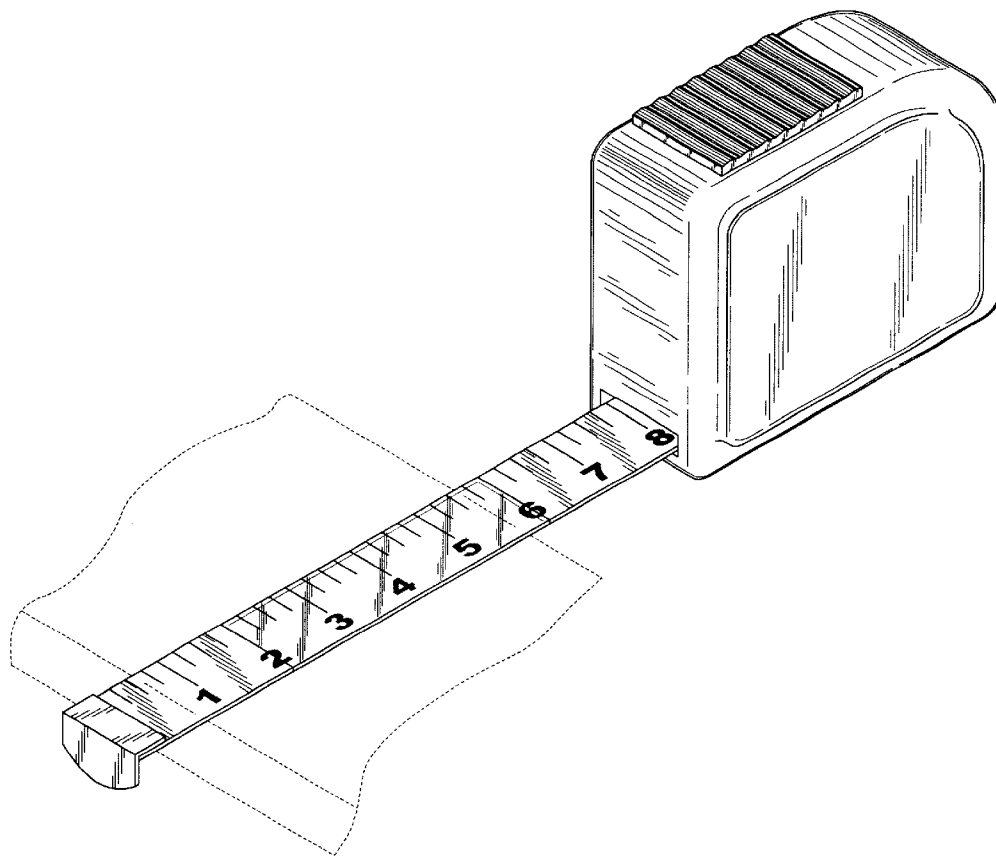
The broken line showing of the object being measured is for illustrative purposes only and forms no part of the claimed design.

(56) **References Cited**

U.S. PATENT DOCUMENTS

2,574,272	A	*	11/1951	McCully	33/770
3,648,835	A		3/1972	Yücel	
4,149,320	A		4/1979	Troyer et al.	
5,012,590	A		5/1991	Wagner et al.	
5,379,524	A	*	1/1995	Dawson	33/768
D397,949	S	*	9/1998	Azzopardi	D10/72
5,832,622	A		11/1998	Mann	
D408,305	S	*	4/1999	Li	D10/72
6,138,373	A		10/2000	Mann	

1 Claim, 3 Drawing Sheets



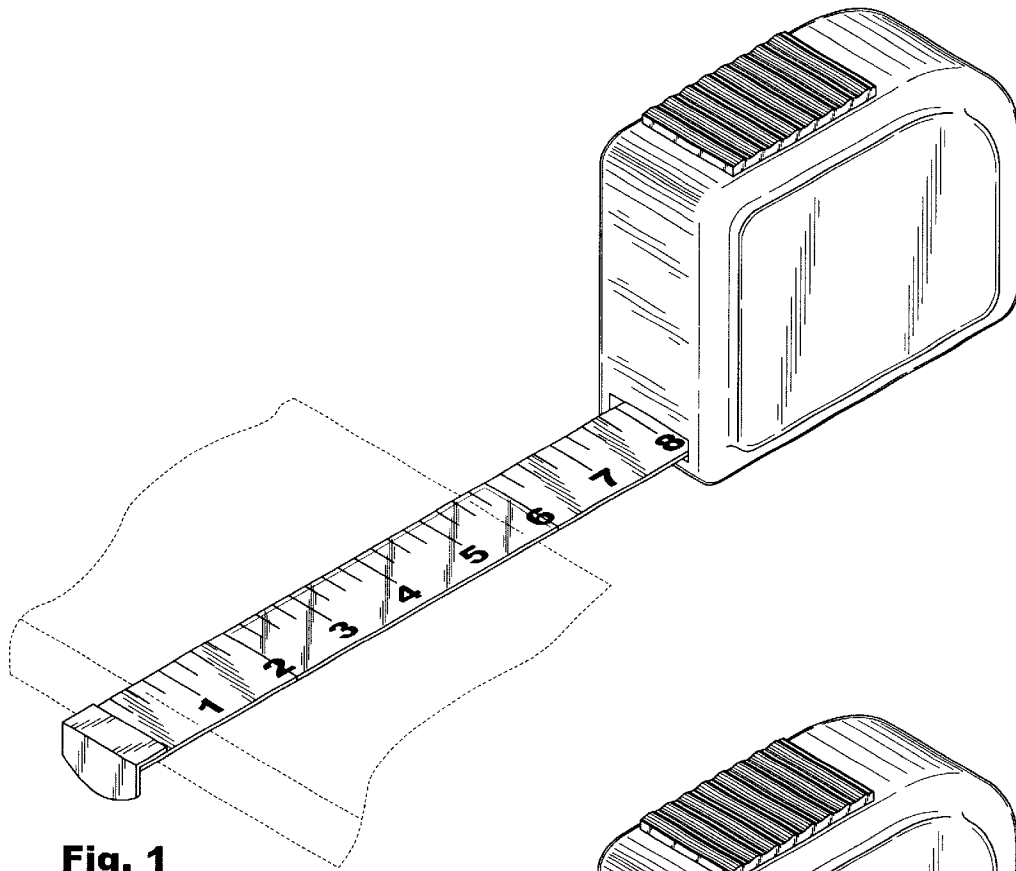


Fig. 1

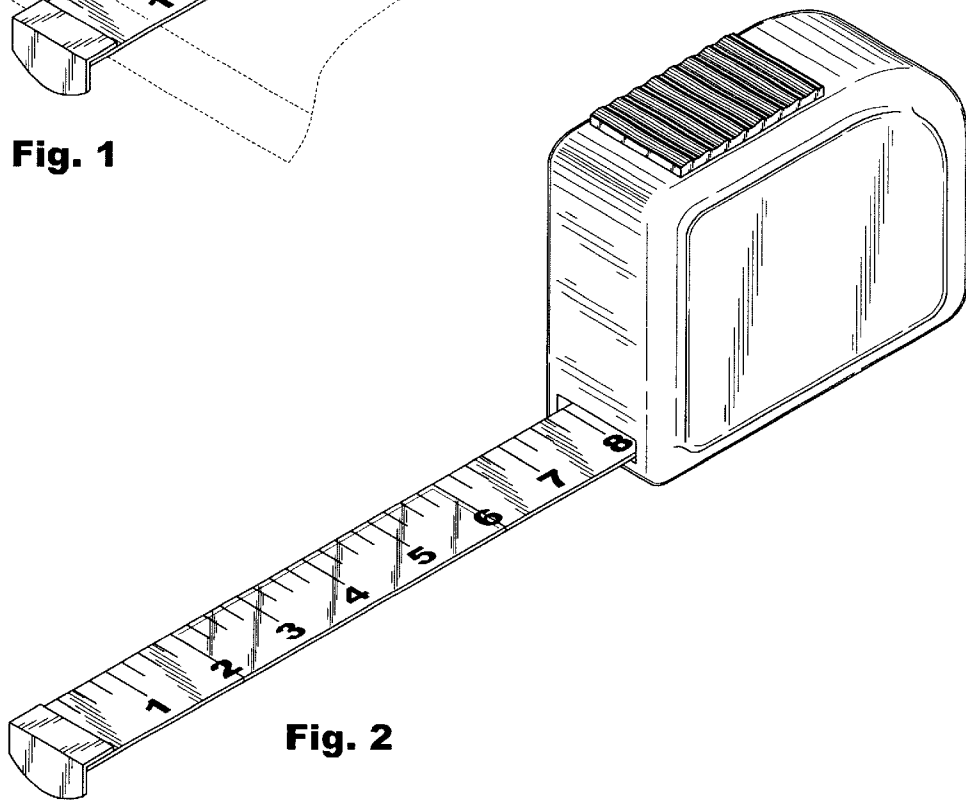


Fig. 2

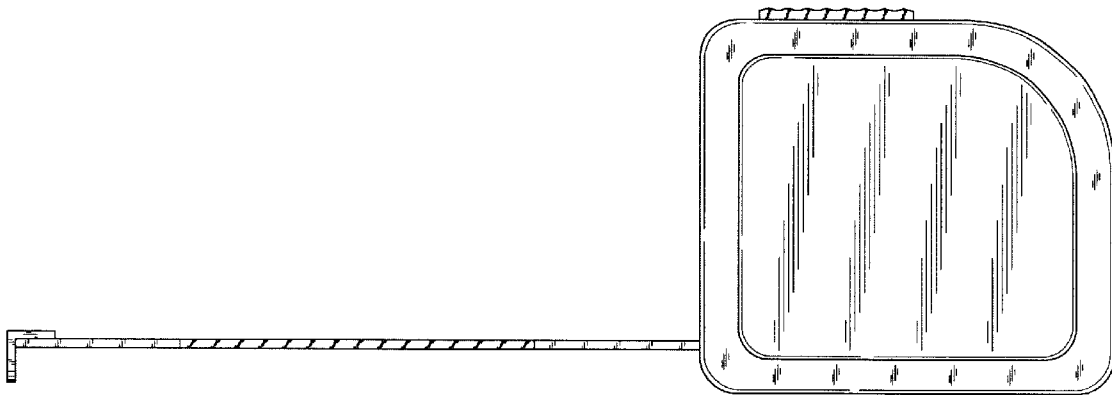


Fig. 3

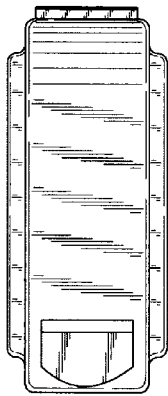


Fig. 4

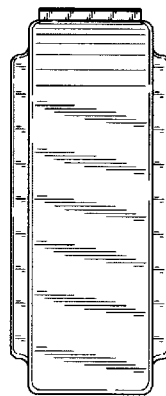


Fig. 5

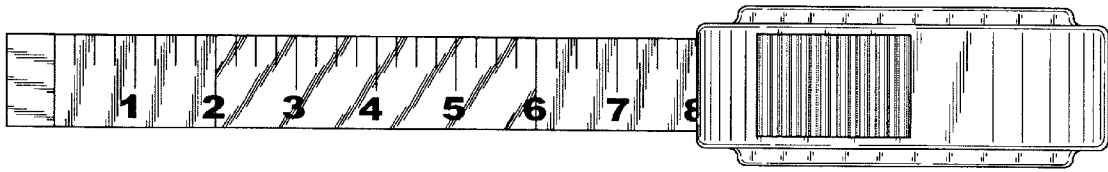


Fig. 6

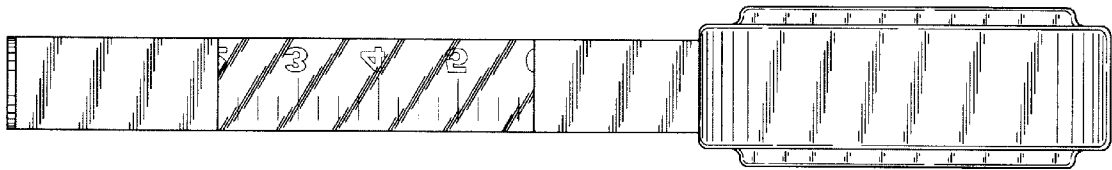


Fig. 7