



US00D887941S

(12) **United States Design Patent**  
**Han**

(10) **Patent No.:** **US D887,941 S**

(45) **Date of Patent:** **\*\* Jun. 23, 2020**

(54) **AUTOMOTIVE WHEEL**

(71) Applicant: **Donnie Han**, Corona, CA (US)

(72) Inventor: **Donnie Han**, Corona, CA (US)

(\*\*) Term: **15 Years**

(21) Appl. No.: **29/690,962**

(22) Filed: **May 13, 2019**

(51) **LOC (12) Cl.** ..... **12-16**

(52) **U.S. Cl.**  
USPC ..... **D12/209**

(58) **Field of Classification Search**  
USPC ..... D12/204–213; D21/563  
CPC .... B60B 7/00; B60B 7/02; B60B 7/04; B60B  
7/01; B60B 7/06; B60B 3/02; B60B 3/04;  
B60B 3/06; B60B 3/10; B60B 1/00;  
B60B 1/08; B60B 1/10; B60B 1/12  
See application file for complete search history.

(56) **References Cited**

**U.S. PATENT DOCUMENTS**

D655,657 S *	3/2012	Juergens	.....	D12/209
D686,132 S *	7/2013	Truebsbach	.....	D12/209
D730,799 S *	6/2015	Hans	.....	D12/209
D756,878 S *	5/2016	Valencia Pollex	.....	D12/209

D759,566 S *	6/2016	Valencia Pollex	.....	D12/211
D769,172 S *	10/2016	Ishii	.....	D12/211
D788,003 S *	5/2017	Conforzi	.....	D12/209
D790,422 S *	6/2017	Hodges	.....	D12/209
D791,668 S *	7/2017	Murase	.....	D12/209
D791,670 S *	7/2017	Valencia Pollex	.....	D12/209
D798,217 S *	9/2017	Valencia Pollex	.....	D12/211
D806,629 S *	1/2018	Bridan	.....	D12/211
D815,009 S *	4/2018	Valencia Pollex	.....	D12/209
D826,126 S *	8/2018	Valencia Pollex	.....	D12/209
D838,224 S *	1/2019	Valencia Pollex	.....	D12/209
D855,536 S *	8/2019	Zhao	.....	D12/209
D858,409 S *	9/2019	Kolb	.....	D12/209
D869,367 S *	12/2019	Rosello Visa	.....	D12/209
D877,023 S *	3/2020	Valencia Pollex	.....	D12/209
D879,002 S *	3/2020	Daniel	.....	D12/209

\* cited by examiner

*Primary Examiner* — Stacia A Cadmus

(57) **CLAIM**

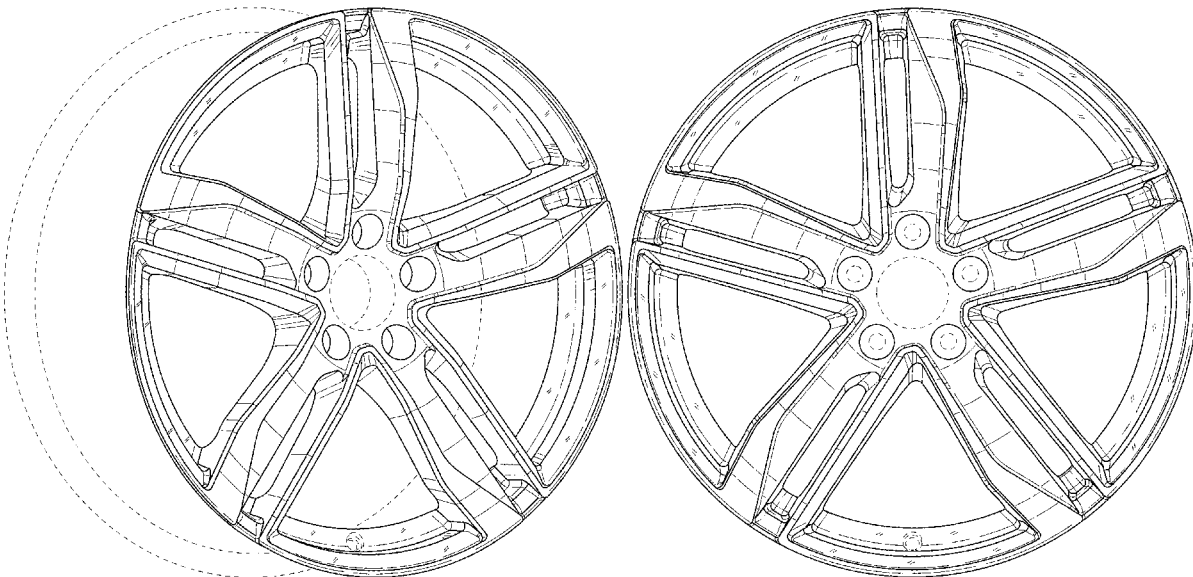
The ornamental design for an automotive wheel, as shown and described.

**DESCRIPTION**

FIG. 1 is a perspective view of an automotive wheel, showing my new design; and, FIG. 2 is a front view thereof.

In the drawings, the broken lines depict environmental subject matter and form no part of the claimed design.

**1 Claim, 2 Drawing Sheets**



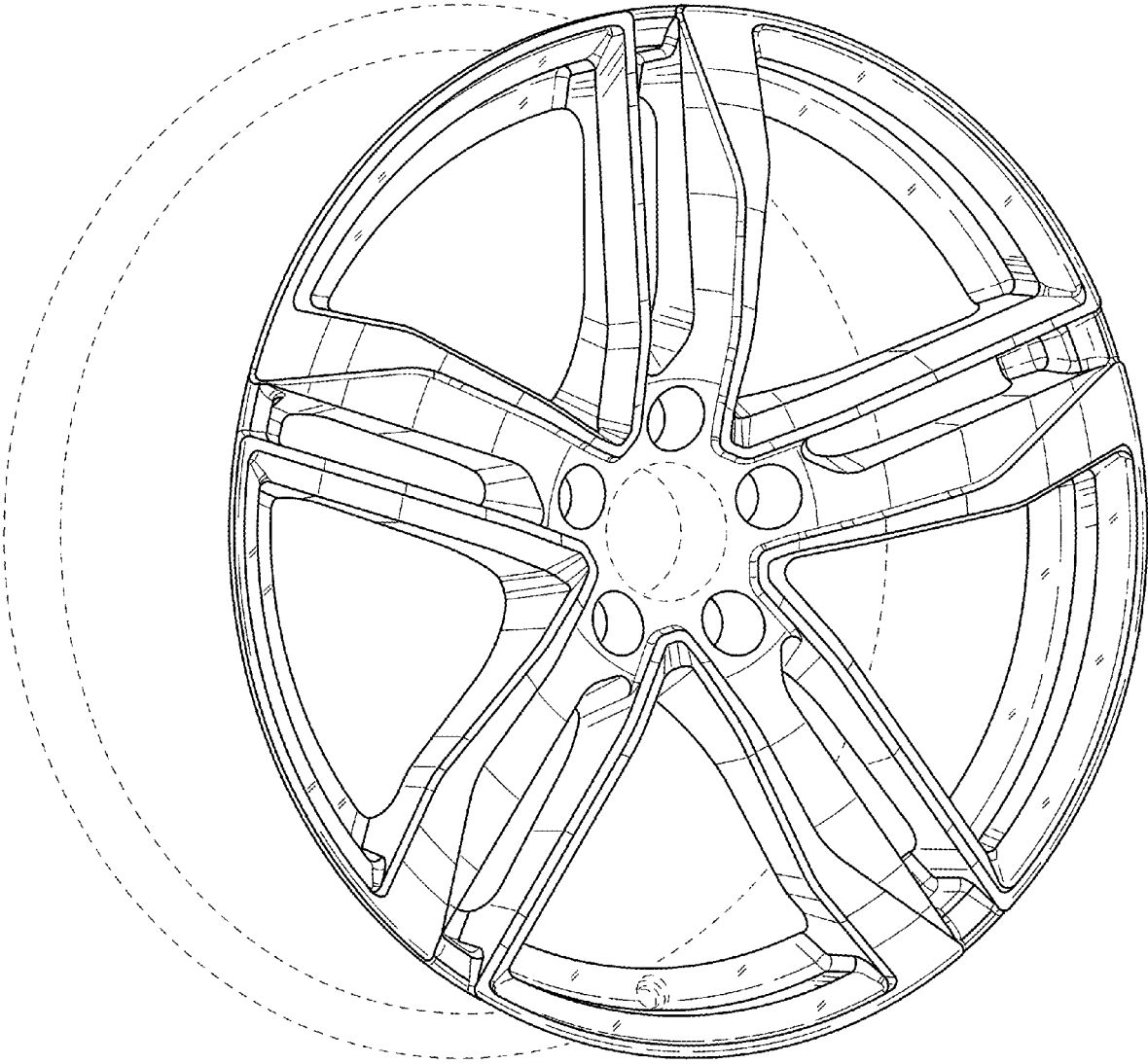


FIGURE 1

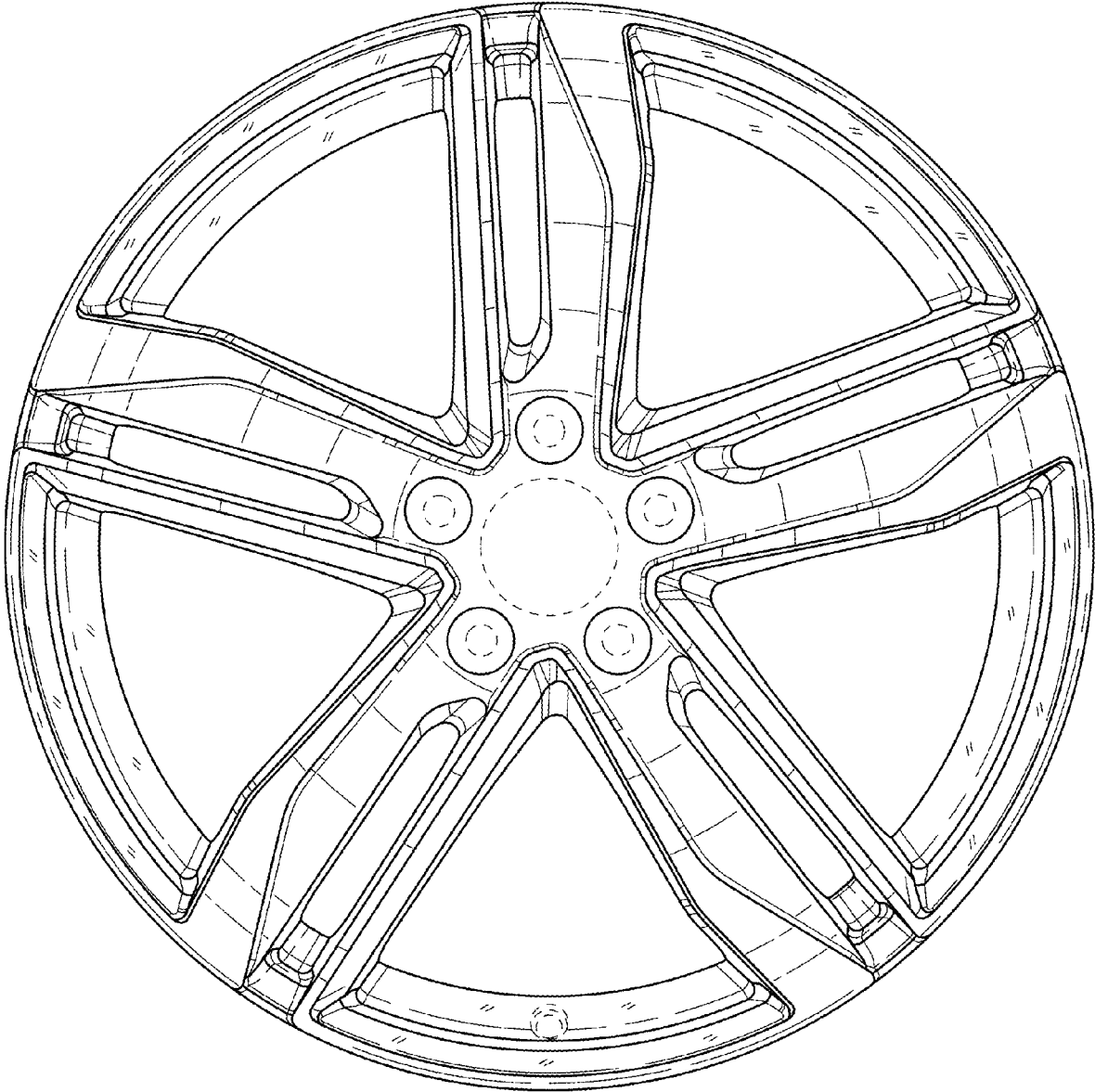


FIGURE 2