



US00D542868S

(12) **United States Design Patent**
Webber

(10) **Patent No.:** **US D542,868 S**

(45) **Date of Patent:** **** May 15, 2007**

(54) **FOLDING EXERCISE BENCH**

2006/0217249 A1 9/2006 Webber

(76) Inventor: **Randall T. Webber**, 1265 Park Row,
La Jolla, CA (US) 92037

OTHER PUBLICATIONS

(**) Term: **14 Years**

U. K. Fitness Supplies Websight. found on internet, Oct. 2,
2006, Page of Mid-Section (abdominal) machines.*
U.S. Appl. No. 29/243,976, filed Dec. 02, 2005, Webber.
U.S. Appl. No. 29/243,777, filed Nov. 30, 2005, Webber.
Sit Up Bench, Speedent Corp. Brochure, 1997.

(21) Appl. No.: **29/243,975**

(22) Filed: **Dec. 2, 2005**

(Continued)

(51) **LOC (8) Cl.** **21-02**

(52) **U.S. Cl.** **D21/690**

(58) **Field of Classification Search** D21/662,
D21/676, 686, 690; 482/104, 133, 140, 142,
482/96; D24/183

Primary Examiner—Philip S. Hyder

(74) *Attorney, Agent, or Firm*—Procopio Cory Hargreaves
& Savitch

See application file for complete search history.

(57) **CLAIM**

(56) **References Cited**

I claim the ornamental design for a folding exercise bench,
as shown.

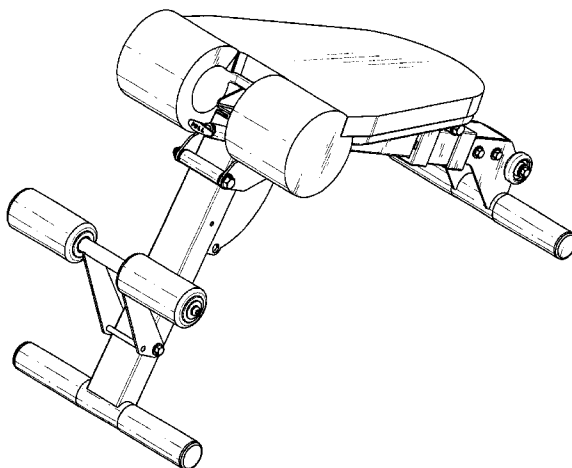
U.S. PATENT DOCUMENTS

DESCRIPTION

D254,562 S *	3/1980	Pearo	D21/690
4,623,144 A	11/1986	Rockwell		
4,627,619 A	12/1986	Rockwell et al.		
5,190,513 A *	3/1993	Habing et al.	482/145
D339,617 S *	9/1993	Harashima	D21/690
D366,917 S *	2/1996	Clem	D21/690
D370,506 S *	6/1996	Clem	D21/687
D406,290 S *	3/1999	McBride	D21/690
D425,153 S *	5/2000	Grider	D21/690
6,123,653 A *	9/2000	Huang	482/142
6,206,809 B1	3/2001	Habing et al.		
6,248,047 B1	6/2001	Abdo		
6,258,016 B1	7/2001	Kuo		
6,287,243 B1 *	9/2001	Isom et al.	482/142
6,287,244 B1	9/2001	Boos		
6,379,289 B1	4/2002	Gossie		
6,387,024 B1	5/2002	Monti et al.		
6,478,721 B1	11/2002	Hunter		
6,491,607 B2	12/2002	Simmons et al.		
6,544,154 B2 *	4/2003	Forcillo	482/142
6,575,884 B1	6/2003	Eazor		
D477,372 S *	7/2003	Garner	D21/690
6,712,743 B2 *	3/2004	Chen	482/142
6,740,015 B1	5/2004	Stearns		
D519,585 S *	4/2006	Webber	D21/690

FIG. 1 is a front perspective view of a folding exercise bench
in a first exercise position, showing my new design;
FIG. 2 is a front elevational view thereof;
FIG. 3 is a right side elevational view thereof;
FIG. 4 is a left side elevational view thereof;
FIG. 5 is a top plan view thereof;
FIG. 6 is a rear elevational view thereof;
FIG. 7 is a bottom plan view thereof;
FIG. 8 is a front perspective view of the folding exercise
bench of FIG. 1, showing the bench in a second exercise
position;
FIG. 9 is a right side elevational view of the bench in the
position of FIG. 8
FIG. 10 is a rear perspective view of the bench in the
position of FIG. 8;
FIG. 11 is a front perspective view of the folding exercise
bench in a lowered, folded position;
FIG. 12 is a right side elevational view of the bench in the
position of FIG. 11; and,
FIG. 13 is a rear perspective view of the bench in the
position of FIG. 11.

1 Claim, 13 Drawing Sheets



OTHER PUBLICATIONS

Kamparts EZ-Life Brochure, Date Unknown.

Zheigang Machinery & Equipment Corporation Brochure, Abdominal Benches, ZE32020-12; -13; -14 and ZE32020-16, Date Unknown.

Hoist Fitness Brochure, CF2162 Super Adjustable Decline Bench, 2000.

Keys Fitness Brochure, Various Abdominal and Low Back Exercise Benches, 2003.

Nautilus Fitness Brochure, Various Abdominal and Low Back Benches, 2001.

KW 105m Abdominal Bench, Galaxy Star Brochure, Date Unknown.

* cited by examiner

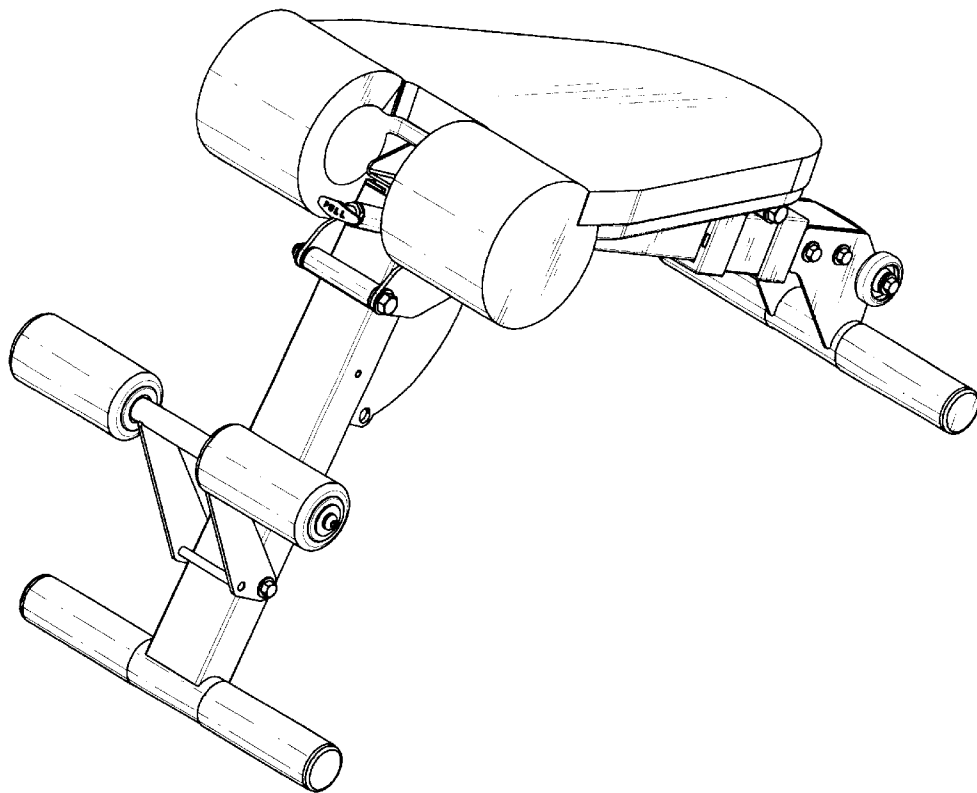


FIG. 1

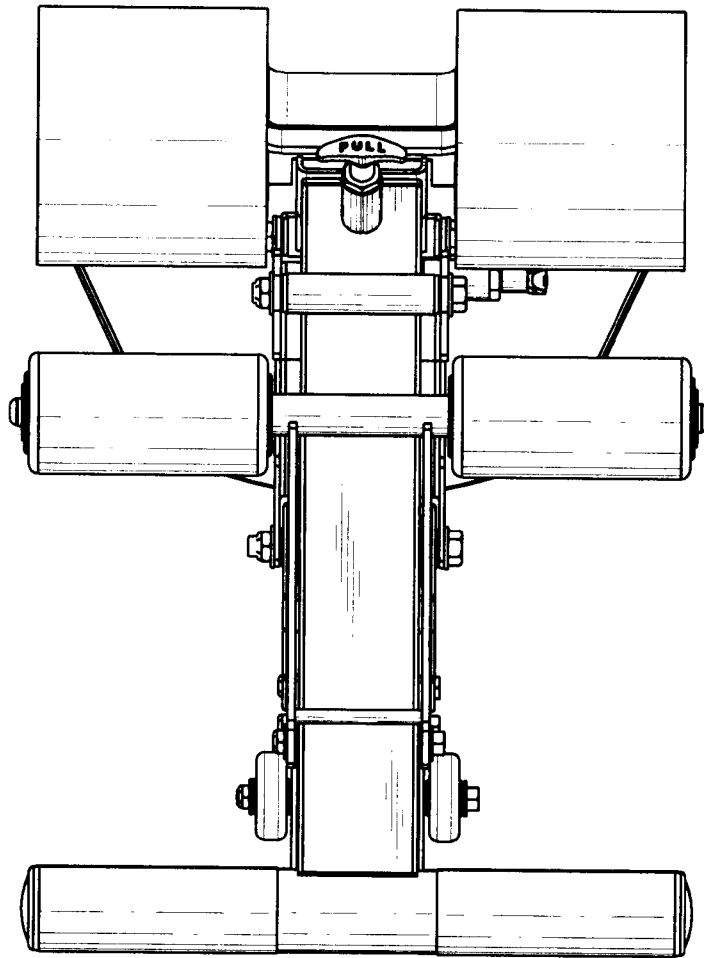


FIG. 2

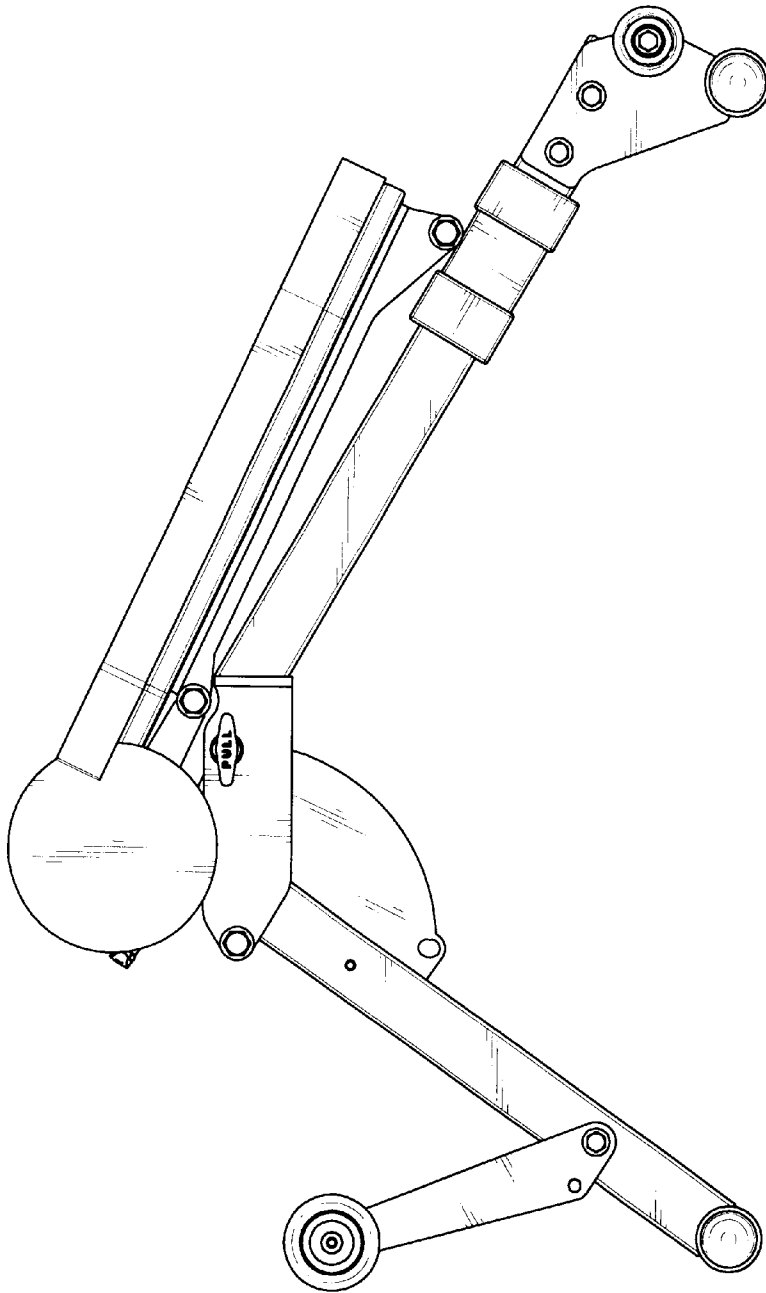


FIG. 3

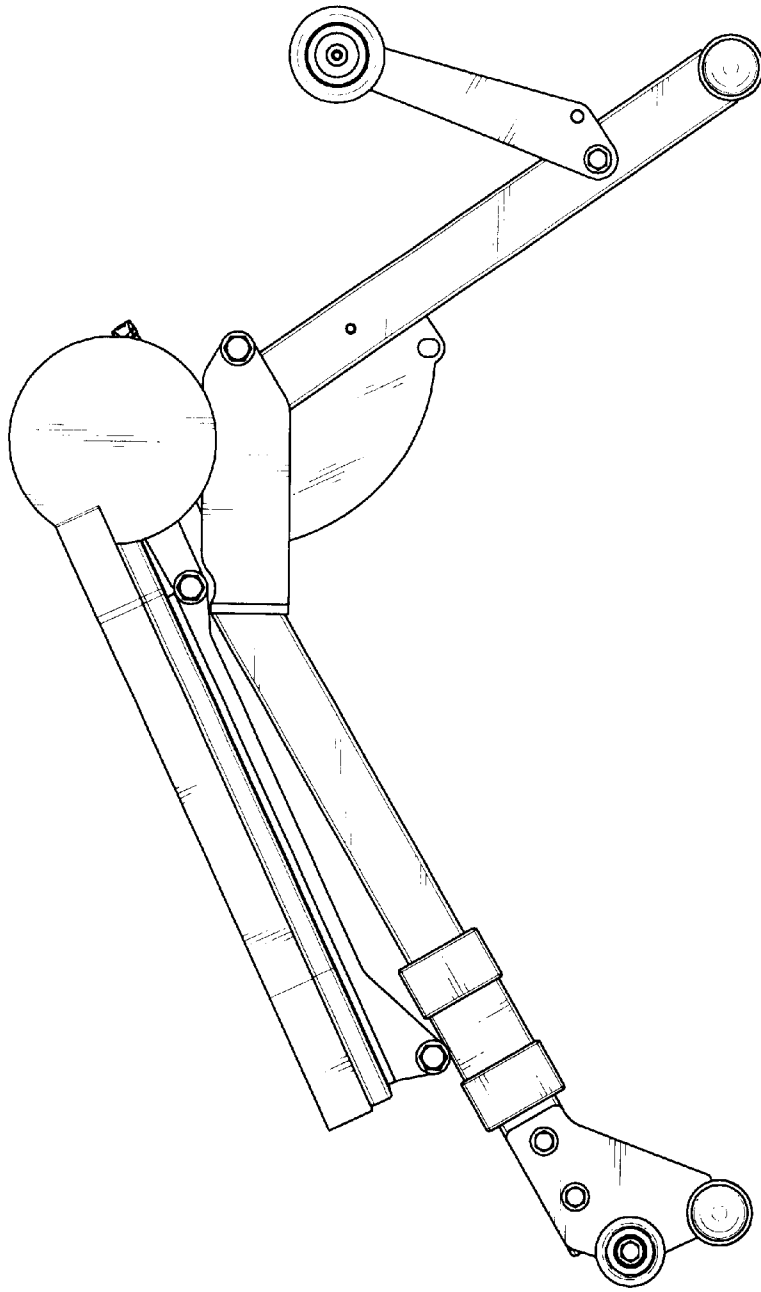


FIG. 4

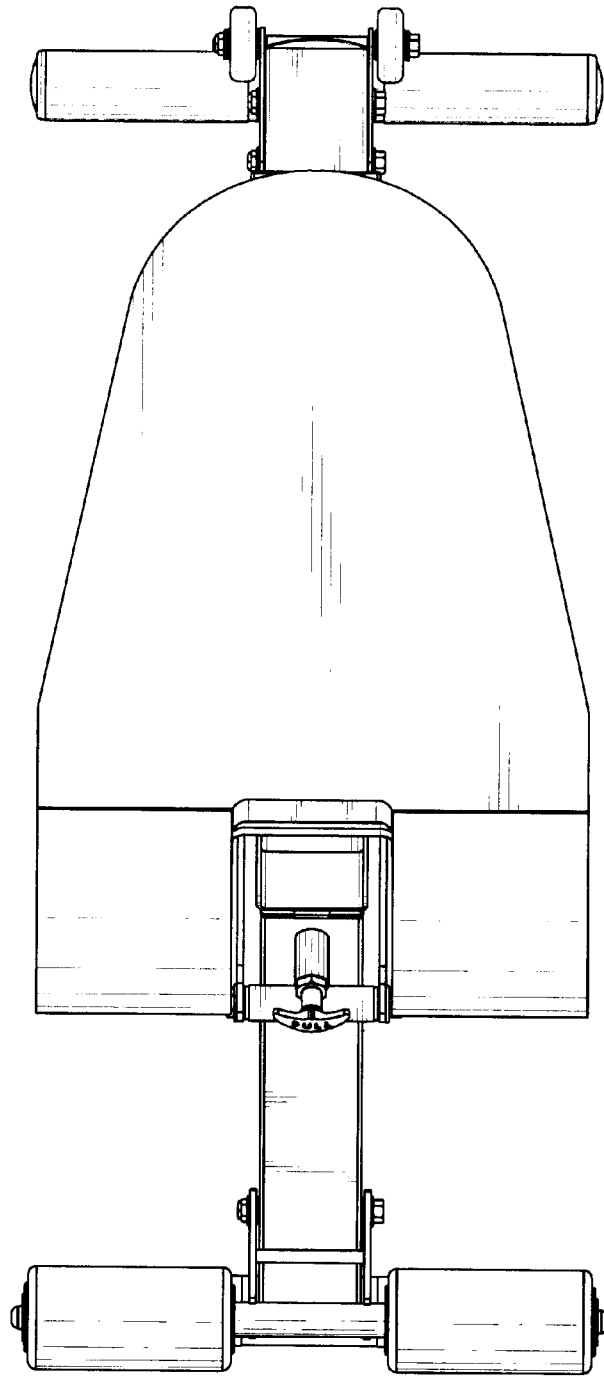


FIG. 5

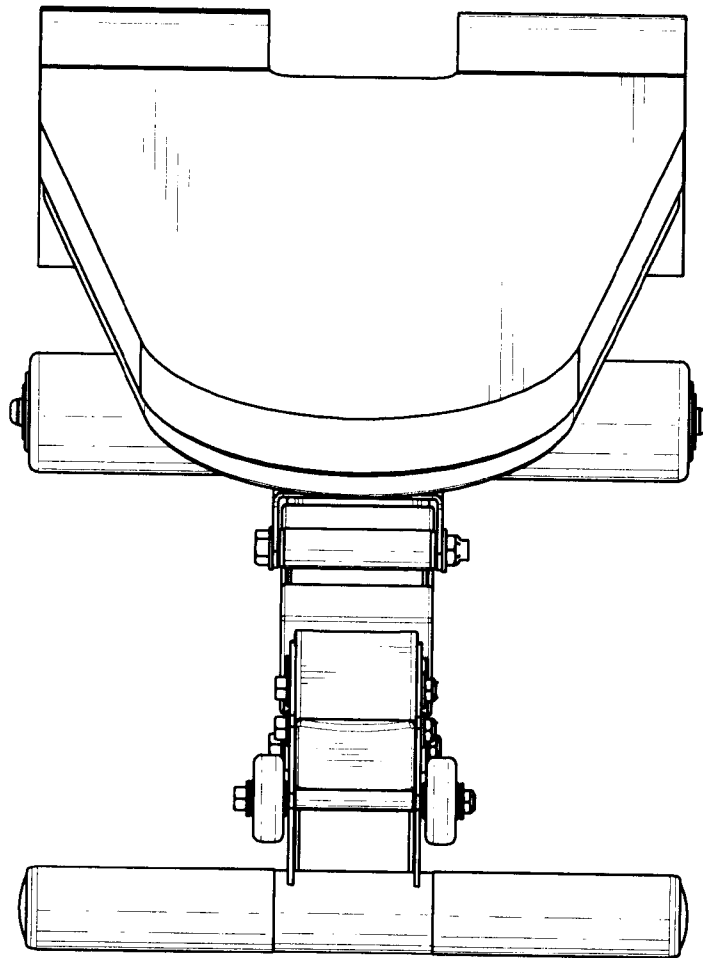


FIG. 6

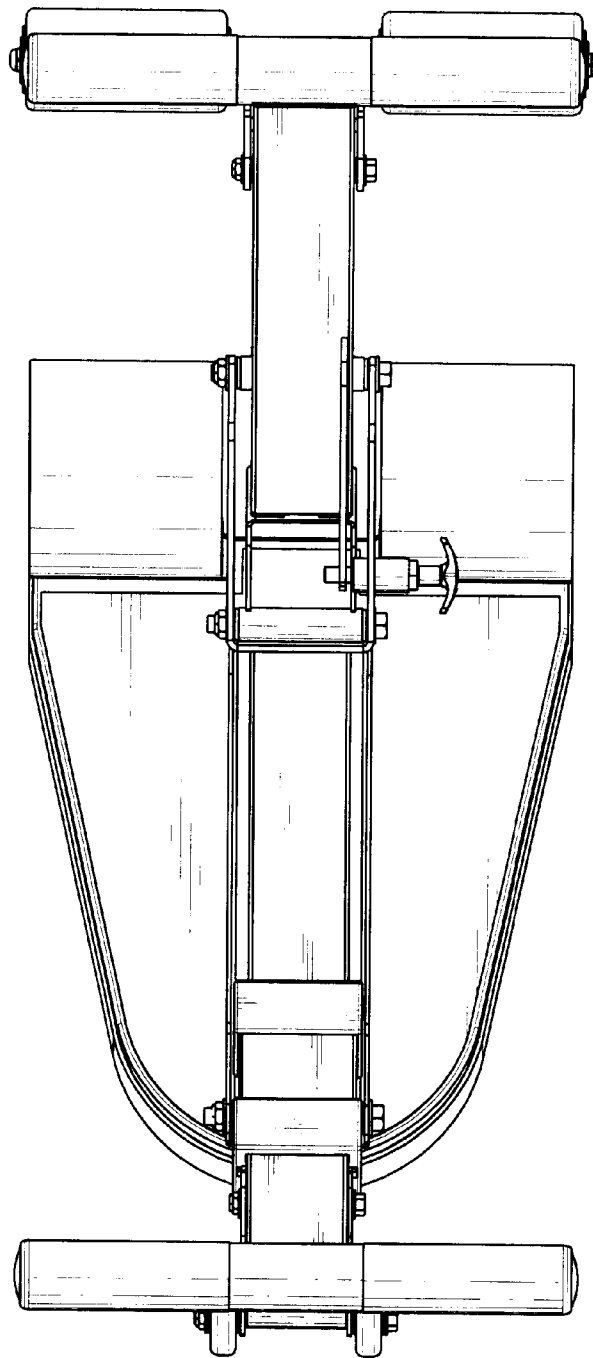


FIG. 7

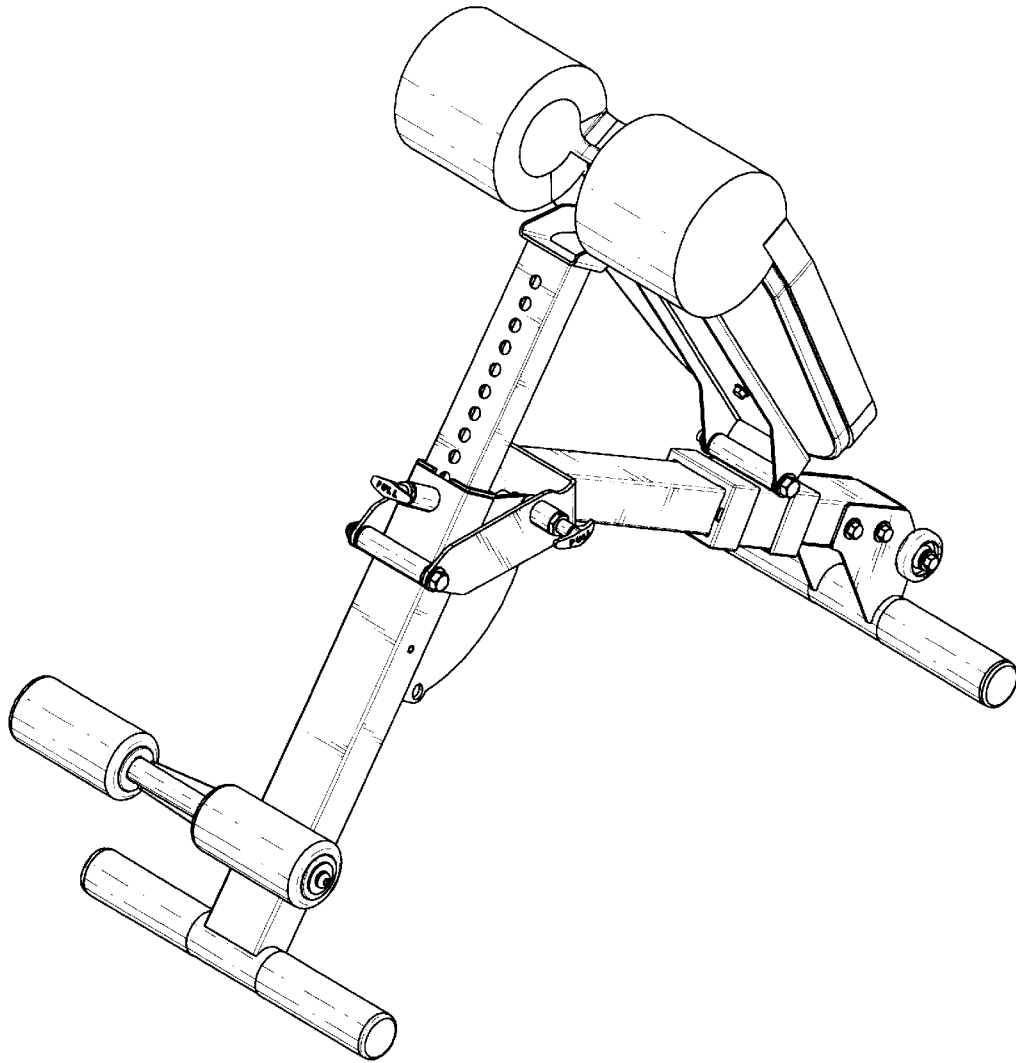


FIG. 8

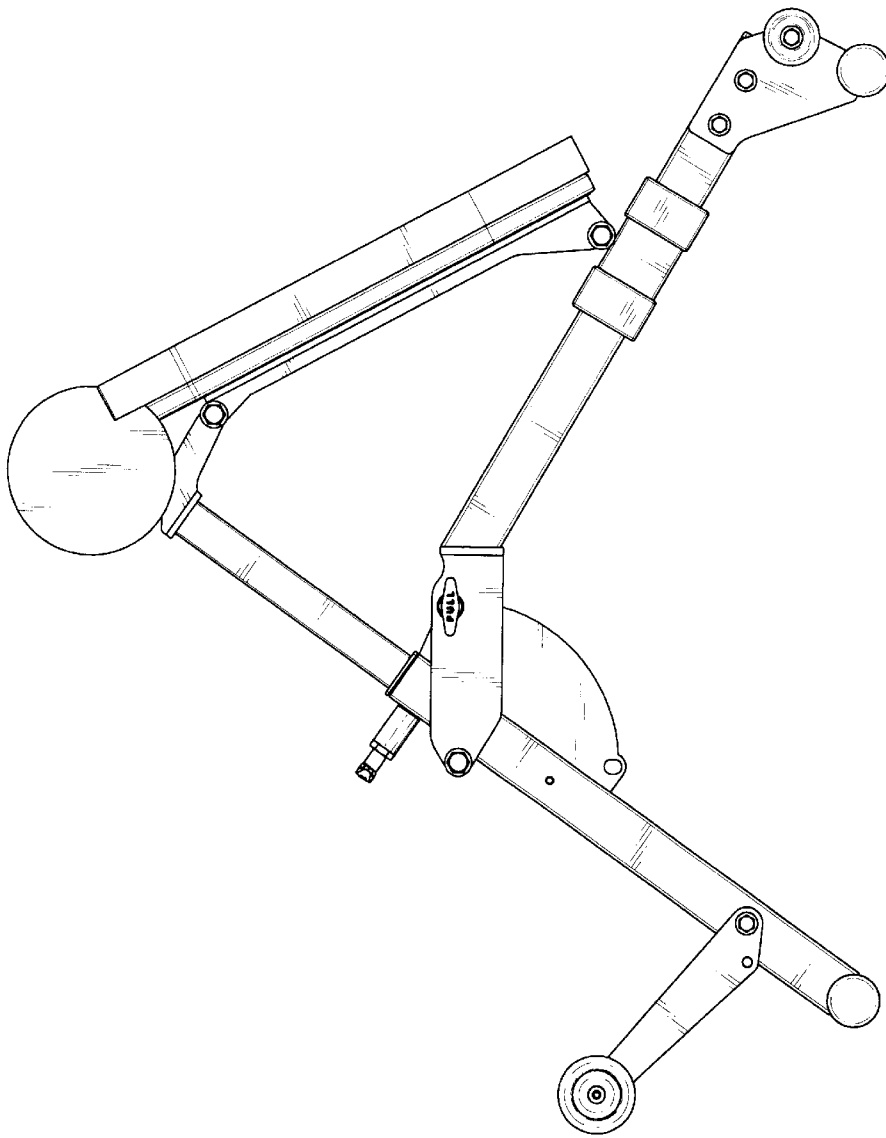


FIG. 9

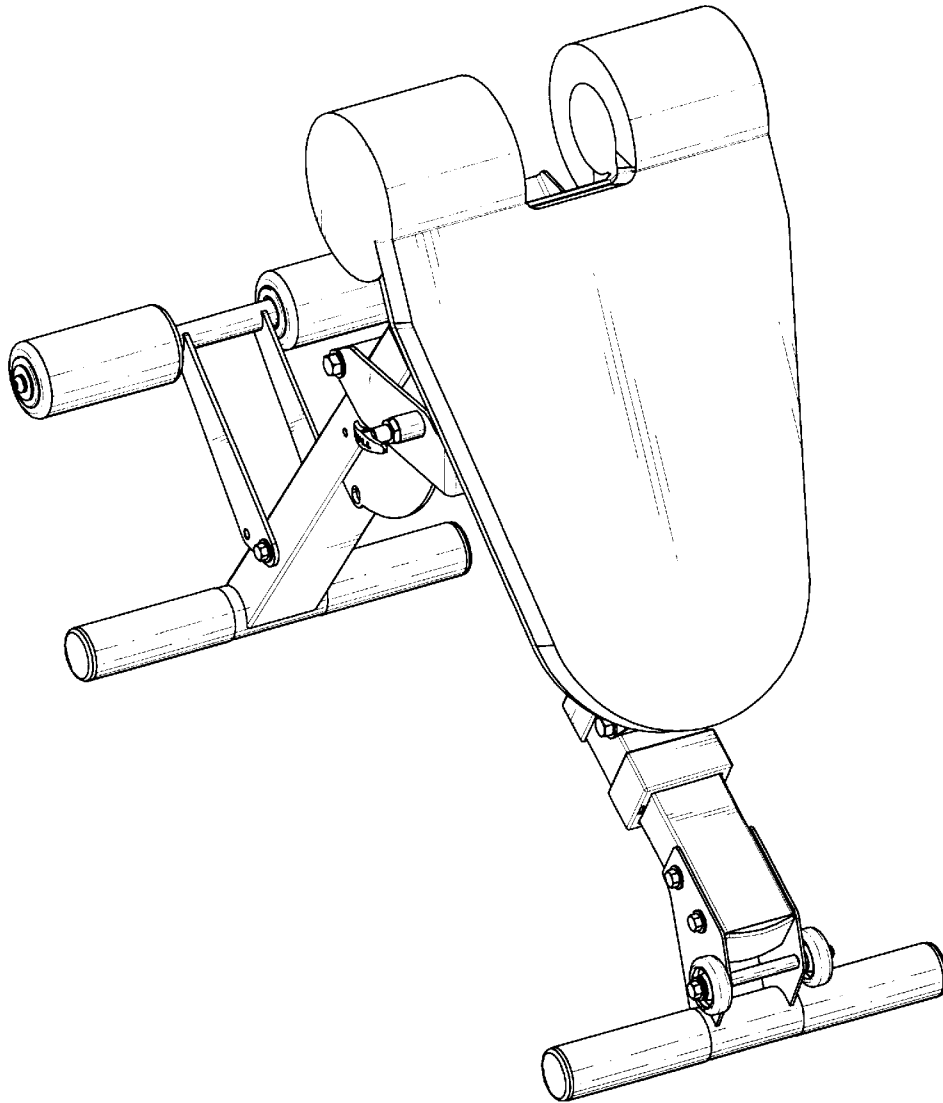


FIG. 10

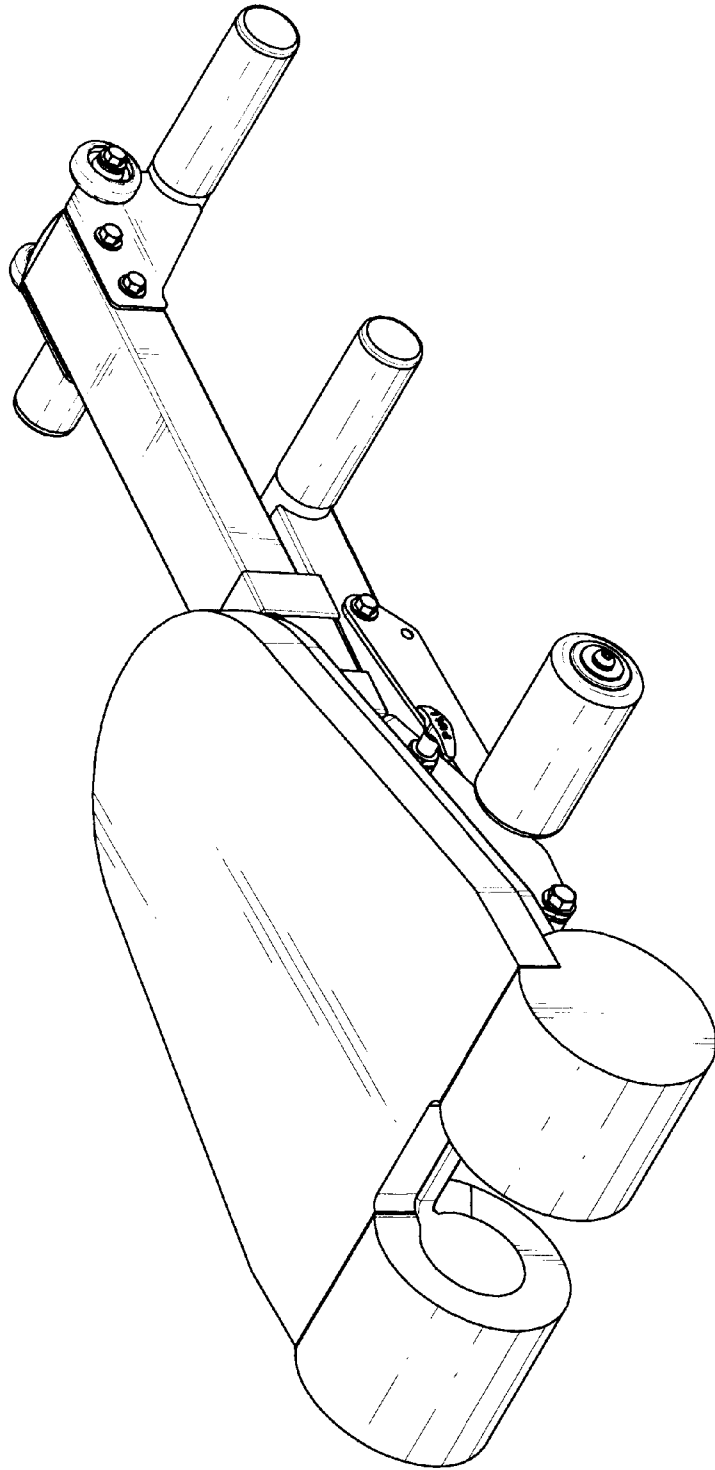


FIG. 11

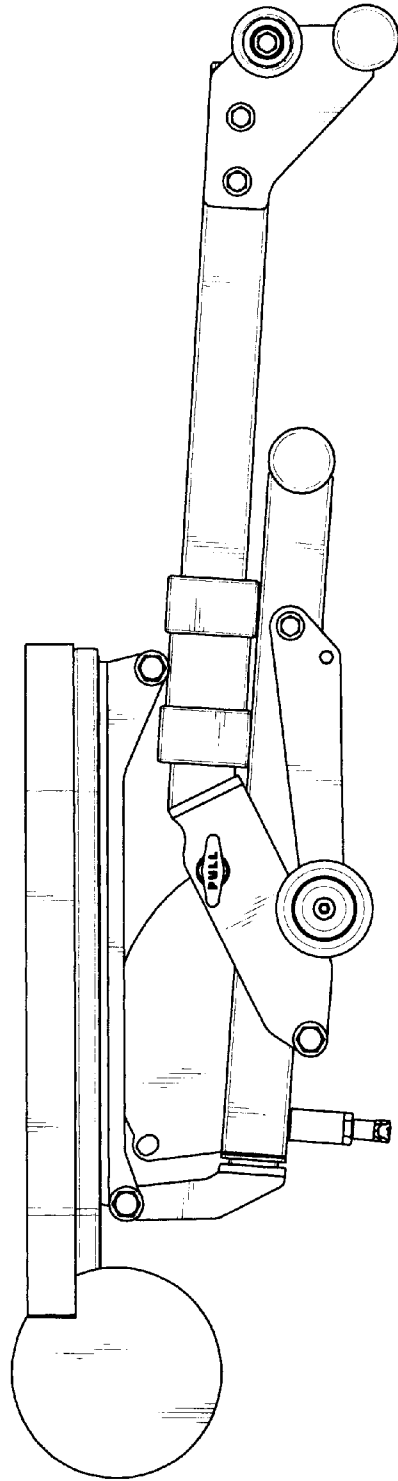


FIG. 12

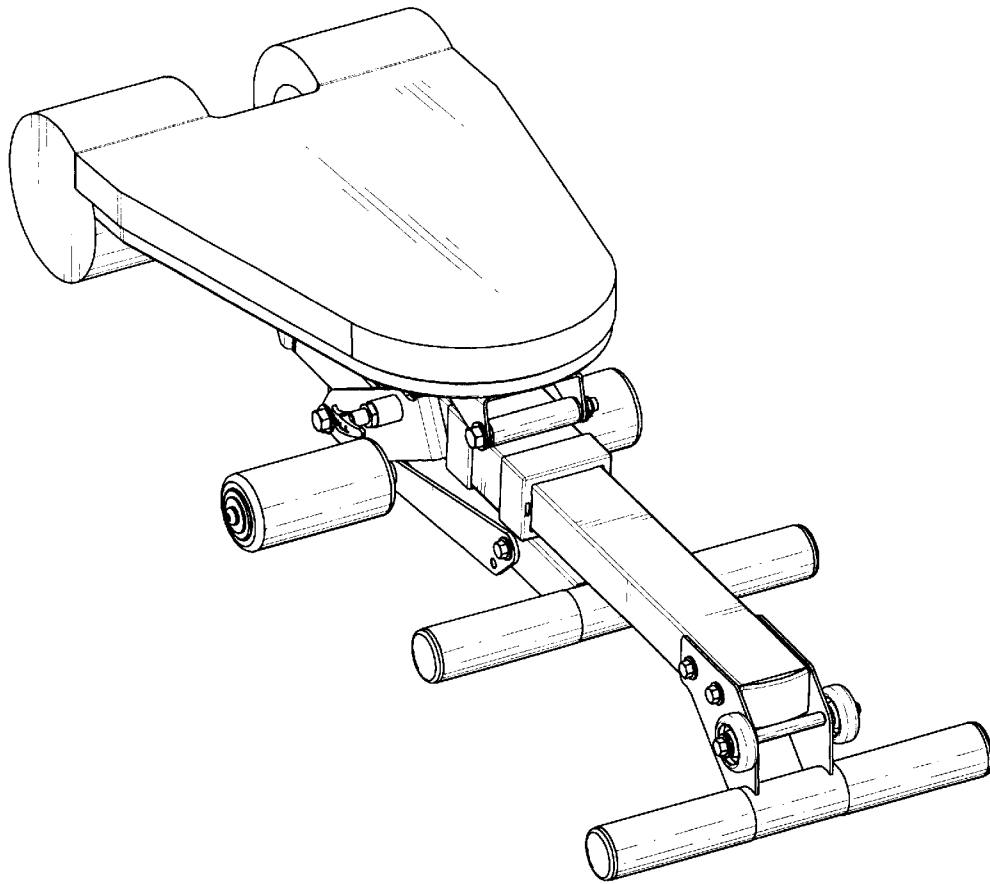


FIG. 13