



US00D436111S

(12) **United States Design Patent**
Hahn et al.

(10) **Patent No.:** **US D436,111 S**

(45) **Date of Patent:** **** Jan. 9, 2001**

- (54) **FILAMENT CARTRIDGE**
- (75) Inventors: **Andrew M. Hahn, Anaheim; Daniel I. Kimm, Leucadia, both of CA (US)**
- (73) Assignee: **Stratasys, Inc., Eden Prairie, MN (US)**
- (**) Term: **14 Years**
- (21) Appl. No.: **29/120,905**
- (22) Filed: **Mar. 28, 2000**
- (51) **LOC (7) Cl.** **14-99**
- (52) **U.S. Cl.** **D14/475**
- (58) **Field of Search** D14/474-480;
242/335, 348, 341, 370; 360/132, 133,
134, 135, 900

- D. 312,823 * 12/1990 LaCourt et al. D14/476
- D. 352,305 * 11/1994 Cooper D14/475 X
- 3,008,661 * 11/1961 Estes et al. D14/481 X
- 4,054,344 * 10/1977 Fujimoto et al. 206/387
- 4,674,000 * 6/1987 Lee 360/132

* cited by examiner

Primary Examiner—Prabhakar Deshmukh
(74) *Attorney, Agent, or Firm*—Kinney & Lange, PA

(57) **CLAIM**

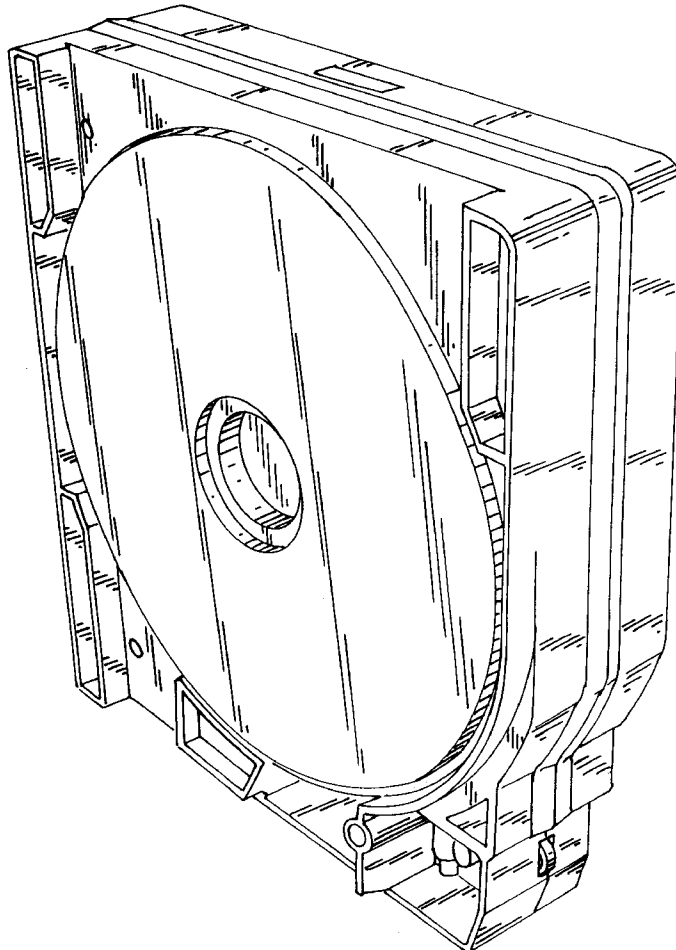
The ornamental design for a filament cartridge, as shown.

DESCRIPTION

- FIG. 1 is a perspective view;
- FIG. 2 is a rear elevational view;
- FIG. 3 is a front elevational view;
- FIG. 4 is a left side view;
- FIG. 5 is a right side view;
- FIG. 6 is a top plan view; and,
- FIG. 7 is a bottom plan view.

- (56) **References Cited**
U.S. PATENT DOCUMENTS
- D. 263,222 * 3/1982 Driscoll D14/479
- D. 282,357 * 1/1986 Gell D14/475
- D. 284,654 * 7/1986 Sandell et al. D14/481

1 Claim, 5 Drawing Sheets



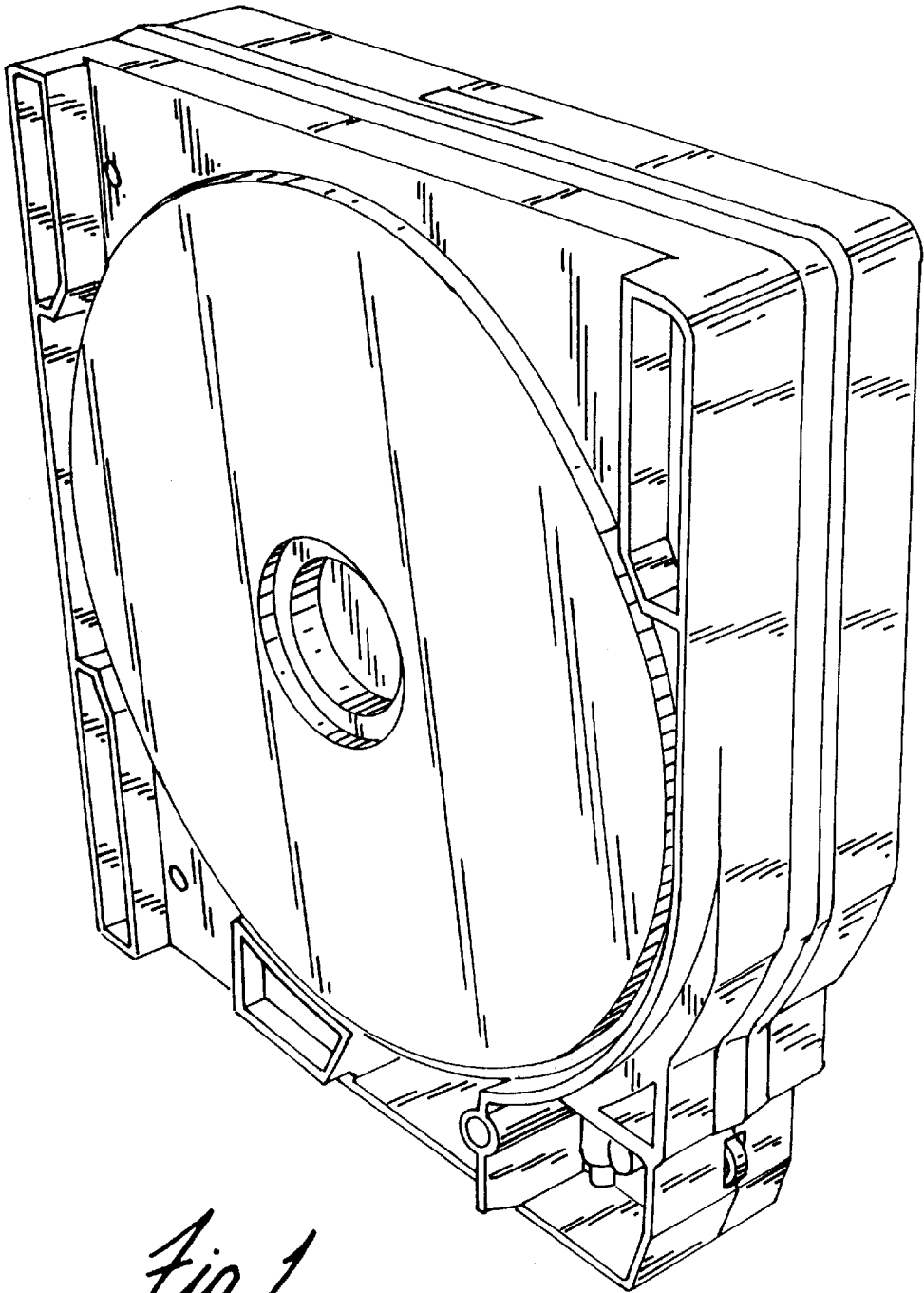


Fig. 1

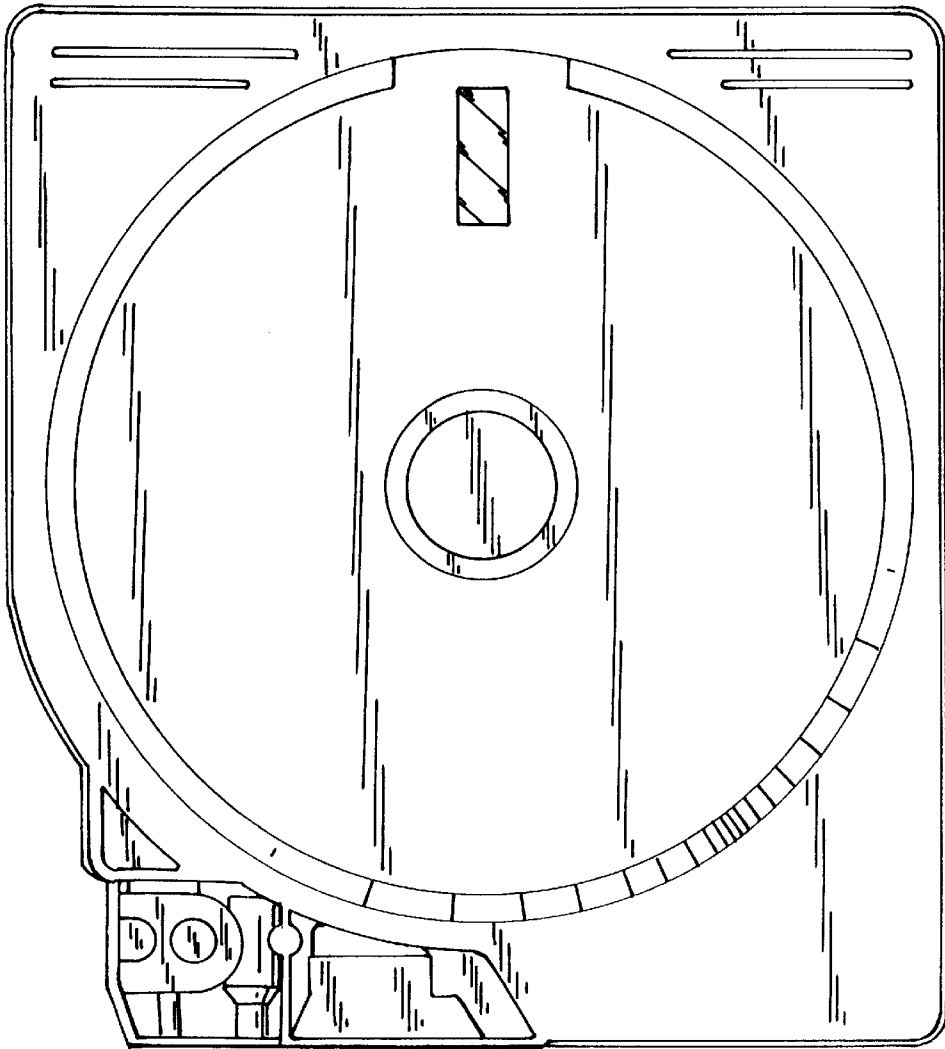


Fig. 2

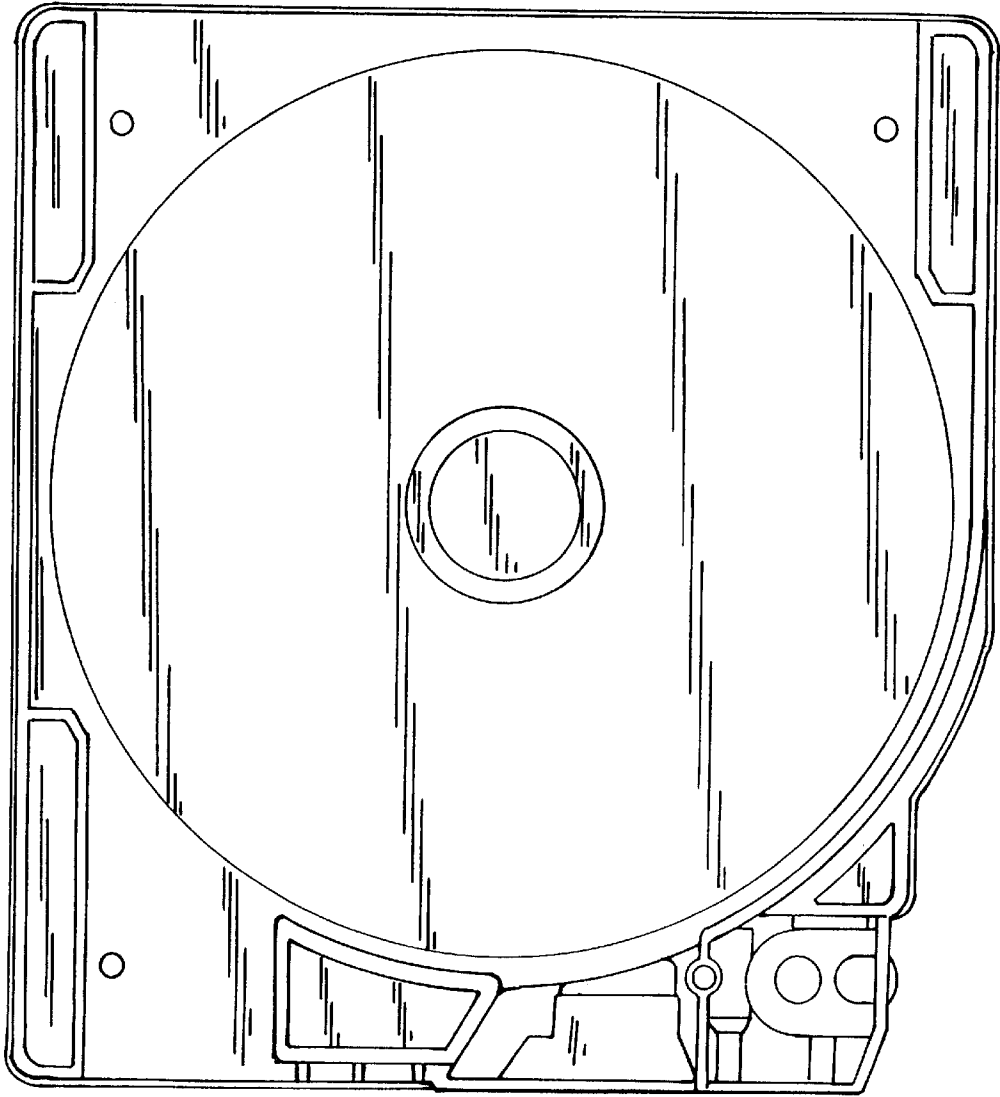


Fig. 3

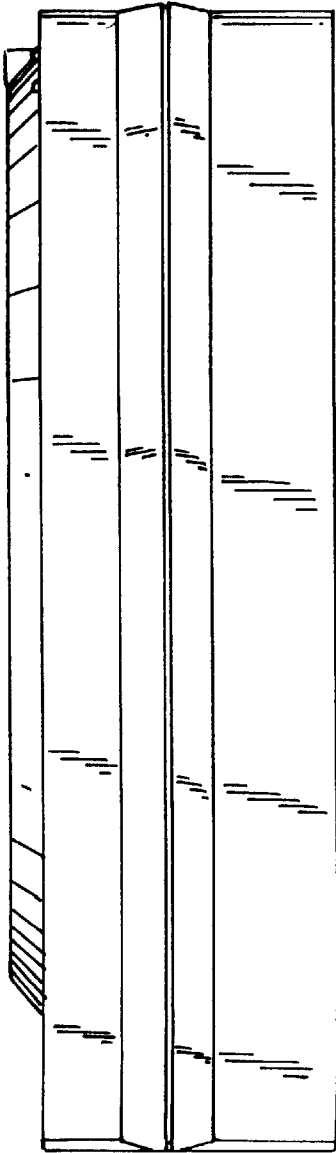


Fig. 4

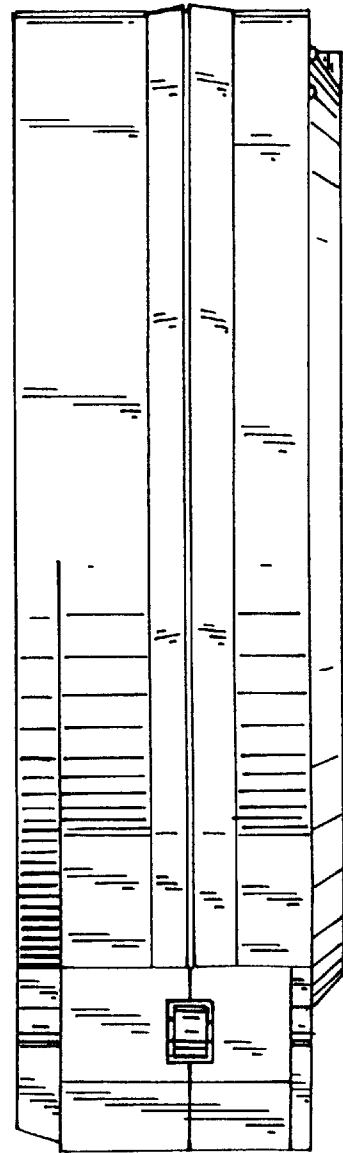


Fig. 5

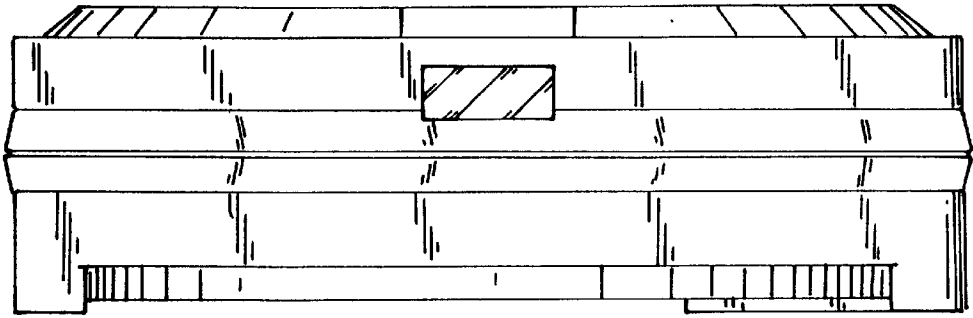


Fig. 6

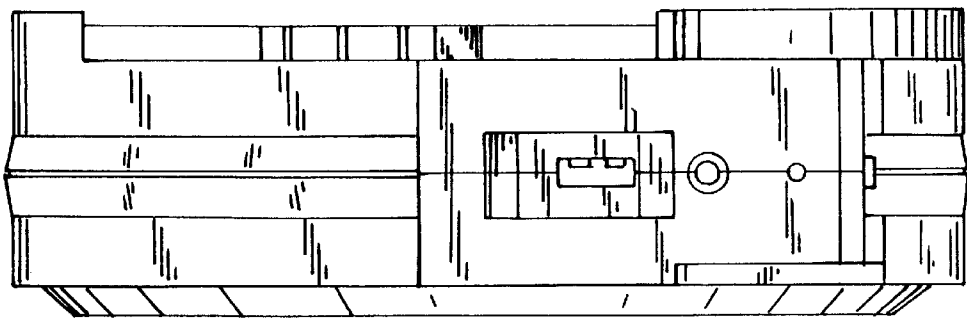


Fig. 7