



US00D723898S

(12) **United States Design Patent**
Smith et al.

(10) **Patent No.:** **US D723,898 S**

(45) **Date of Patent:** **** Mar. 10, 2015**

(54) **ABRASIVE SHARPENER**

(71) Applicants: **Richard S. Smith**, Hot Springs, AR
(US); **Louis Chalfant**, Hot Springs, AR
(US)

(72) Inventors: **Richard S. Smith**, Hot Springs, AR
(US); **Louis Chalfant**, Hot Springs, AR
(US)

(73) Assignee: **Smith's Consumer Products, Inc.**, Hot
Springs, AR (US)

(**) Term: **14 Years**

(21) Appl. No.: **29/436,628**

(22) Filed: **Nov. 7, 2012**

(51) **LOC (10) Cl.** **08-05**

(52) **U.S. Cl.**
USPC **D8/93; D8/105**

(58) **Field of Classification Search**
CPC B24B 3/54; B24D 15/06; B24D 15/065;
B24D 15/081; B25F 1/00; F21V 33/0084;
F23Q 1/102
USPC D7/416; D8/90-94, 105; 451/461, 486,
451/552, 555-558
See application file for complete search history.

(56) **References Cited**

U.S. PATENT DOCUMENTS

1,041,631	A *	10/1912	Johnson	451/486
D276,885	S *	12/1984	Hall	D8/93
D277,166	S *	1/1985	Call	D8/93
D286,738	S *	11/1986	Lucko	D8/91
D294,649	S *	3/1988	Carr et al.	D7/416
D296,016	S *	5/1988	Carr et al.	D7/416
D304,153	S *	10/1989	Reichow	D8/93
D404,278	S *	1/1999	Gore	D8/93
D456,559	S *	4/2002	Chandaria	D27/139
6,782,576	B1 *	8/2004	Valencic et al.	7/158
D578,581	S *	10/2008	Smith	D21/667
8,186,995	B2 *	5/2012	Putrello, Jr.	431/273

D679,141	S *	4/2013	Slack	D7/416
8,512,105	B2 *	8/2013	Smith	451/461
2009/0199941	A1 *	8/2009	Toner et al.	150/143
2011/0072705	A1 *	3/2011	Simpkins	42/59
2014/0127984	A1 *	5/2014	Smith et al.	451/461

OTHER PUBLICATIONS

Multi-functional Knife Sharpener. Snagged May 20, 2014 from
<http://www.smithsproducts.com/blog/post/smithss-expands-its-pocket-pal-line-of-multi-functional-knife-sharpeners/>.*

* cited by examiner

Primary Examiner — Philip S Hyder

Assistant Examiner — Roselyne Cody

(74) *Attorney, Agent, or Firm* — Edward D Gilhooly

(57)

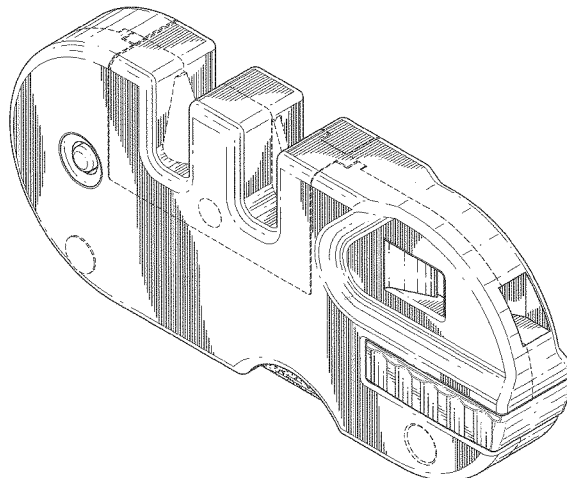
CLAIM

The ornamental design for an abrasive sharpener, as shown and described.

DESCRIPTION

FIG. 1 is a front perspective view of the design for an abrasive sharpener of the invention with an abrasive rod and fire starter in a stored position; FIG. 2 is a right side elevational view, viewing FIG. 4, of the abrasive sharpener of FIG. 1; FIG. 3 is a left side elevational view, viewing FIG. 4, of the abrasive sharpener of FIG. 1; FIG. 4 is a front elevational view of the abrasive sharpener of FIG. 1; FIG. 5 is a rear elevational view of the abrasive sharpener of FIG. 1; FIG. 6 is a top plan view of the abrasive sharpener of FIG. 1; FIG. 7 is a bottom plan view of the abrasive sharpener of FIG. 1; FIG. 8 is a front elevational view of the abrasive sharpener of FIG. 1 with the internal abrasive rod in an exterior position; and, FIG. 9 is a front perspective view of the abrasive sharpener of FIG. 1 with the fire starter in an exploded position. The broken lines in the figures illustrate portions of the abrasive sharpener of the invention that form no part of the claim.

1 Claim, 7 Drawing Sheets



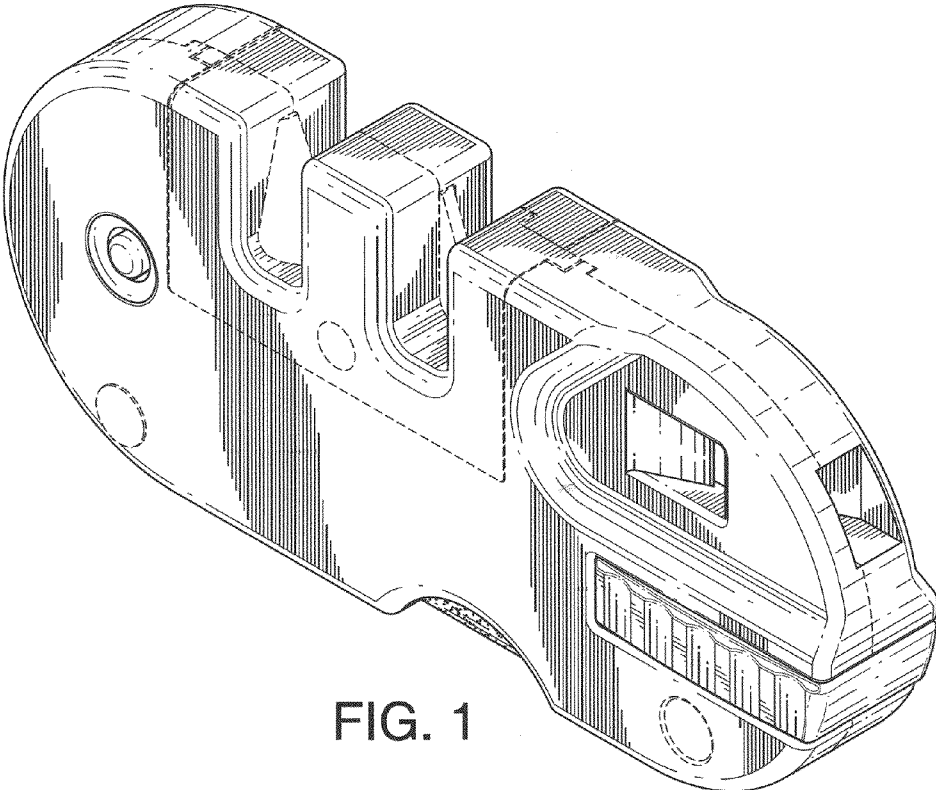


FIG. 1

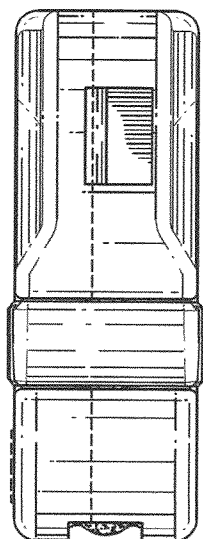


FIG. 2

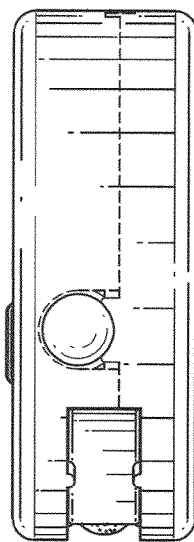


FIG. 3

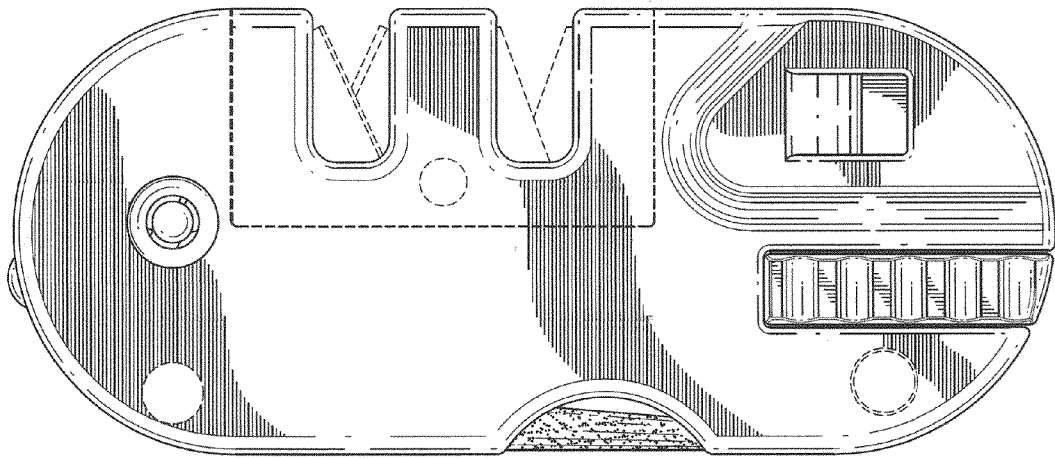


FIG. 4

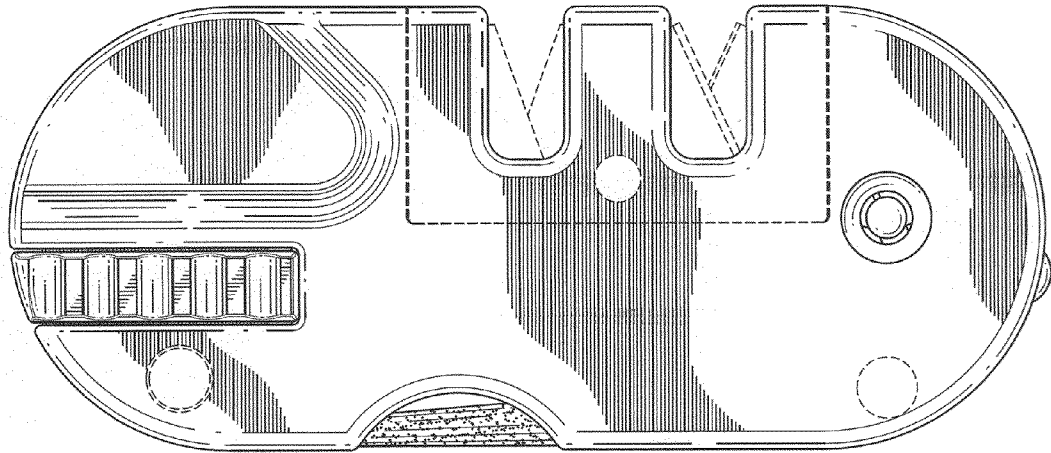


FIG. 5

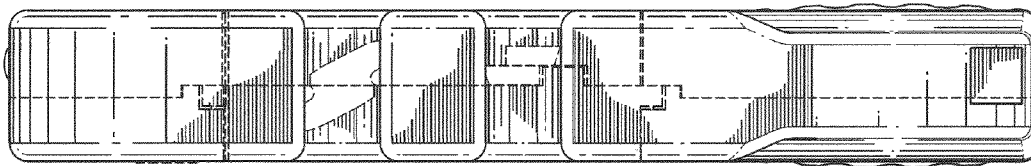


FIG. 6

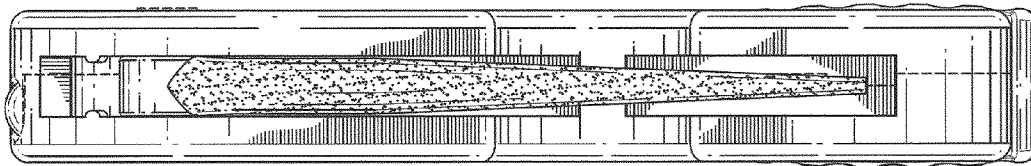


FIG. 7

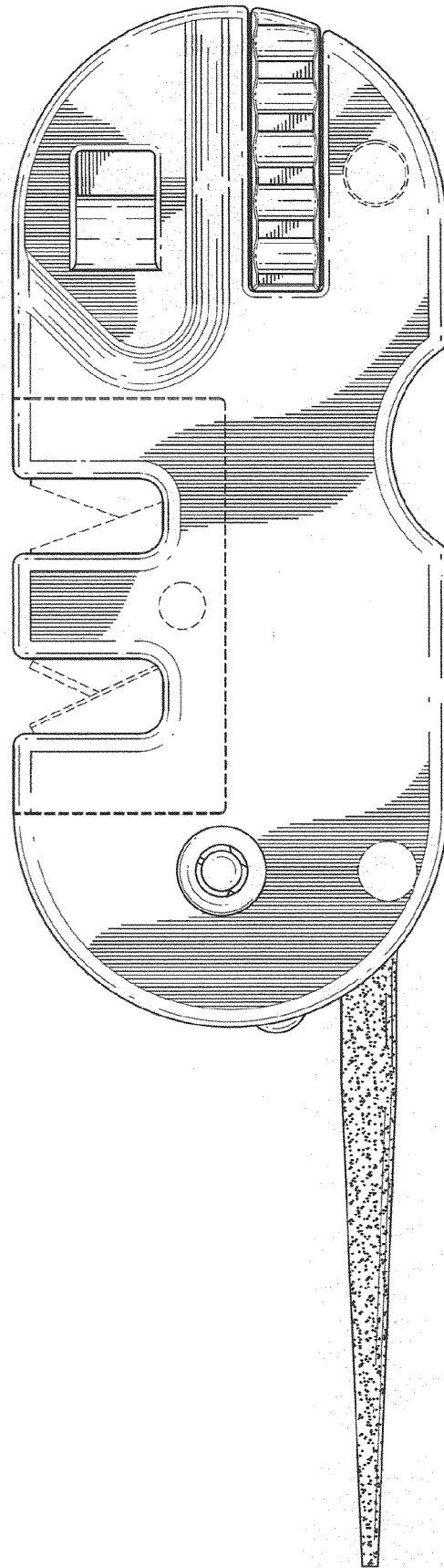


FIG. 8

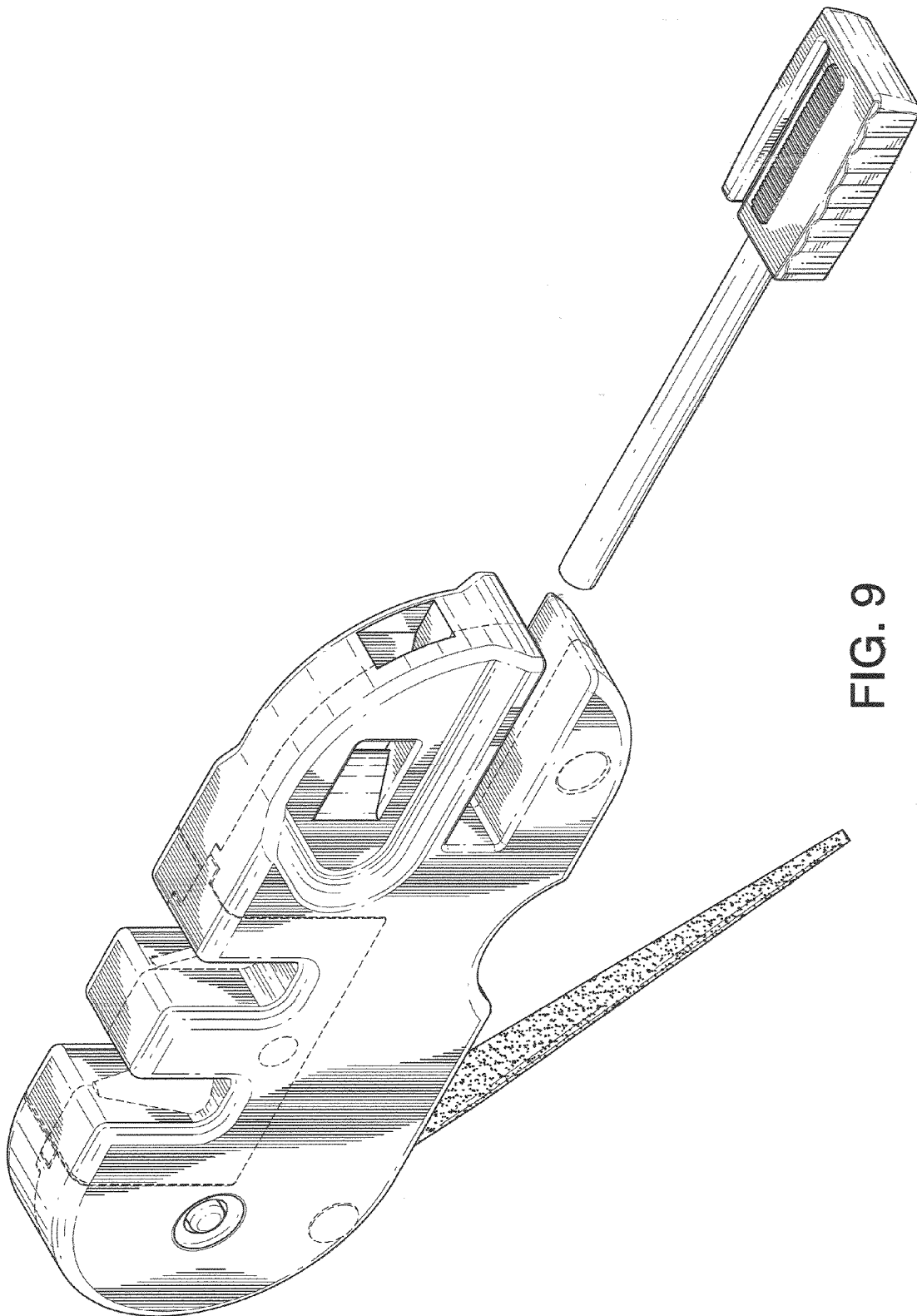


FIG. 9