



US00D747239S

(12) **United States Design Patent**
Wyers

(10) **Patent No.:** **US D747,239 S**

(45) **Date of Patent:** **** Jan. 12, 2016**

(54) **ADJUSTABLE HEIGHT DRAW BAR FOR TRAILER HITCHES**

(71) Applicant: **Philip Warren Wyers**, Centennial, CO (US)

(72) Inventor: **Philip Warren Wyers**, Centennial, CO (US)

(**) Term: **14 Years**

(21) Appl. No.: **29/474,475**

(22) Filed: **Oct. 1, 2014**

(51) **LOC (10) Cl.** **12-16**

(52) **U.S. Cl.**
USPC **D12/162**

(58) **Field of Classification Search**
USPC D12/162, 159, 160, 161
CPC B60D 1/065; B60D 1/00; B60D 1/60; B60D 1/06
See application file for complete search history.

(56) **References Cited**

U.S. PATENT DOCUMENTS

D705,704 S * 5/2014 Lane D12/162
D708,099 S * 7/2014 Oman D12/162

D709,804 S * 7/2014 Provost D12/162
D709,805 S * 7/2014 Hill D12/162
D714,194 S * 9/2014 DePietro D12/162
D729,703 S * 5/2015 Song D12/162
D729,704 S * 5/2015 Song D12/162
D737,734 S * 9/2015 McGinnes D12/162
D738,796 S * 9/2015 DePietro D12/162

* cited by examiner

Primary Examiner — Katrina A Betton

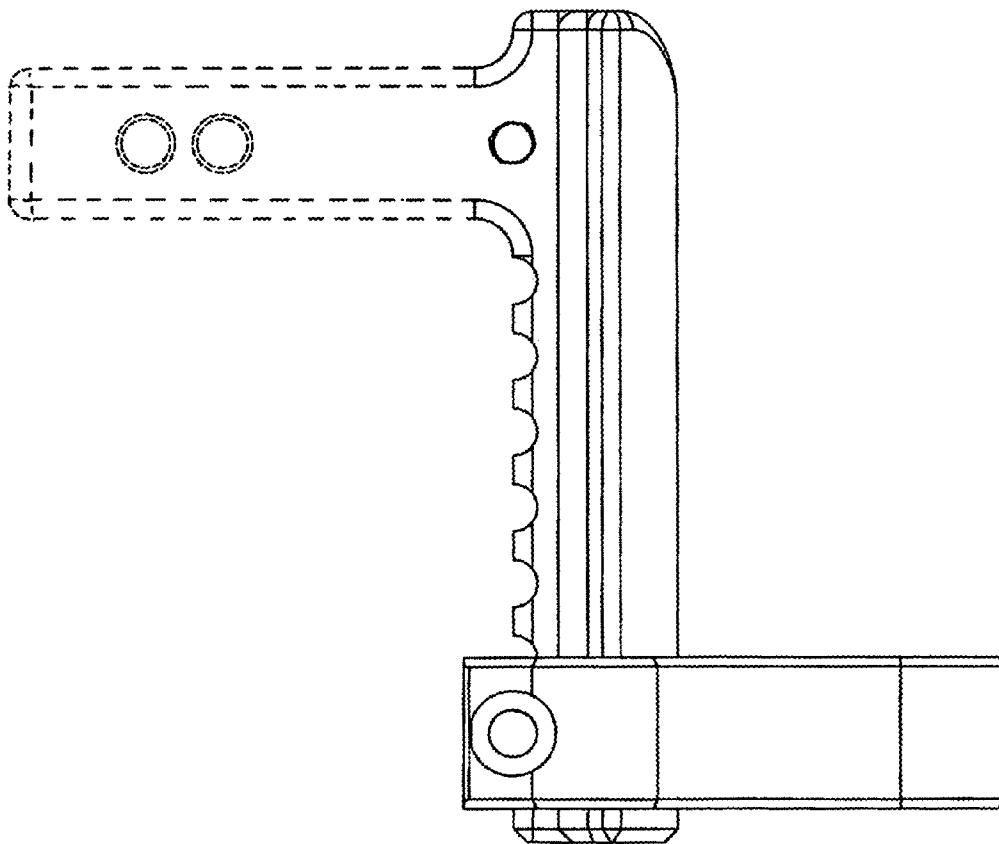
(57) **CLAIM**

The ornamental design for a adjustable height draw bar for trailer hitches, as shown and described.

DESCRIPTION

FIG. 1 is a rear perspective view of and adjustable height draw bar for trailer hitches showing my new design.
FIG. 2 is a rear elevation view
FIG. 3 is a front elevation view
FIG. 4 is a top plan view
FIG. 5 is a right elevation view; and,
FIG. 6 is a bottom plan view.
In the drawings, the broken lines in the figures depict portions of the article that form no part of the claimed design.

1 Claim, 3 Drawing Sheets



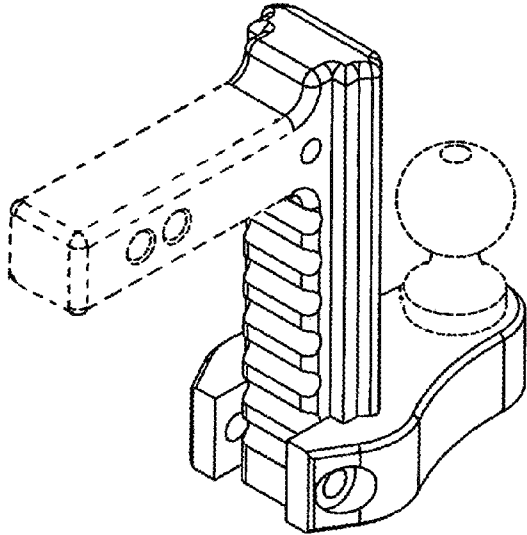


Fig. 1

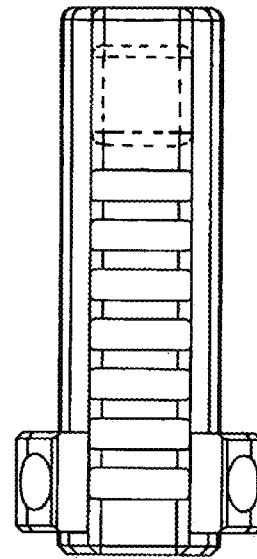


Fig. 2

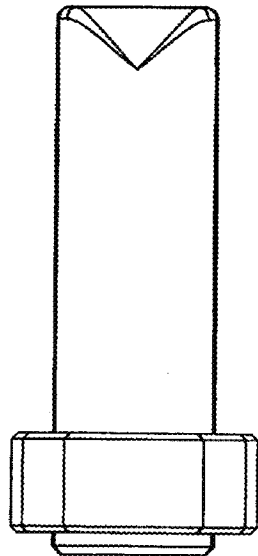


Fig. 3

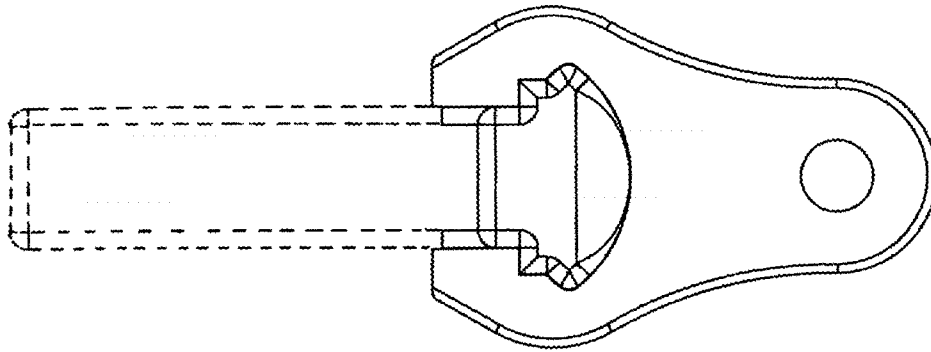


Fig. 4

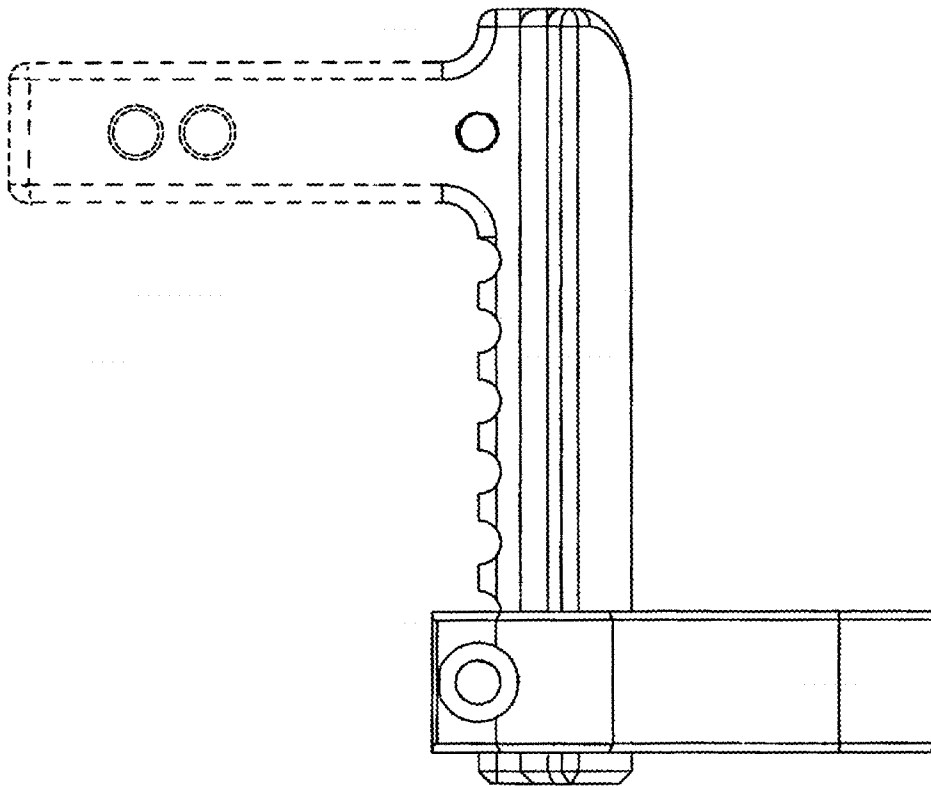


Fig. 5

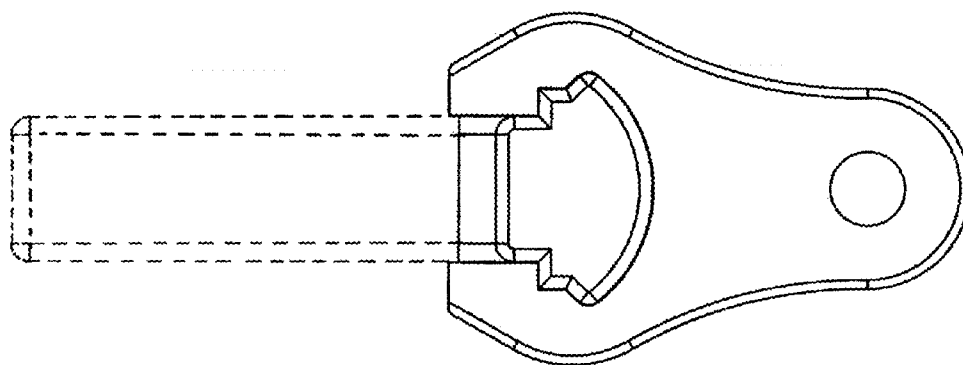


Fig. 6