



US00D874635S

(12) **United States Design Patent**  
**Holmes et al.**

(10) **Patent No.:** **US D874,635 S**

(45) **Date of Patent:** **\*\* Feb. 4, 2020**

(54) **CEILING FAN**  
(71) Applicant: **Hunter Fan Company**, Memphis, TN (US)

D771,860 S \* 11/2016 Weiss ..... D26/110  
D778,422 S 2/2017 Gajewski  
D795,410 S 8/2017 Holmes  
(Continued)

(72) Inventors: **Christine Holmes**, Memphis, TN (US);  
**Claire Bernice McRoberts**, Memphis, TN (US)

**OTHER PUBLICATIONS**

<http://www.hunterfan.com/Ceiling-Fans/Windemere?ModelNumber=59039>, Hunter Fan Windemere 54" Ceiling Fan with 5 Burnished Walnut/Mahogany Reversible Blades included, Model No. 59039, accessed Sep. 27, 2017.

(Continued)

(\*\*) Term: **15 Years**

*Primary Examiner* — Cathron C Brooks

*Assistant Examiner* — Sharon S Oum

(21) Appl. No.: **29/640,991**

(74) *Attorney, Agent, or Firm* — McGarry Bair PC

(22) Filed: **Mar. 19, 2018**

(51) **LOC (12) Cl.** ..... **23-04**

(57) **CLAIM**

(52) **U.S. Cl.** ..... **D23/377**

The ornamental design for a ceiling fan, as shown and described.

(58) **Field of Classification Search**  
USPC ..... D23/370–385, 411–414; D26/59, 85, 86, D26/89, 90  
CPC ..... F04D 25/088; F04D 29/38; F04D 29/384; F04D 29/386; F21V 33/0096  
See application file for complete search history.

**DESCRIPTION**

FIG. 1 is a top perspective view of a ceiling fan, showing our new design;

FIG. 2 is a bottom perspective view of the ceiling fan of FIG. 1;

FIG. 3 is a top view of the ceiling fan of FIG. 1;

FIG. 4 is a bottom view of the ceiling fan of FIG. 1;

FIG. 5 is a front view of the ceiling fan of FIG. 1;

FIG. 6 is a rear view of the ceiling fan of FIG. 1;

FIG. 7 is a left side view of the ceiling fan of FIG. 1; and, FIG. 8 is a right side view of the ceiling fan of FIG. 1.

Portions of the ceiling fan shown in broken lines form no part of the claimed design.

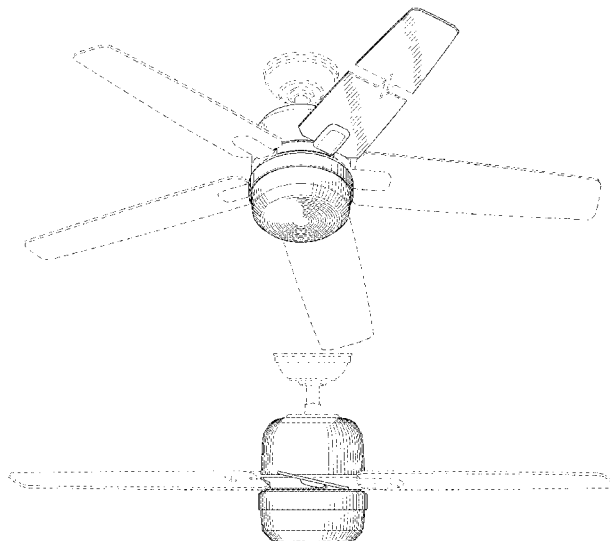
The ceiling fan blade is shown with a symbolic break in its length. The appearance of any portion of the ceiling fan blade between the break lines forms no part of the claimed design.

(56) **References Cited**

**U.S. PATENT DOCUMENTS**

|              |         |                  |       |         |
|--------------|---------|------------------|-------|---------|
| D314,618 S * | 2/1991  | Yen              | ..... | D23/377 |
| D328,951 S * | 8/1992  | Scotfield        | ..... | D23/411 |
| D414,857 S * | 10/1999 | Zuege            | ..... | D23/377 |
| D430,280 S   | 8/2000  | Huang            |       |         |
| D431,307 S * | 9/2000  | Zelina, Jr.      | ..... | D26/24  |
| D484,967 S * | 1/2004  | Huang            | ..... | D23/411 |
| D575,862 S * | 8/2008  | McCalla          | ..... | D23/377 |
| D599,900 S   | 9/2009  | Chen             |       |         |
| D627,874 S * | 11/2010 | Pan              | ..... | D23/411 |
| D628,688 S * | 12/2010 | Pan              | ..... | D23/377 |
| D632,381 S   | 2/2011  | Davenport et al. |       |         |
| D707,336 S * | 6/2014  | Pan              | ..... | D23/377 |
| D715,917 S   | 10/2014 | Hidalgo          |       |         |
| D759,799 S   | 6/2016  | Wang             |       |         |

**1 Claim, 8 Drawing Sheets**



(56)

## References Cited

## U.S. PATENT DOCUMENTS

|              |      |         |           |                          |
|--------------|------|---------|-----------|--------------------------|
| D796,024     | S    | 8/2017  | Holmes    |                          |
| D803,384     | S    | 11/2017 | Wang      |                          |
| D804,630     | S *  | 12/2017 | Holmes    | D23/377                  |
| D804,639     | S *  | 12/2017 | Guthrie   | D23/377                  |
| D805,174     | S *  | 12/2017 | Guthrie   | D23/377                  |
| D805,625     | S *  | 12/2017 | Hagggar   | D23/377                  |
| D808,002     | S *  | 1/2018  | Holmes    | D23/377                  |
| D808,510     | S *  | 1/2018  | Gajewski  | D23/377                  |
| D809,644     | S *  | 2/2018  | Holmes    | D23/377                  |
| D810,915     | S *  | 2/2018  | Guthrie   | D23/377                  |
| D810,917     | S *  | 2/2018  | Holmes    | D23/377                  |
| D824,558     | S *  | 7/2018  | Guthrie   | D26/59                   |
| D826,394     | S *  | 8/2018  | Biancuzzo | D23/411                  |
| D833,594     | S *  | 11/2018 | Wang      | D23/377                  |
| D834,734     | S *  | 11/2018 | Guthrie   | D26/59                   |
| D850,605     | S *  | 6/2019  | Ertze     | D23/377                  |
| D853,611     | S *  | 7/2019  | McRoberts | D26/59                   |
| D855,172     | S *  | 7/2019  | Holmes    | D23/411                  |
| D855,788     | S *  | 8/2019  | Hagggar   | D23/377                  |
| D855,789     | S *  | 8/2019  | Hagggar   | D23/377                  |
| 2015/0078906 | A1 * | 3/2015  | Wang      | F04D 25/088<br>416/219 R |
| 2018/0128276 | A1 * | 5/2018  | Li        | F04D 25/06               |
| 2018/0128277 | A1 * | 5/2018  | Chia      | F04D 25/088              |

## OTHER PUBLICATIONS

<http://www.hunterfan.com/Ceiling-Fans/Apex?ModelNumber=59156>, Hunter Fan Apex 54" Ceiling Fan with 5 Light Grey/Grey Walnut Reversible Composite Blades included, Model No. 59156, accessed Sep. 27, 2017.

<http://www.kichler.com/products/product/60-inch-rana-fan-ni-310155ni.aspx>, Kichler Rana Collection, 60 Inch Rana Fan, Brushed Nickel, Model No. 310155NI, accessed Sep. 27, 2017.

<http://www.homedepot.com/p/Home-Decorators-Collection-Carrington-60-in-Brushed-Nickel-Ceiling-Fan-YG419-BN/205506013>, Home Decorators Collection, Carrington 60" Brushed Nickel Ceiling Fan with Light Kit, Model No. YG419-BN, accessed Sep. 27, 2017.

<http://www.fanimation.com/products/index.php/fans/pylon.html>, Fanimation Pylon, 48" Indoor fan, Model No. LP8277, accessed Sep. 27, 2017.

<http://ceilingfans.emerson.com/en/shop/fan/fan-s-all/fans-s-browse-all/atomical-fan-p-cf930>, Emerson Atomical 52" Ceiling Fan, Brushed Steel Housing, Dark Cherry Finish Blade, Model No. CF930BS, accessed Sep. 27, 2017.

<http://www.kichler.com/products/product/52-inch-vassar-led-fan-ni-330002ni.aspx>, Kichler Vassar Collection, 52 Inch Vassar LED Fan in Brushed Nickel, Model No. 330002NI, accessed Sep. 27, 2017.

<http://ceilingfans.emerson.com/en/shop/fan/maui-bay-blades-fan-b50hew>, Emerson Maui Bay Blades, Hand Carved Walnut Solid Wood Blade, Model No. B50HCW, accessed Sep. 27, 2017.

<https://www.lowes.com/pd/Progress-Lighting-North-Park-52-in-Brushed-nickel-Indoor-Downrod-Or-Close-Mount-Ceiling-Fan-4-Blade-ENERGY-STAR/50096602>, Progress Lighting North Park 52-in. Brushed Nickel Indoor Downrod or Close Mount Ceiling Fan, Model No. P2531-09, accessed Sep. 27, 2017.

<https://www.craftmade.com/wakefield-ubw48-c1>, Craftmade Wakefield 48" Ceiling Fan with Blades and Light, Model No. UBW48-C1, accessed Sep. 27, 2017.

<http://www.hunterfan.com/Ceiling-Fans?PageNumber=11>, Hunter Fan Zilker Ceiling Fan with Light, accessed Sep. 27, 2017.

<http://www.fanimation.com/products/index.php/fans/zonix-led.html>, Item Specification for Zonix LED, accessed Sep. 27, 2017.

\* cited by examiner

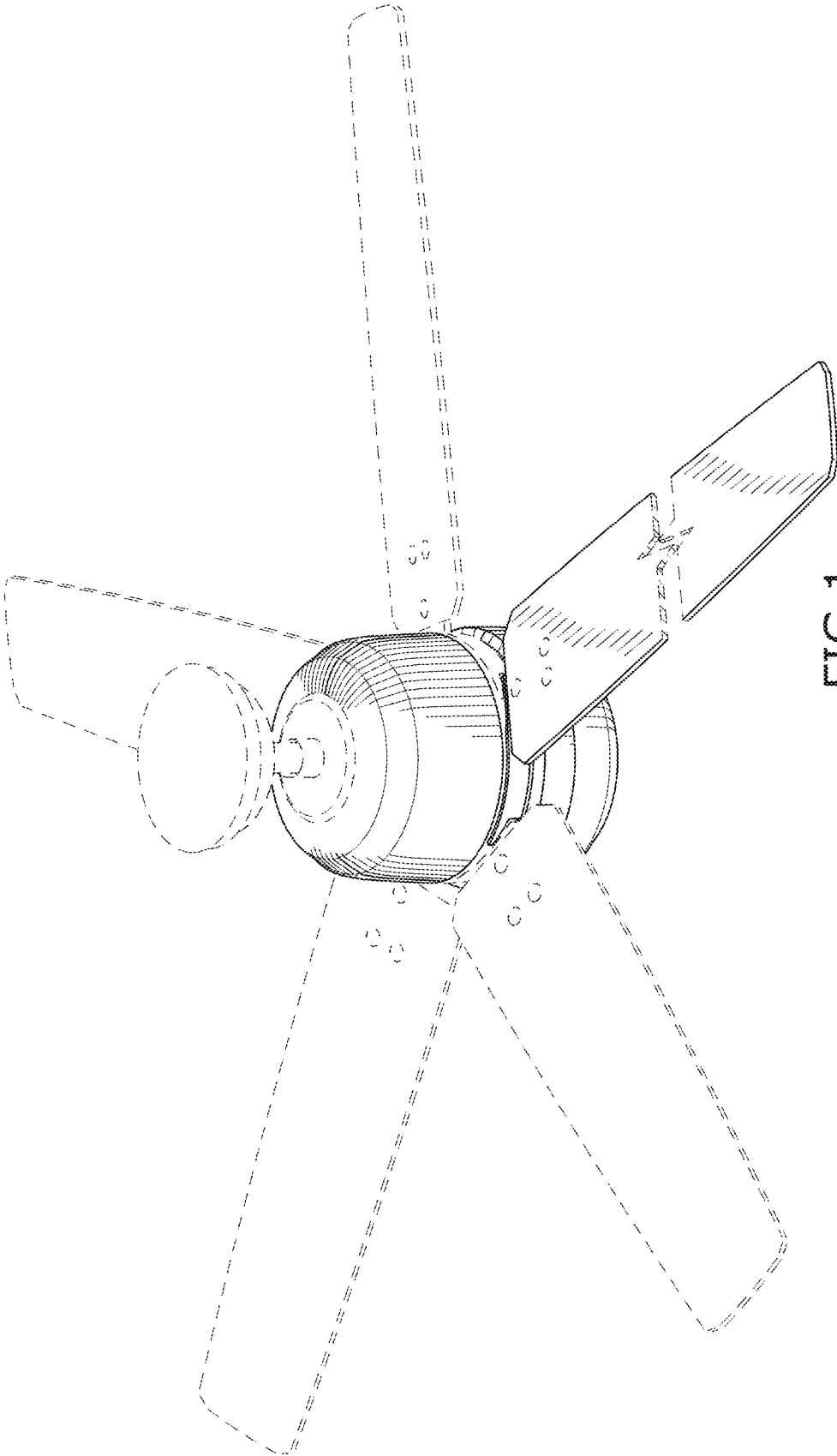


FIG.1

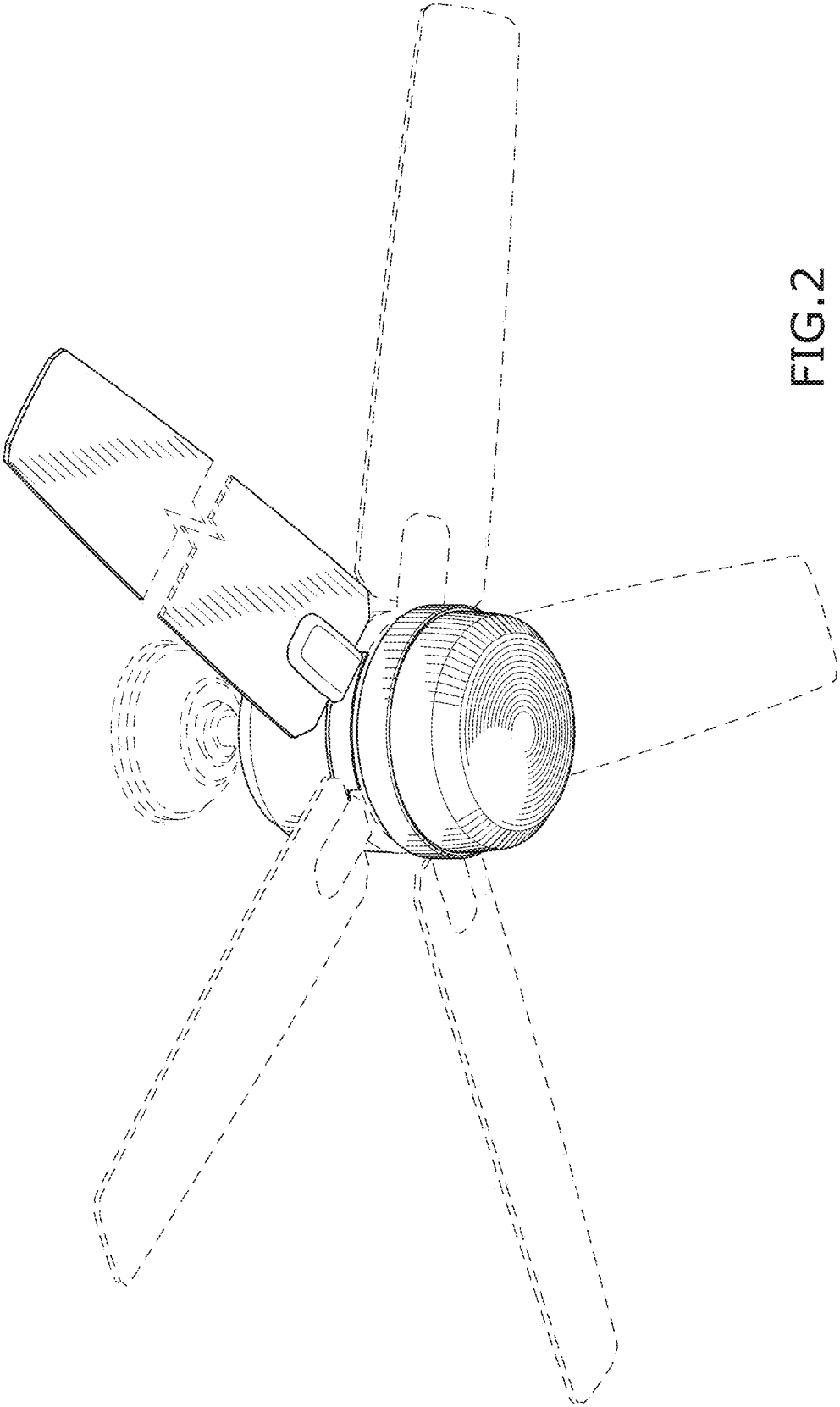


FIG.2

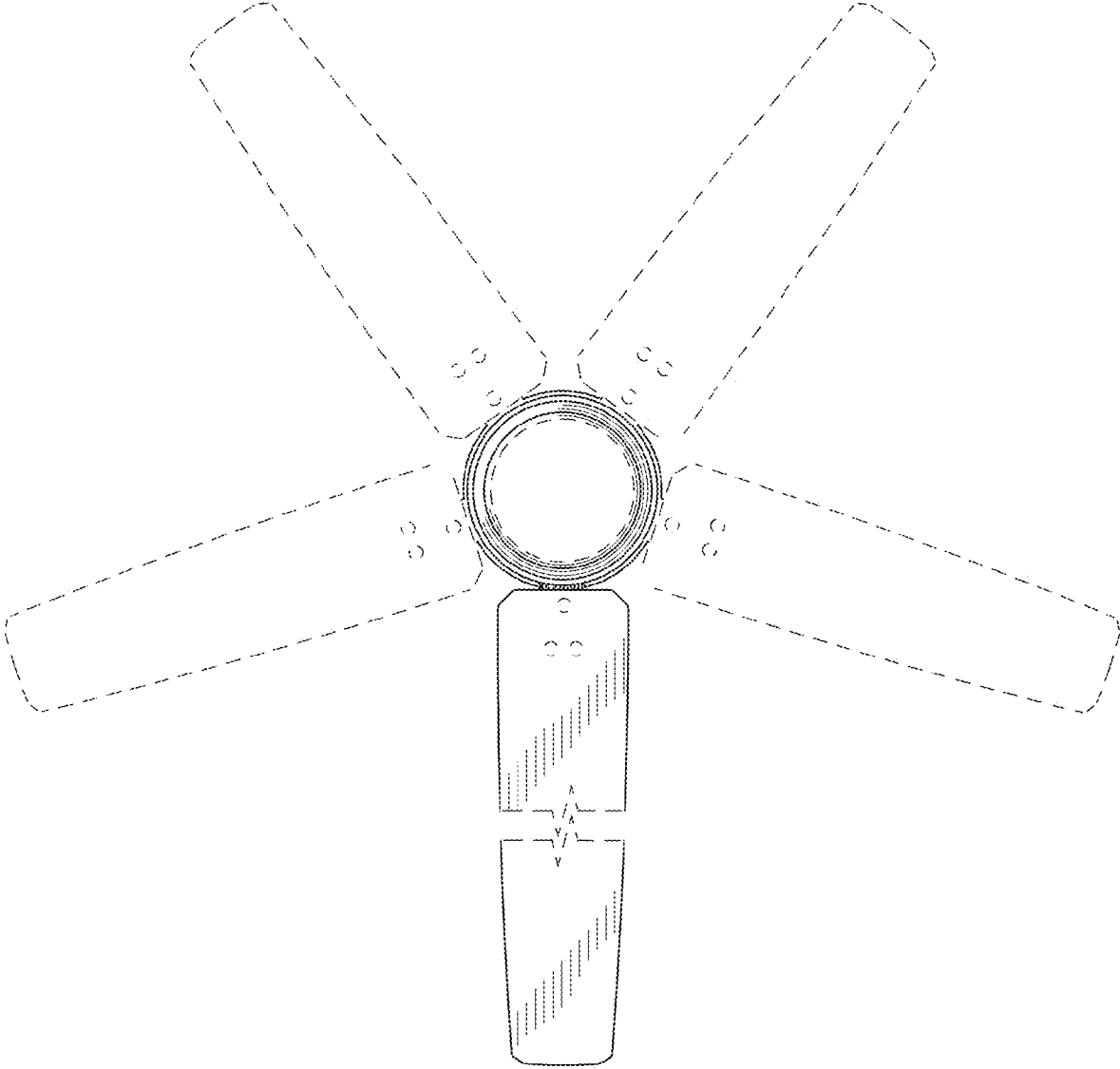


FIG. 3

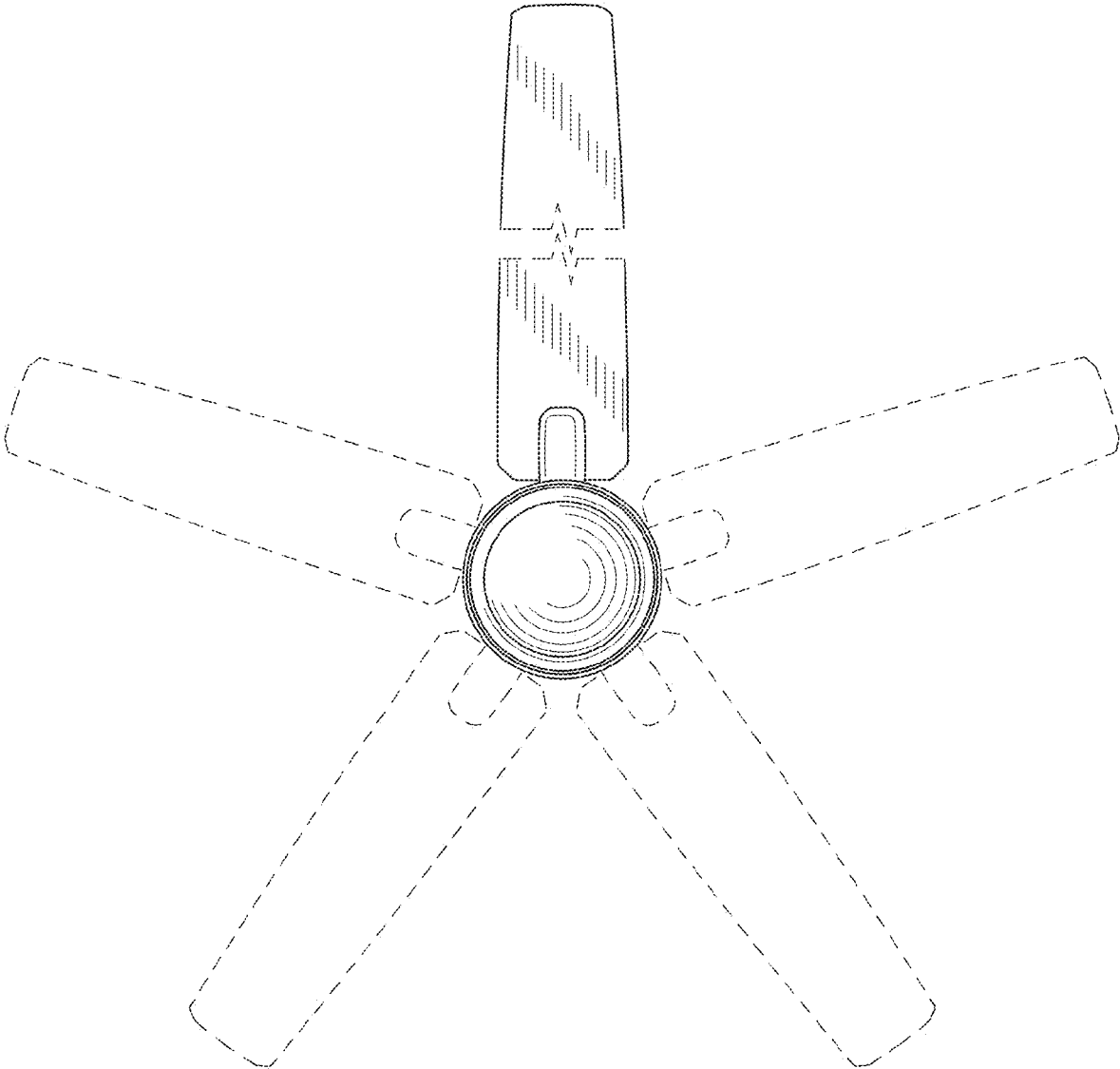


FIG.4

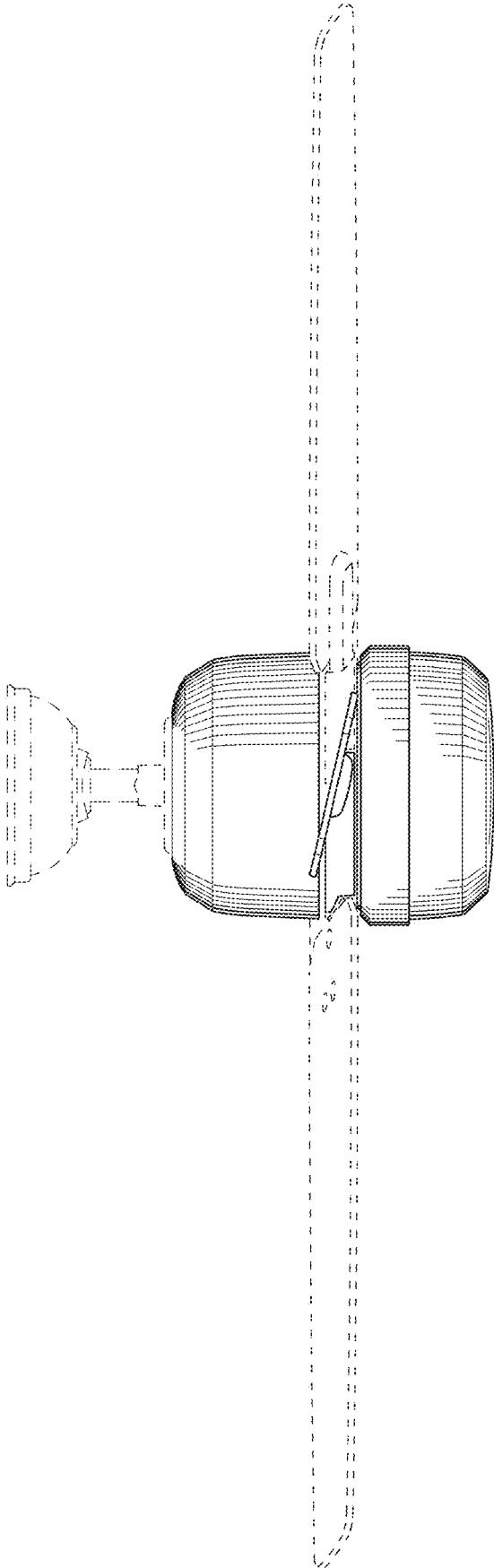


FIG. 5

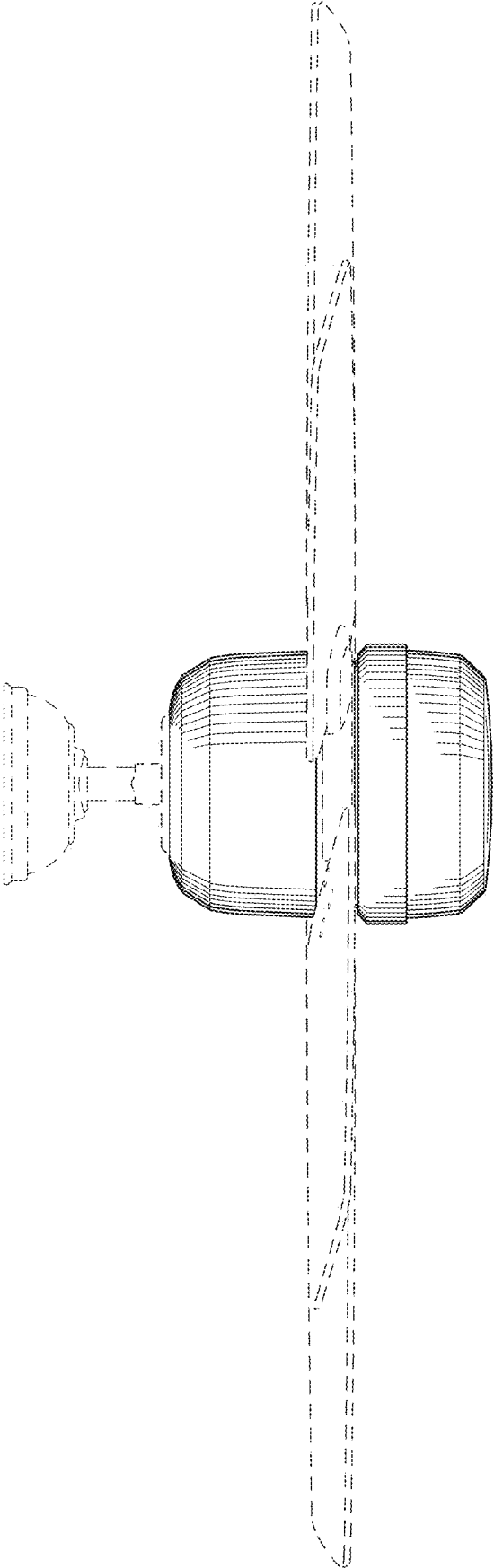


FIG.6

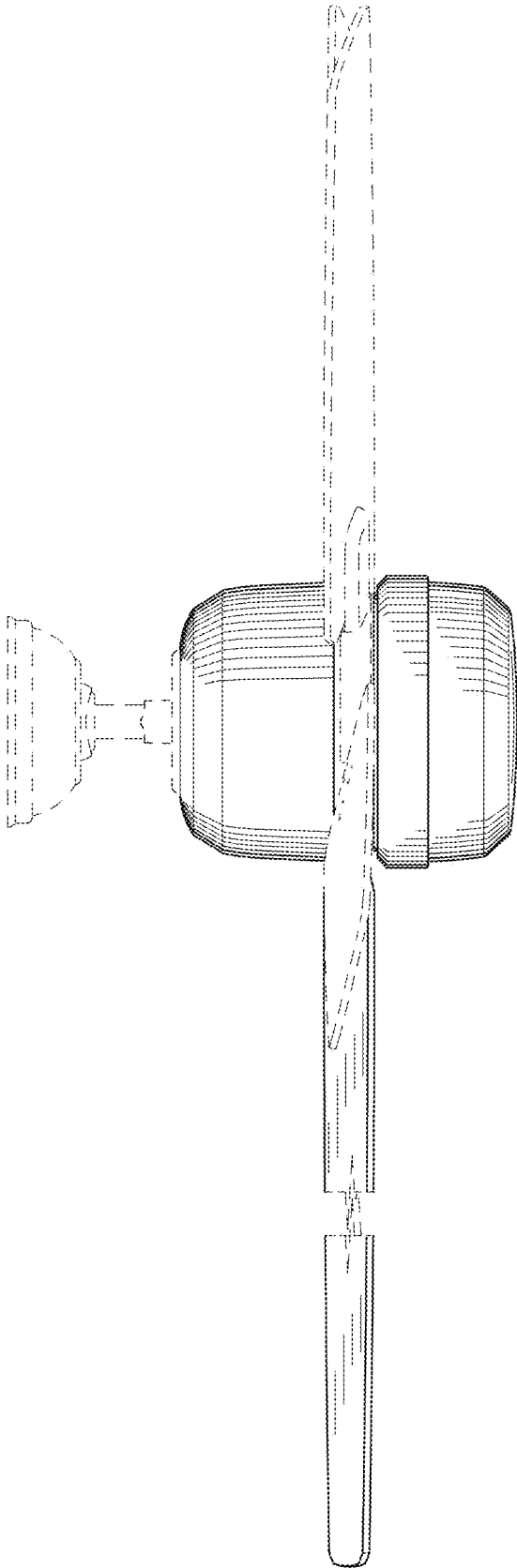


FIG.7

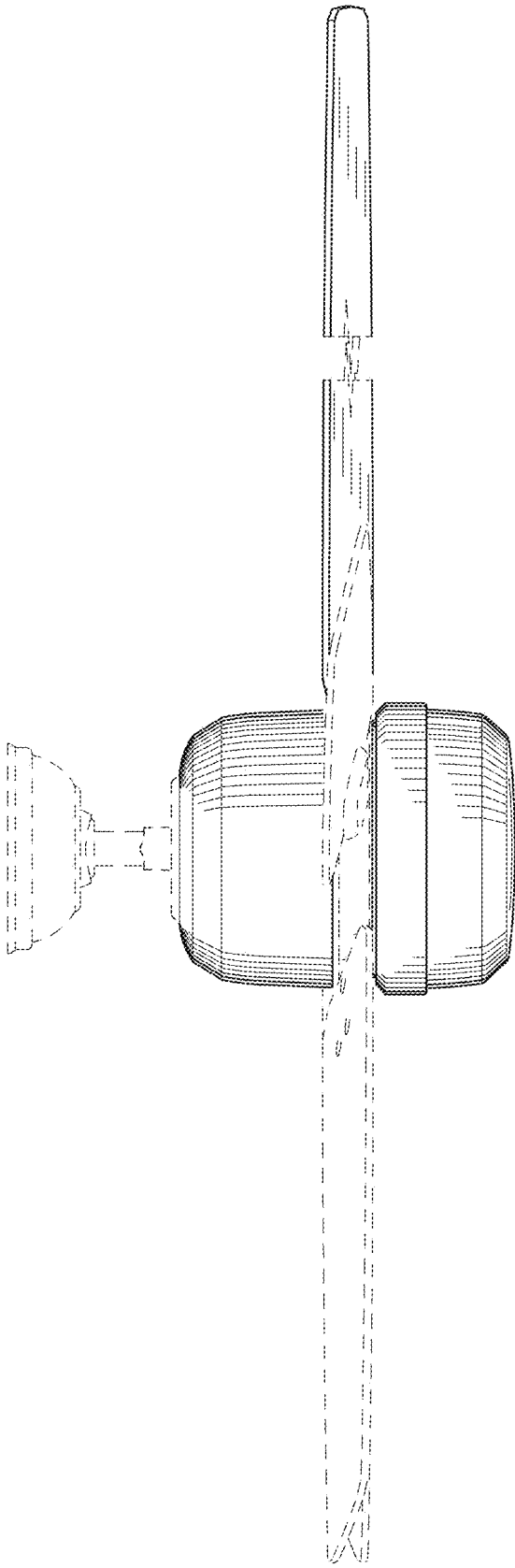


FIG.8