



US00D760965S

(12) **United States Design Patent**
Becattini, Jr. et al.

(10) **Patent No.:** **US D760,965 S**

(45) **Date of Patent:** **** Jul. 5, 2016**

(54) **PET WASTE SCOOP ASSEMBLY**

(71) Applicant: **Towerstar Pets, LLC**, Malvern, PA (US)

(72) Inventors: **Fernando Becattini, Jr.**, Malvern, PA (US); **Fernando Becattini, Sr.**, Devon, PA (US); **Jacquelyn N. Becattini**, Malvern, PA (US); **Steve A. Copeland**, Barrie (CA); **Mitchell Thompson**, Barrie (CA)

(73) Assignee: **Towerstar Pets, LLC**, Malvern, PA (US)

(**) Term: **14 Years**

(21) Appl. No.: **29/506,812**

(22) Filed: **Oct. 21, 2014**

(51) **LOC (10) Cl.** **30-99**

(52) **U.S. Cl.** **D30/162**
USPC **D30/162**

(58) **Field of Classification Search**
USPC D30/161, 162, 199, 158; D7/667, D7/669-670, 681, 691, 688; D8/10, 1, 4, D8/13, 395; 294/1.3, 1.4, 1.5, 9, 28, 49, 294/50.8, 54.5, 55, 19.2-19.3, 22, 23, 23.5, 294/24; D32/74, 38; 119/61.56, 161, 867; 15/357.1, 257.6; 209/418-419
CPC A01K 23/005; A01K 1/0114; A01K 1/01; B07B 1/02; F24B 15/08; F24B 15/00; E01H 2001/1293; E01H 1/1206; E01H 2001/1266; A01D 9/00
See application file for complete search history.

(56) **References Cited**

U.S. PATENT DOCUMENTS

1,426,442 A * 8/1922 Adam A01B 1/22 294/49
1,987,011 A 1/1935 Kahn
D137,440 S * 3/1944 Long D7/691
D176,658 S * 1/1956 Emerson D7/691

D207,116 S * 3/1967 Phillips D10/46.2
3,490,501 A * 1/1970 Lefebvre B63B 17/00 141/331
3,942,427 A * 3/1976 Vaca A47J 43/14 215/392
3,986,744 A 10/1976 Krogstad et al.
4,096,827 A 6/1978 Cotter

(Continued)

FOREIGN PATENT DOCUMENTS

GB 2243535 11/1991
JP 2005287417 10/2005
JP 2011062190 3/2011

OTHER PUBLICATIONS

<http://www.swirl.de/en/Cat-litter-scoop-from-Swirl-260.html>, Cat litter scoop from Swirl, 4 pages. Document is undated but the document was printed from the pertinent website on Jan. 14, 2015.

Primary Examiner — Ian Simmons

Assistant Examiner — Shannon Morgan

(74) *Attorney, Agent, or Firm* — Sand & Sebolt

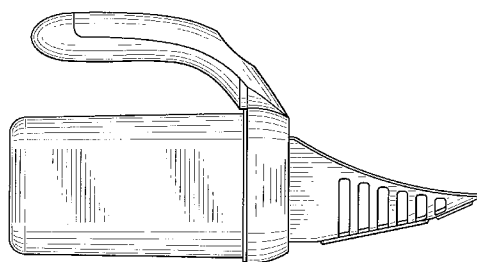
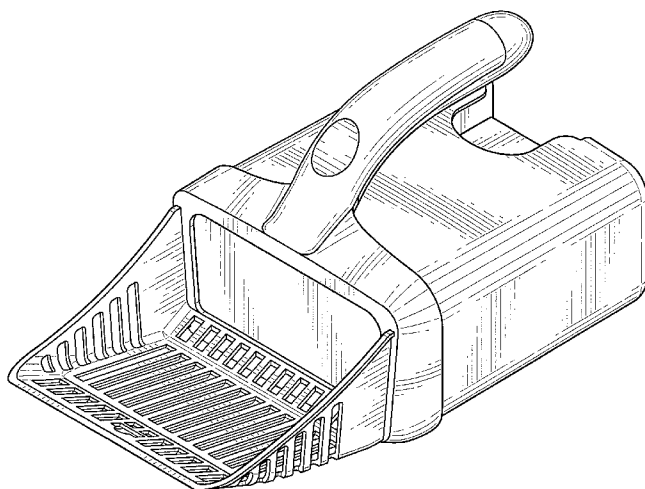
(57) **CLAIM**

The ornamental design for a pet waste scoop assembly, as shown and described.

DESCRIPTION

FIG. 1 is a front perspective view of a pet waste scoop assembly showing our new design;
FIG. 2 is a front elevational view thereof;
FIG. 3 is a rear elevational view thereof;
FIG. 4 is a right side elevational view thereof;
FIG. 5 is a left side elevational view thereof;
FIG. 6 is a top plan view thereof; and,
FIG. 7 is a bottom plan view thereof.
The broken lines and area within the broken lines shown in FIG. 3 represent portions of the pet waste scoop assembly that form no part of the claimed design.

1 Claim, 4 Drawing Sheets



(56)

References Cited

U.S. PATENT DOCUMENTS

4,149,745 A	4/1979	Willis		6,312,029 B1 *	11/2001	Renforth	A01K 1/0114	209/418
D255,951 S	7/1980	Halls et al.		D479,105 S *	9/2003	Debord	D8/10	
4,226,456 A	10/1980	Barnett		6,941,896 B1	9/2005	Morin			
4,341,410 A *	7/1982	Summach	6,976,661 B2	12/2005	Lipscomb et al.			
			E01H 1/1206	7,047,907 B1	5/2006	Johnston			
			248/99	D604,915 S	11/2009	Teper et al.			
D267,357 S *	12/1982	Hillstrom	D609,983 S *	2/2010	Claypool	D7/691	
D285,012 S *	8/1986	Willis	7,686,360 B2	3/2010	Platt			
D292,261 S *	10/1987	Mitton	D635,310 S	3/2011	Jessmon			
D296,406 S *	6/1988	Fuller	D675,070 S *	1/2013	Rockwell	D7/691	
D309,966 S *	8/1990	Bishop	8,408,614 B2	4/2013	Lipscomb et al.			
D310,436 S *	9/1990	Krauth	D694,592 S *	12/2013	Hukill	D7/691	
D314,254 S *	1/1991	Gordon	8,919,708 B1	12/2014	Graves			
D318,350 S *	7/1991	Muffuletto	8,985,653 B1	3/2015	Kest			
D332,675 S	1/1993	Simon		2004/0090073 A1 *	5/2004	Edwards	A47L 13/52	294/1.3
5,190,326 A *	3/1993	Nunn	2004/0227364 A1 *	11/2004	Pain	A01K 1/0114	294/1.3
			A01K 1/0114						
			15/257.6	2006/0087133 A1	4/2006	Bomgesser			
D347,497 S	5/1994	VanSkiver		2006/0156991 A1	7/2006	Burns et al.			
5,382,063 A *	1/1995	Wesener	2006/0243867 A1	11/2006	Strickland et al.			
			E01H 1/1206	2007/0096483 A1	5/2007	Binkowski et al.			
			15/257.6	2007/0170732 A1 *	7/2007	Platt	A01K 1/0114	294/1.3
D363,008 S	10/1995	Pearson							
5,575,520 A	11/1996	Northcutt		2007/0267333 A1	11/2007	Delman			
5,580,111 A	12/1996	Bohn		2008/0072832 A1	3/2008	Novella			
D387,514 S	12/1997	Savicki		2008/0265592 A1	10/2008	Askinasi			
D404,855 S	1/1999	Dotson		2009/0038553 A1	2/2009	Lin et al.			
5,921,596 A *	7/1999	Sheriff	2009/0058115 A1	3/2009	Freedman et al.			
			A01K 1/0114	2010/0164240 A1 *	7/2010	Moore	E01H 1/1206	294/1.3
			209/418						
6,022,058 A	2/2000	O'Rourke		2011/0181064 A1 *	7/2011	Moore	E01H 1/1206	294/1.4
6,039,368 A	3/2000	Kowalczyk							
D426,353 S *	6/2000	Renforth	2011/0233948 A1	9/2011	Morris			
D429,853 S	8/2000	Hammond		2015/0167265 A1 *	6/2015	Becattini, Jr.	E01H 1/1206	294/1.3
D438,349 S *	2/2001	Keller						
D441,159 S *	4/2001	Cann						
6,237,973 B1	5/2001	Dupont et al.							

* cited by examiner

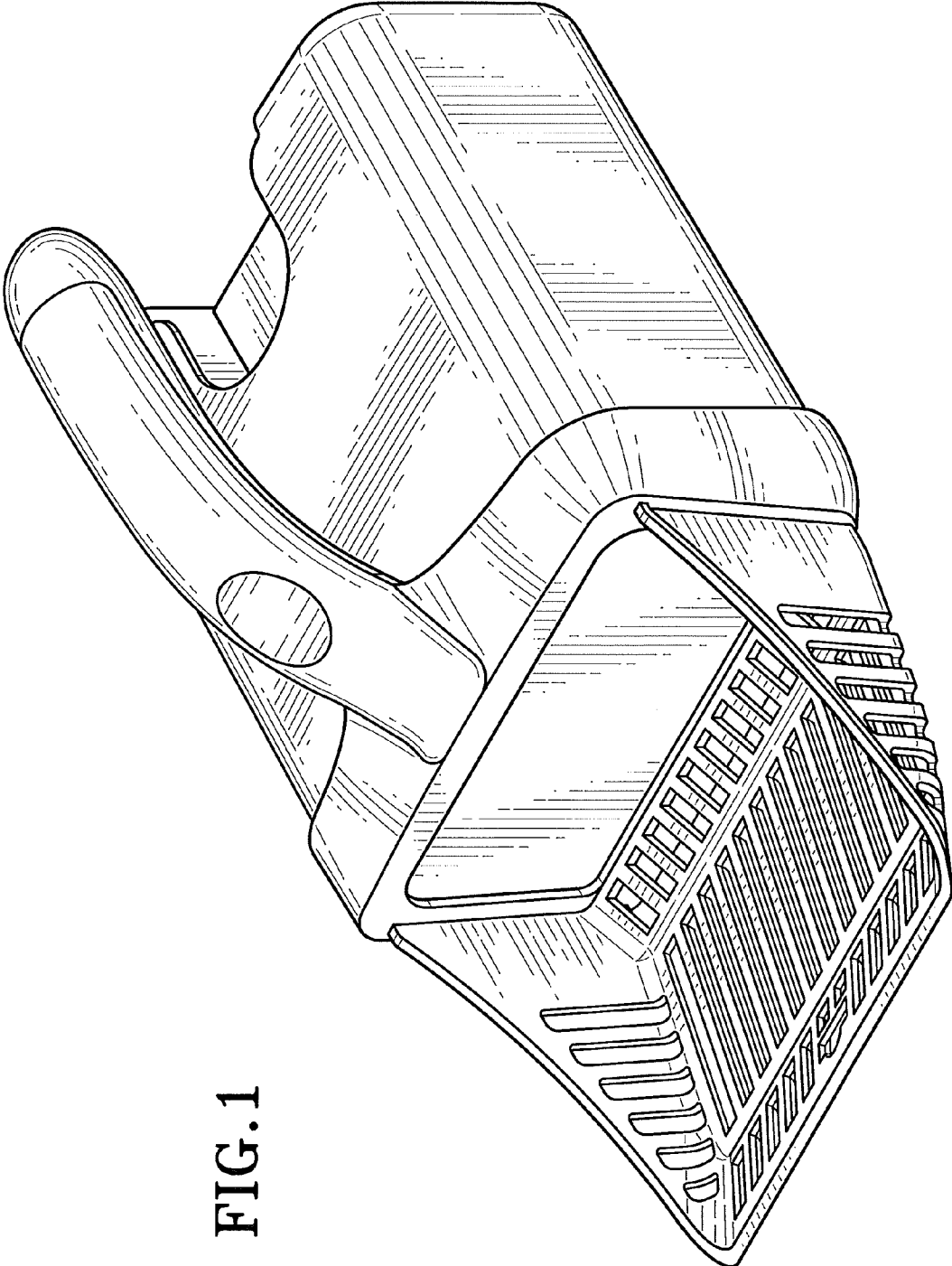


FIG. 1

FIG. 2

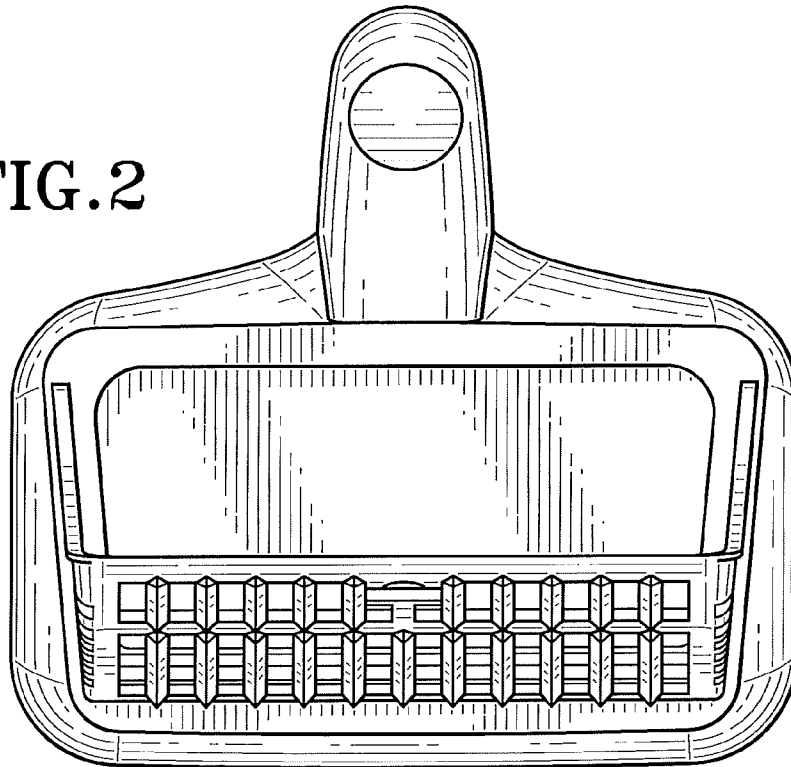
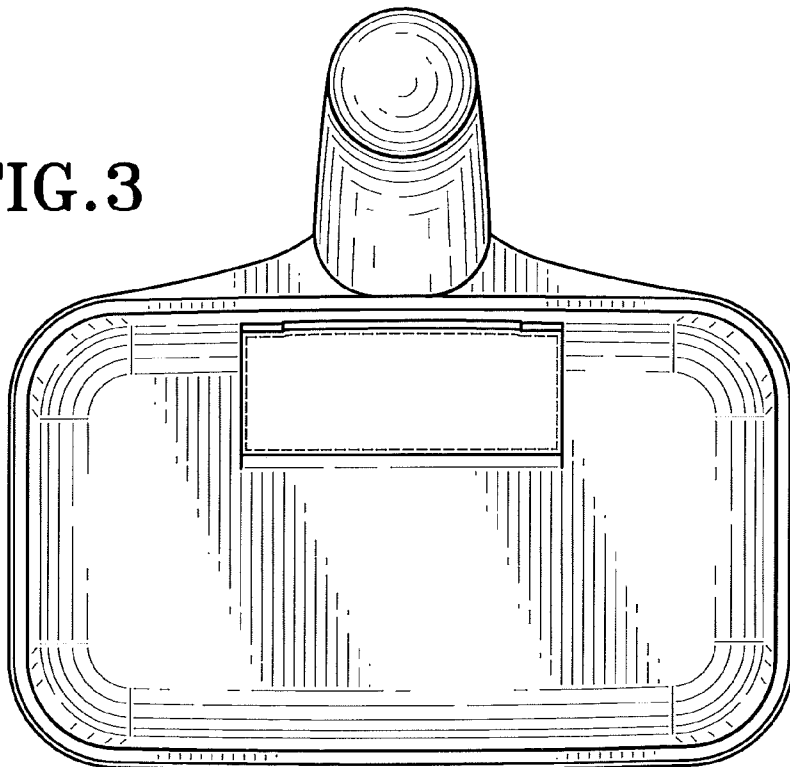


FIG. 3



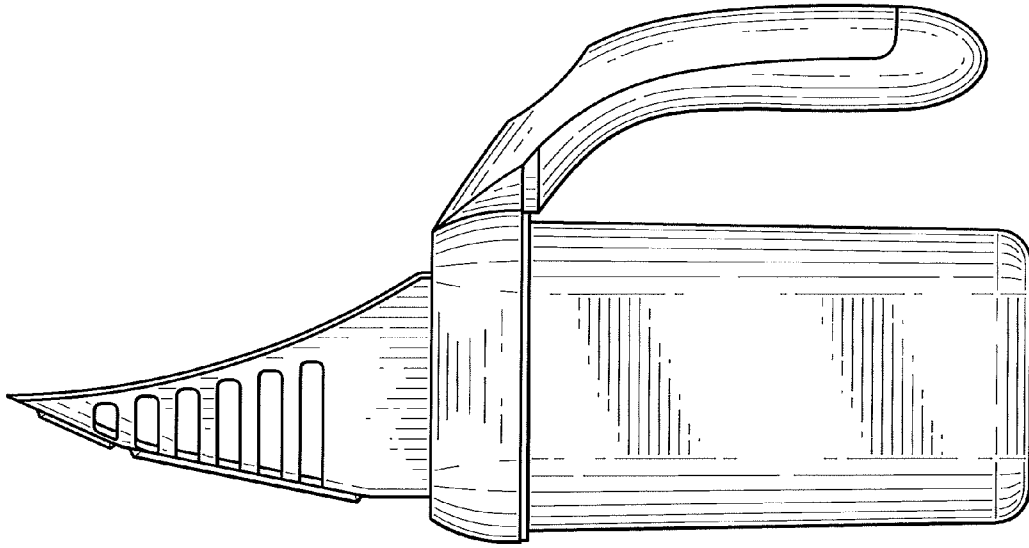


FIG. 4

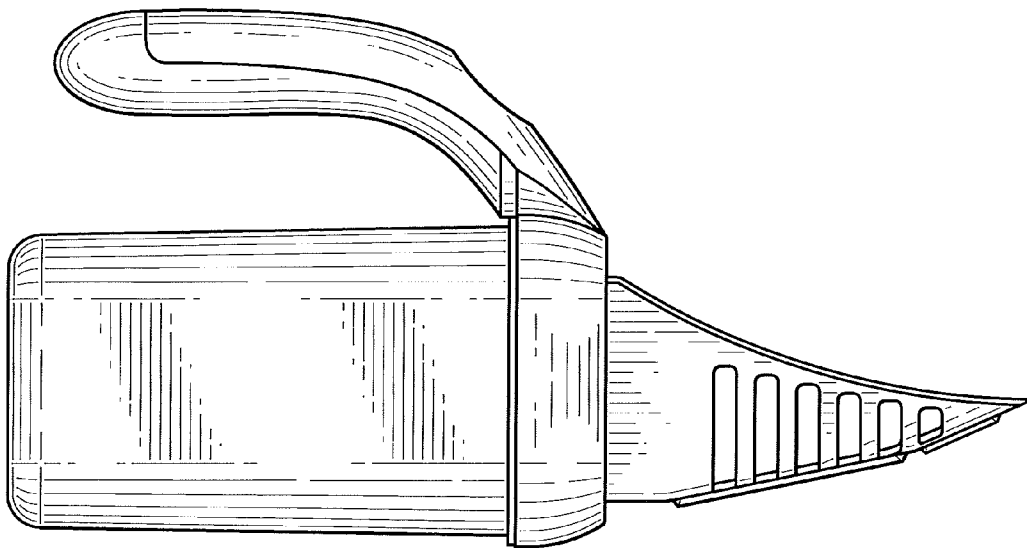


FIG. 5

FIG. 7

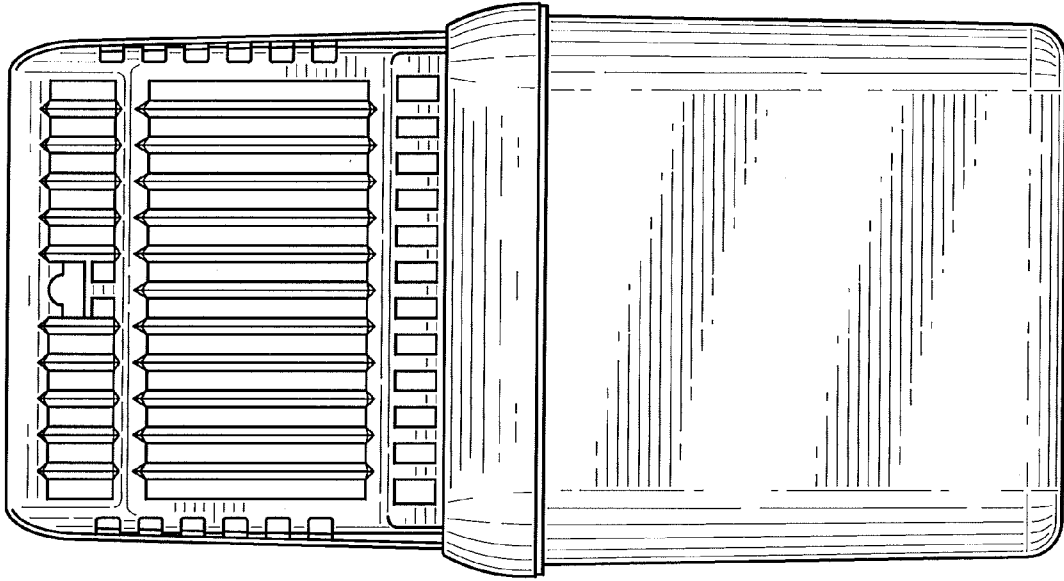


FIG. 6

