



US00D611653S

(12) **United States Design Patent**
Marut

(10) **Patent No.:** **US D611,653 S**

(45) **Date of Patent:** **** Mar. 9, 2010**

(54) **SHAVER**

(76) Inventor: **Brett C. Marut**, 1250 10th St., Suite #1,
Santa Monica, CA (US) 90401

(**) Term: **14 Years**

(21) Appl. No.: **29/316,404**

(22) Filed: **Sep. 21, 2009**

Related U.S. Application Data

(63) Continuation of application No. 11/442,099, filed on May 26, 2005, which is a continuation-in-part of application No. 11/392,243, filed on Mar. 28, 2006, now abandoned.

(51) **LOC (9) Cl.** **28-03**

(52) **U.S. Cl.** **D28/46**

(58) **Field of Classification Search** D28/45-48;
30/526-533, 32, 34.05, 47, 48

See application file for complete search history.

(56) **References Cited**

U.S. PATENT DOCUMENTS

4,879,811 A	11/1989	Cooney	
4,905,372 A *	3/1990	Willis	30/526
4,955,136 A	9/1990	Diaz-Rivera	
5,010,645 A	4/1991	Furukawa	
5,167,069 A *	12/1992	Quinn	30/527
5,193,528 A	3/1993	Iwamoto et al.	
D370,742 S *	6/1996	Chase	D28/46
5,704,127 A *	1/1998	Cordio	30/49
5,911,480 A *	6/1999	Morgan	30/41
6,163,963 A	12/2000	Huang	
6,189,222 B1	2/2001	Doyle	

6,266,888 B1 *	7/2001	Zowaski	30/527
7,093,363 B1 *	8/2006	Kuo	30/47
7,103,980 B2	9/2006	Leventhal	
D560,032 S *	1/2008	Lopez	D28/48
D602,634 S *	10/2009	Cataudella et al.	D28/46
D603,096 S *	10/2009	Greene	D28/46
D605,362 S *	12/2009	Andersen	D28/48
2003/0177648 A1 *	9/2003	Zeiter	30/526
2003/0208914 A1	11/2003	Ehrlich et al.	
2004/0107585 A1	6/2004	Helmrich	
2004/0194325 A1	10/2004	Ehrlich et al.	
2007/0227015 A1 *	10/2007	Collins	30/526

FOREIGN PATENT DOCUMENTS

GB 148581 8/1920

OTHER PUBLICATIONS

U.S. Appl. No. 11/392,243, filed Mar. 2006, Marut.
U.S. Appl. No. 11/442,099, filed May 2006, Marut.
U.S. Appl. No. 60/719,540, filed Sep. 2005, Marut.

* cited by examiner

Primary Examiner—Jennifer Rivard
(74) *Attorney, Agent, or Firm*—Raymond Sun

(57) **CLAIM**

The ornamental design for a shaver, as shown and described.

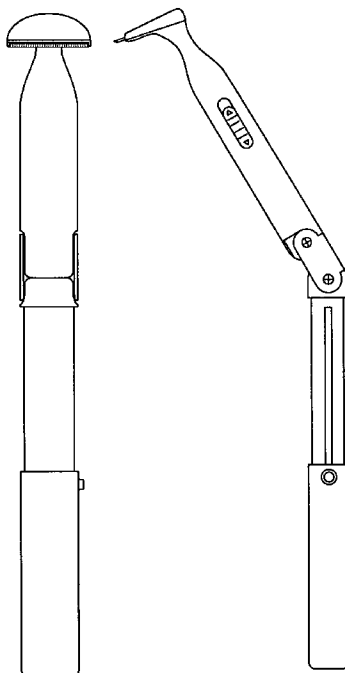
DESCRIPTION

FIG. 1 is a frontal view of a shaver wand showing my new design.

FIG. 2 is a rear view of the shaver of FIG. 1; and,

FIG. 3 is a right side view of the shaver of FIG. 1 shown with a portion of the shaver pivoted.

1 Claim, 1 Drawing Sheet



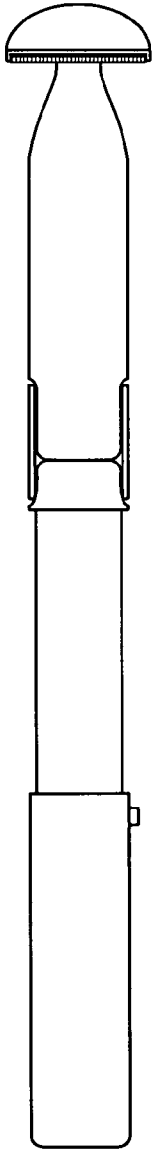


FIG. 1

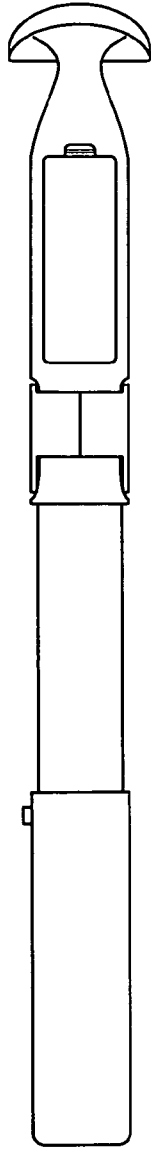


FIG. 2

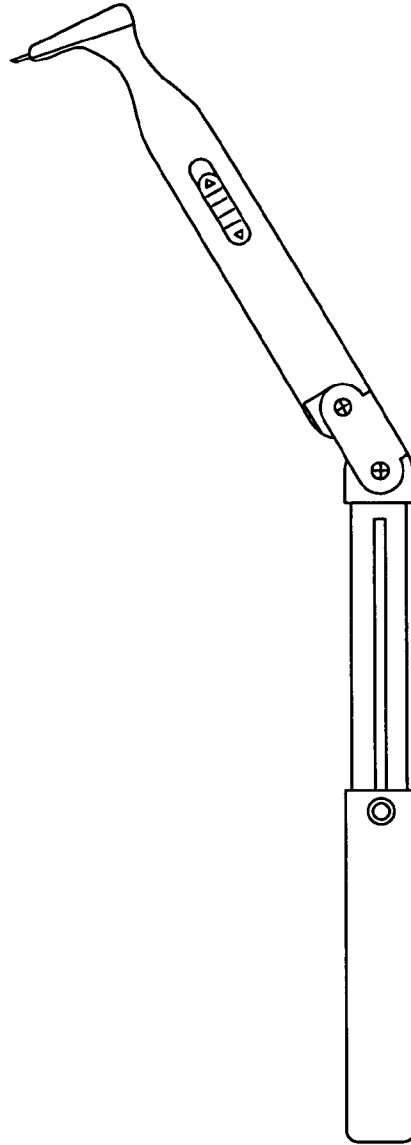


FIG. 3