

(19) World Intellectual Property Organization
International Bureau



(43) International Publication Date
7 August 2003 (07.08.2003)

PCT

(10) International Publication Number
WO 03/063953 A3

- (51) International Patent Classification⁷: **A61N 1/05**
- (21) International Application Number: PCT/US03/02309
- (22) International Filing Date: 27 January 2003 (27.01.2003)
- (25) Filing Language: English
- (26) Publication Language: English
- (30) Priority Data:
10/059,601 29 January 2002 (29.01.2002) US
- (71) Applicant: **MEDTRONIC, INC.** [US/US]; LC 340, 710 Medtronic Parkway, Minneapolis, MN 55432 (US).
- (74) Agents: **WOLDE-MICHAEL, Girma** et al.; 710 Medtronic Parkway NE, Minneapolis, MN 55432-5601 (US).
- (81) Designated States (*national*): CA, JP.
- (84) Designated States (*regional*): European patent (AT, BE, BG, CH, CY, CZ, DE, DK, EE, ES, FI, FR, GB, GR, HU, IE, IT, LU, MC, NL, PT, SE, SI, SK, TR).

Declaration under Rule 4.17:

— as to applicant's entitlement to apply for and be granted a patent (Rule 4.17(ii)) for the following designations CA, JP, European patent (AT, BE, BG, CH, CY, CZ, DE, DK, EE, ES, FI, FR, GB, GR, HU, IE, IT, LU, MC, NL, PT, SE, SI, SK, TR)

Published:

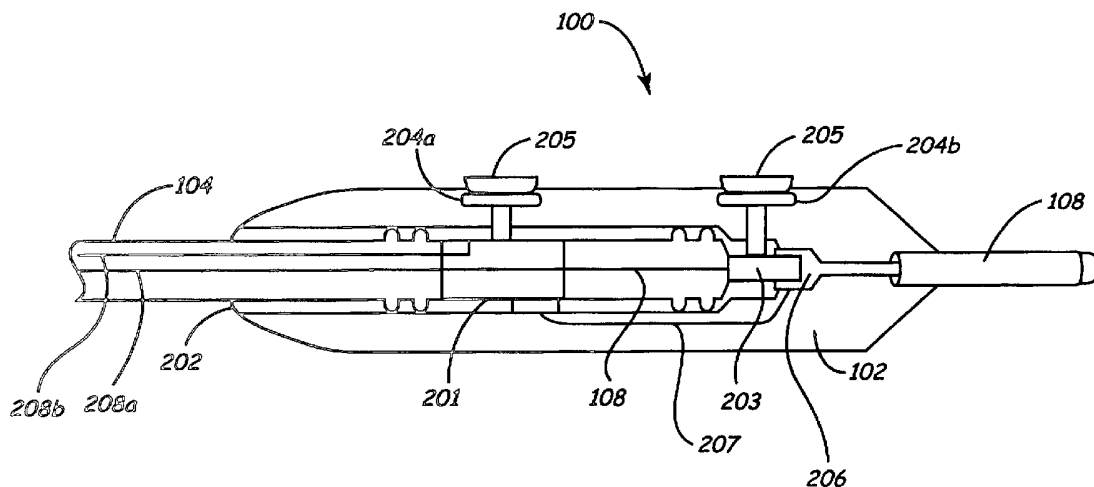
— with international search report

(88) Date of publication of the international search report:
16 October 2003

For two-letter codes and other abbreviations, refer to the "Guidance Notes on Codes and Abbreviations" appearing at the beginning of each regular issue of the PCT Gazette.

- (72) Inventors: **REINKE, James, D.**; 7731 Ranchview Lane, Maple Grove, MN 55311 (US). **WILKINSON, Jeffrey, D.**; 459 Colleen Drive, Vadnais Heights, MN 55127 (US). **KALIN, Ron**; 8909 48th Avenue North, New Hope, MN 55428-4421 (US). **FOERSTER, Laurie, D.**; 4645 Island View Drive, Mound, MN 55364 (US). **ZEJEMAKER, Volkert, A.**; Wachtendorkstr 22, NL-6371 VW Landgraaf (NL).

(54) Title: METHOD AND APPARATUS FOR SHUNTING INDUCED CURRENTS IN AN ELECTRICAL LEAD



(57) Abstract: An electrical lead end cap includes a body defining a bore therein capable of receiving and retaining an end of an electrical lead and a connector capable of electrically coupling conductors leading to at least two electrodes. A method includes routing an electrical current induced in an electrical lead conductor disposed within body tissue to a plurality of electrodes, electrically coupled with the body tissue, via a circuit within an end cap attached to the electrical lead.



WO 03/063953 A3

INTERNATIONAL SEARCH REPORT

 International Application No
 PCT/US 03/02309

 A. CLASSIFICATION OF SUBJECT MATTER
 IPC 7 A61N1/05

According to International Patent Classification (IPC) or to both national classification and IPC

B. FIELDS SEARCHED

 Minimum documentation searched (classification system followed by classification symbols)
 IPC 7 A61N A61B

Documentation searched other than minimum documentation to the extent that such documents are included in the fields searched

Electronic data base consulted during the international search (name of data base and, where practical, search terms used)

EPO-Internal, WPI Data

C. DOCUMENTS CONSIDERED TO BE RELEVANT

Category °	Citation of document, with indication, where appropriate, of the relevant passages	Relevant to claim No.
A	US 5 824 029 A (WEIJAND KOEN J ET AL) 20 October 1998 (1998-10-20) column 5, line 33 -column 8, line 19; figures	1, 15, 22, 27
A	US 5 366 496 A (DAHL ROGER W ET AL) 22 November 1994 (1994-11-22) column 5, line 35 -column 8, line 2; figures	1, 15, 22, 27
A	US 5 325 870 A (KROLL MARK W ET AL) 5 July 1994 (1994-07-05) column 4, line 46 -column 6, line 61; figures	1, 15, 22, 27
A	US 4 320 763 A (MONEY DAVID) 23 March 1982 (1982-03-23) column 2, line 10 - line 43; figures	1, 15, 22, 27
	-/--	

 Further documents are listed in the continuation of box C.

 Patent family members are listed in annex.

° Special categories of cited documents :

- *A* document defining the general state of the art which is not considered to be of particular relevance
- *E* earlier document but published on or after the international filing date
- *L* document which may throw doubts on priority claim(s) or which is cited to establish the publication date of another citation or other special reason (as specified)
- *O* document referring to an oral disclosure, use, exhibition or other means
- *P* document published prior to the international filing date but later than the priority date claimed

- *T* later document published after the international filing date or priority date and not in conflict with the application but cited to understand the principle or theory underlying the invention
- *X* document of particular relevance; the claimed invention cannot be considered novel or cannot be considered to involve an inventive step when the document is taken alone
- *Y* document of particular relevance; the claimed invention cannot be considered to involve an inventive step when the document is combined with one or more other such documents, such combination being obvious to a person skilled in the art.
- *Z* document member of the same patent family

Date of the actual completion of the international search

7 July 2003

Date of mailing of the international search report

14/07/2003

Name and mailing address of the ISA

 European Patent Office, P.B. 5818 Patentlaan 2
 NL - 2280 HV Rijswijk
 Tel. (+31-70) 340-2040, Tx. 31 651 epo nl,
 Fax: (+31-70) 340-3016

Authorized officer

Rakotondrajaona, C

INTERNATIONAL SEARCH REPORT

International Application No
PCT/US 03/02309

C.(Continuation) DOCUMENTS CONSIDERED TO BE RELEVANT

Category °	Citation of document, with indication, where appropriate, of the relevant passages	Relevant to claim No.
A	EP 0 778 048 A (ELA MEDICAL SA) 11 June 1997 (1997-06-11) page 3, column 3, line 40 -page 4, column 6, line 52; figures -----	1

INTERNATIONAL SEARCH REPORT
 information on patent family members

International Application No
 PCT/US 03/02309

Patent document cited in search report		Publication date	Patent family member(s)		Publication date
US 5824029	A	20-10-1998	NONE		
US 5366496	A	22-11-1994	NONE		
US 5325870	A	05-07-1994	US	5531782 A	02-07-1996
US 4320763	A	23-03-1982	NONE		
EP 0778048	A	11-06-1997	FR	2742057 A1	13-06-1997
			EP	0778048 A1	11-06-1997
			US	5725566 A	10-03-1998