



US00D799482S

(12) **United States Design Patent**
Thomas

(10) **Patent No.:** **US D799,482 S**
(45) **Date of Patent:** **** Oct. 10, 2017**

(54) **HEAD MOUNTED DISPLAY WITH PHONE RECEPTACLE**

(71) Applicant: **Oculus VR, LLC**, Menlo Park, CA (US)

(72) Inventor: **Matt Lee Thomas**, Yorba Linda, CA (US)

(73) Assignee: **Oculus VR, LLC**, Menlo Park, CA (US)

(**) Term: **15 Years**

(21) Appl. No.: **29/606,650**

(22) Filed: **Jun. 6, 2017**

Related U.S. Application Data

(63) Continuation of application No. 29/547,765, filed on Dec. 7, 2015, now Pat. No. Des. 792,399.

(51) **LOC (10) Cl.** **14-02**

(52) **U.S. Cl.**
USPC **D14/372**

(58) **Field of Classification Search**
USPC D14/372, 496, 432, 371, 125, 126, 129, 14/299; D16/300-342; 351/158, 153, 351/144; 345/7-9, 905; 455/344; 348/115, 53, 121, 739
CPC G02B 27/017; G02B 27/0158; G02B 27/0161; G02B 27/0181; G02B 27/0185; G02B 27/0189
See application file for complete search history.

(56) **References Cited**

U.S. PATENT DOCUMENTS

5,281,957 A 1/1994 Schoolman
8,957,835 B2 2/2015 Hoellwarth et al.
8,970,960 B2 3/2015 Yu
D732,028 S * 6/2015 Kim D14/372
D741,327 S 10/2015 Reznik et al.

D749,580 S * 2/2016 Kim D14/372
D752,680 S * 3/2016 Kim D14/372
D753,111 S * 4/2016 Fei D14/372
D753,112 S 4/2016 Fei
D759,654 S * 6/2016 Sullivan D14/372
D764,466 S * 8/2016 Kim D14/372
D771,625 S 11/2016 Sullivan et al.
D773,460 S * 12/2016 Yang D14/372
(Continued)

FOREIGN PATENT DOCUMENTS

CN 202077756 U 12/2011

OTHER PUBLICATIONS

Chinese Design Gazette, No. 15-32, (Aug. 12, 2015), CN303329350S, (JPO Publicly Known Design No. HH27005592).
(Continued)

Primary Examiner — Austin Murphy
(74) *Attorney, Agent, or Firm* — Perkins Coie LLP

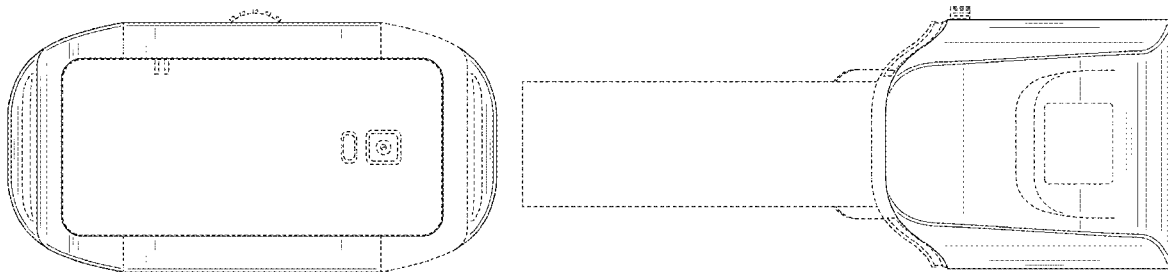
(57) **CLAIM**

The ornamental design for a head mounted display with phone receptacle, as shown and described.

DESCRIPTION

FIG. 1 is a front isometric view of a head mounted display with phone receptacle showing my new design in a first configuration.
FIG. 2 is a front elevation view thereof.
FIG. 3 is a rear elevation view thereof.
FIG. 4 is a left side elevation view thereof.
FIG. 5 is a right side elevation view thereof.
FIG. 6 is a top plan view thereof.
FIG. 7 is a bottom plan view thereof; and
FIG. 8 is a front isometric view thereof shown in an alternate configuration.
Any broken lines in the Figures are for illustrative purposes only and form no part of the claimed design.

1 Claim, 8 Drawing Sheets



(56)

References Cited

U.S. PATENT DOCUMENTS

9,535,254	B2 *	1/2017	Thomas	G02B 27/0176
D781,290	S *	3/2017	Kim	D14/372
D785,619	S	5/2017	Su et al.	
D791,129	S *	7/2017	Sullivan	D14/372
D792,399	S *	7/2017	Thomas	D14/372
2005/0231599	A1	10/2005	Yamasaki et al.	
2010/0079356	A1	4/2010	Hoellwarth	
2014/0152531	A1	6/2014	Murray et al.	
2014/0375075	A1	12/2014	Wang et al.	
2015/0234189	A1	8/2015	Lyons et al.	
2015/0234192	A1	8/2015	Lyons et al.	
2016/0357324	A1	12/2016	Lay et al.	
2017/0159881	A1	6/2017	Thomas	

OTHER PUBLICATIONS

Yodobashi Camera Co., Ltd., once posted on website (JPO Publicly Known Design No. HJ27020936).

Notice of Allowance in Japanese Patent Application No. 2016-12144, dated Sep. 30, 2016, 2 pages.
 Examiner's Report in Canadian Patent Application No. 168802, dated Sep. 27, 2016, 4 pages.
 First Examination Report in Indian Patent Application No. 284106, dated Oct. 3, 2016, 2 pages.
 First Examination Report in Israel Patent Application No. 58707, dated Nov. 15, 2016, 2 pages.
 International Search Report in Patent Application No. PCT/US2016/035918, dated Sep. 19, 2016, 14 pages.
 U.S. Appl. No. 29/547,765 by Thomas, M., et al., filed Dec. 7, 2015.
 U.S. Appl. No. 14/961,832 by Thomas, M., et al., filed Dec. 7, 2015.
 Notice of Allowance in U.S. Appl. No. 29/547,765, dated May 17, 2017 by Thomas, M., et al., filed Dec. 7, 2015.
 Non-Final Office Action in U.S. Appl. No. 14/961,832, dated Feb. 27, 2017 by Thomas, M., et al., filed Dec. 7, 2015.
 Notice of Allowance in U.S. Appl. No. 29/547,765, dated Jun. 23, 2017 by Thomas, M., et al., filed Dec. 7, 2015.
 Final Office Action in U.S. Appl. No. 14/961,832, dated Aug. 9, 2017 by Thomas, M., et al., filed Dec. 7, 2015.

* cited by examiner

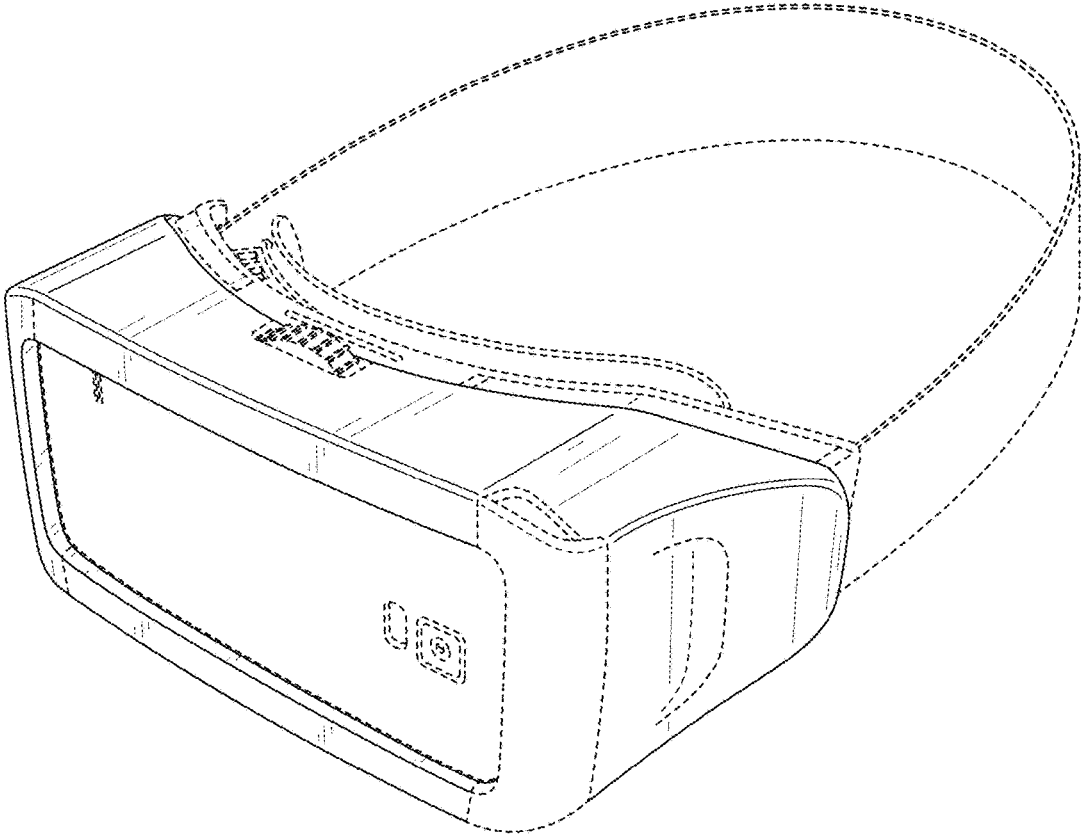


Fig. 1

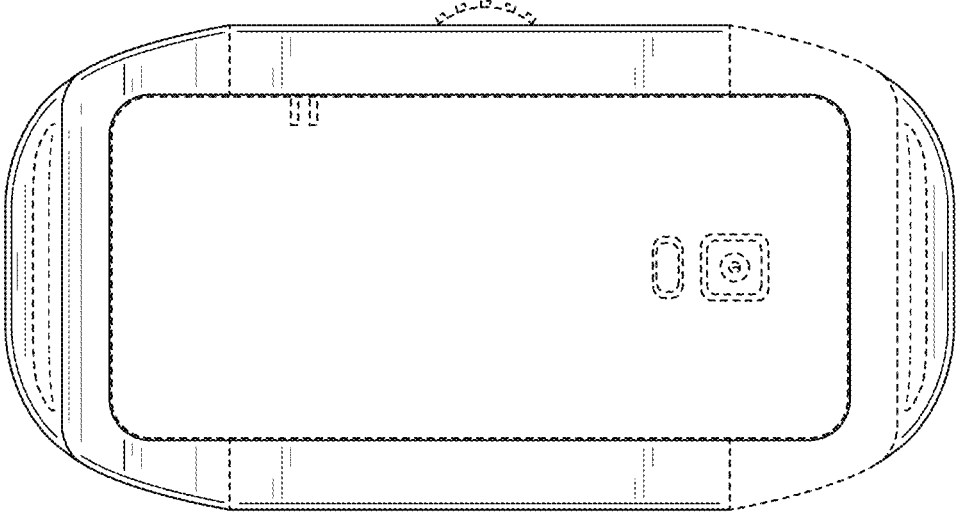


Fig. 2

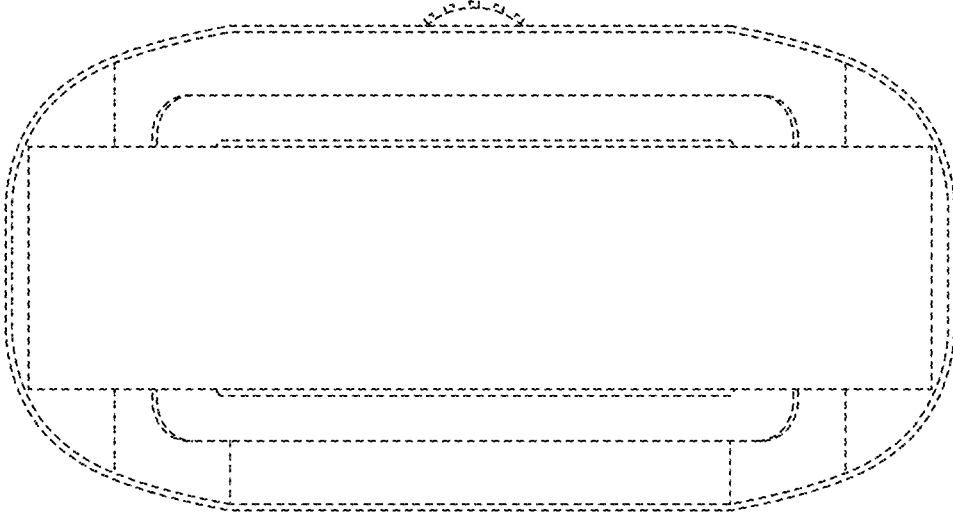


Fig. 3

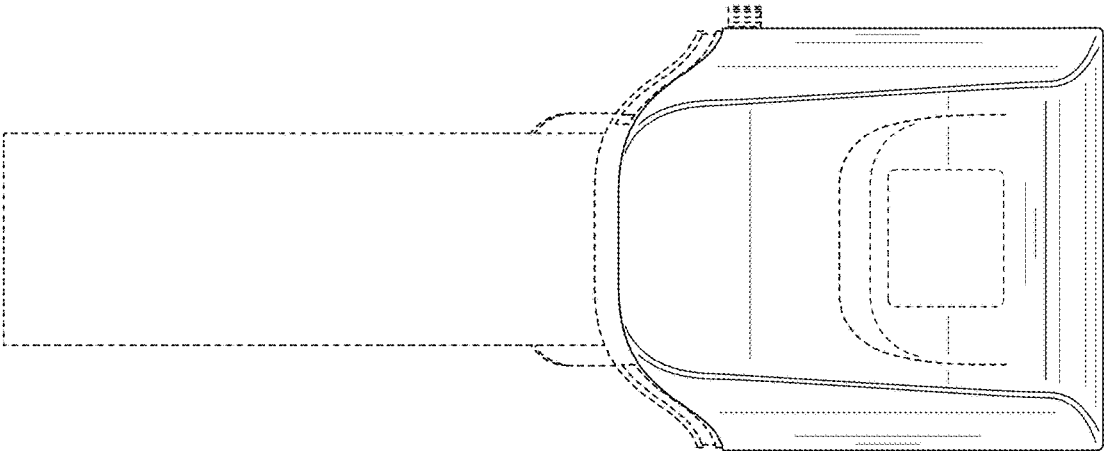


Fig. 4

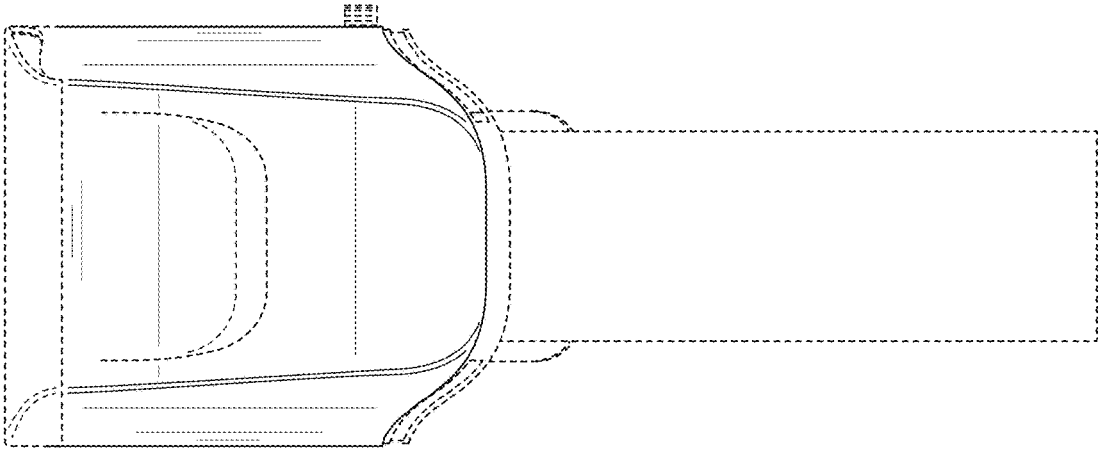


Fig. 5

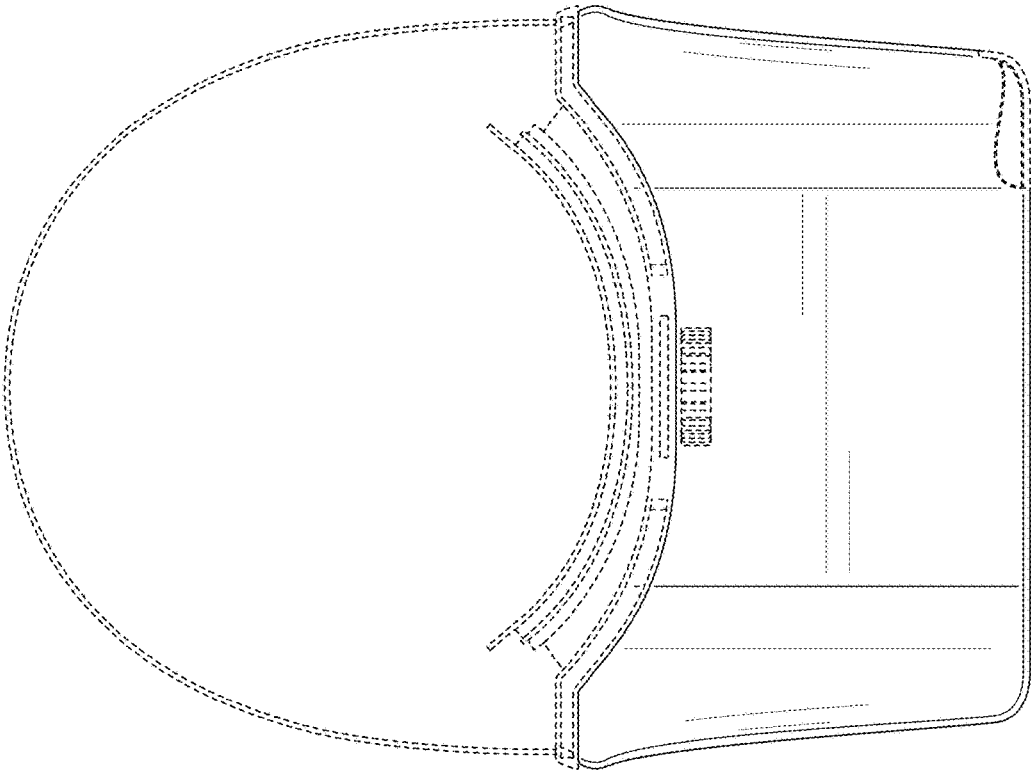


Fig. 6

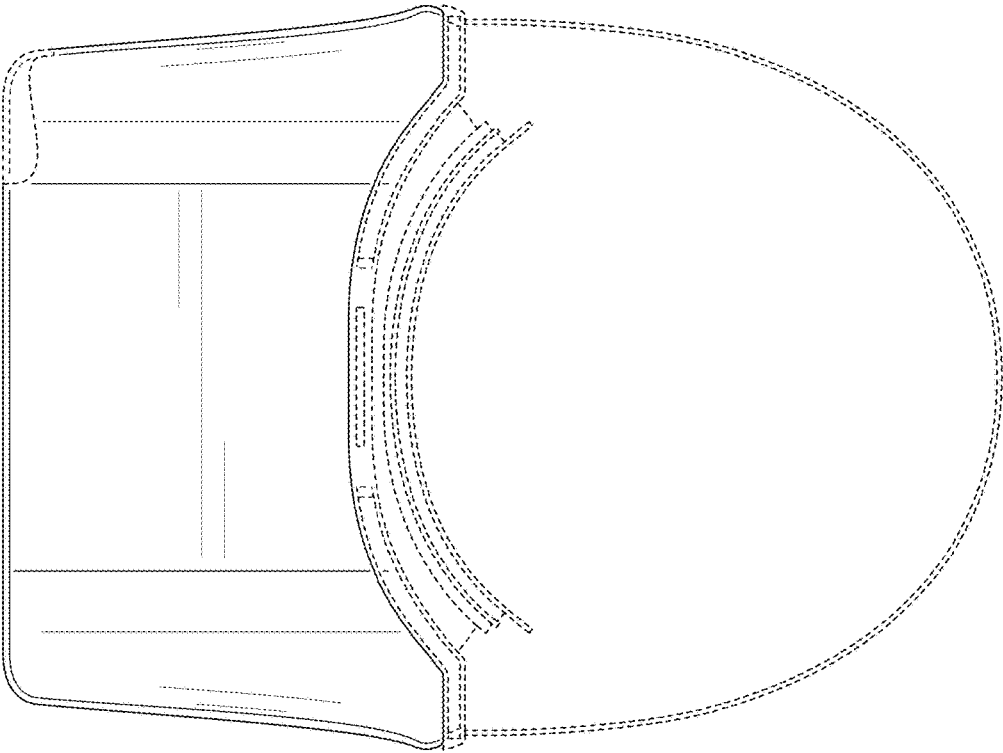


Fig. 7

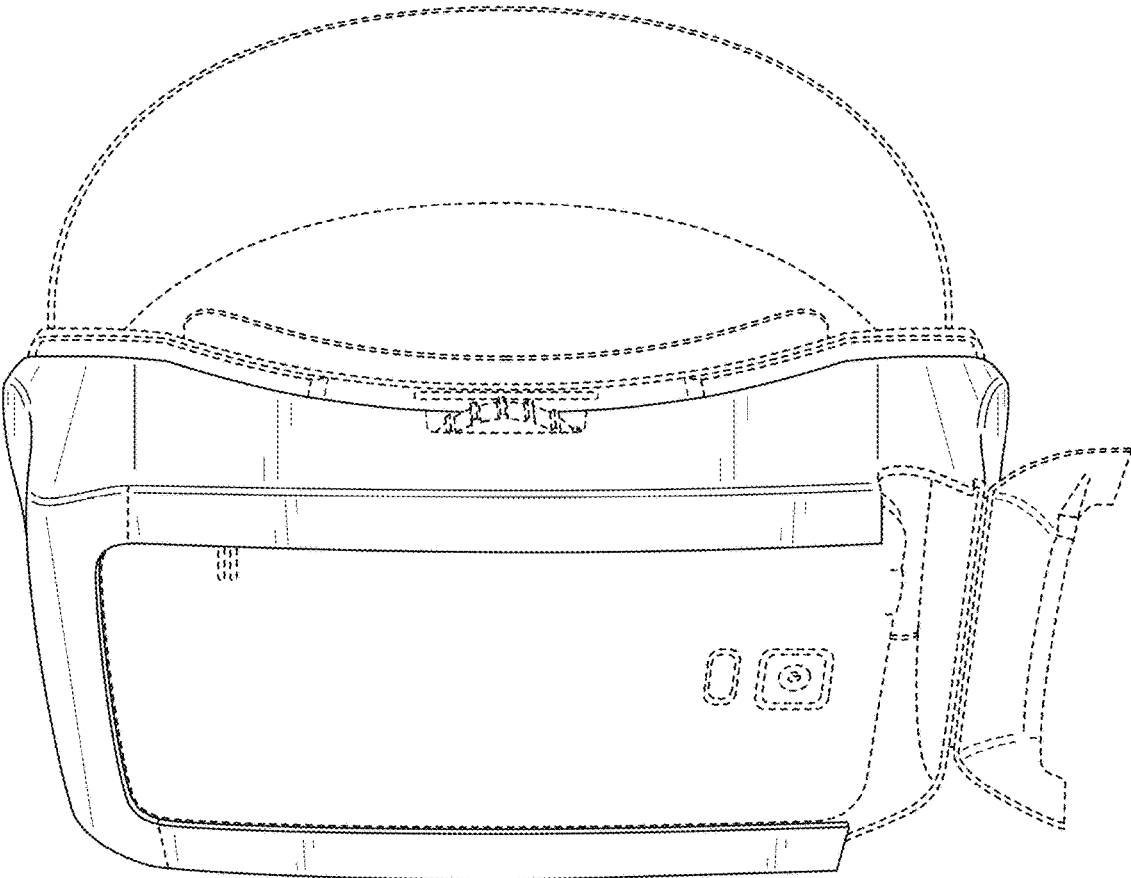


Fig. 8