



US00D795708S

(12) **United States Design Patent**
Monachon

(10) **Patent No.:** **US D795,708 S**

(45) **Date of Patent:** **** Aug. 29, 2017**

- (54) **WATCHCASE**
- (71) Applicant: **OMEGA LTD.**, Biel/Bienne (CH)
- (72) Inventor: **Jean-Claude Monachon**, Bevaix (CH)
- (73) Assignee: **OMEGA LTD.**, Biel/Bienne (CH)
- (**) Term: **15 Years**
- (21) Appl. No.: **29/538,994**

D648,638	S	*	11/2011	Monachon	D10/39
D656,416	S	*	3/2012	Monachon	D10/39
D733,583	S	*	7/2015	Monachon	D10/126
D736,654	S	*	8/2015	Monachon	D10/126
D736,655	S	*	8/2015	Monachon	D10/126
D738,227	S	*	9/2015	Monachon	D10/126
D744,354	S	*	12/2015	Loth	D10/126
D769,134	S	*	10/2016	Schwamkrug	D10/38
D781,722	S	*	3/2017	Behling	D10/38
D784,829	S	*	4/2017	Kita	D10/38
2009/0245032	A1	*	10/2009	Bonnet	G04B 37/0008 368/297

(22) Filed: **Sep. 10, 2015**

* cited by examiner

(30) **Foreign Application Priority Data**

Primary Examiner — Sandra Snapp

Assistant Examiner — Katherine Glennon

Mar. 10, 2015 (WO) DM/086 420

(74) *Attorney, Agent, or Firm* — Donald J. Ranft; Collen IP

(51) **LOC (10) Cl.** **10-02**

(52) **U.S. Cl.** **D10/30**

(58) **Field of Classification Search**

USPC D10/1, 17, 22, 30-39, 122-132

CPC G04B 45/0069; G04B 45/0076; G04B

47/04; G04B 47/042; G04B 37/0008;

G04B 19/06; G04F 7/08

See application file for complete search history.

(56) **References Cited**

(57) **CLAIM**

The ornamental design for a watchcase, as shown.

DESCRIPTION

FIG. 1 is a front right perspective view of a watchcase showing my new design;

FIG. 2 is a rear left perspective view thereof;

FIG. 3 is a front view thereof;

FIG. 4 is a rear view thereof;

FIG. 5 is a left side view thereof;

FIG. 6 is a right side view thereof;

FIG. 7 is a bottom view thereof; and,

FIG. 8 is a top view thereof.

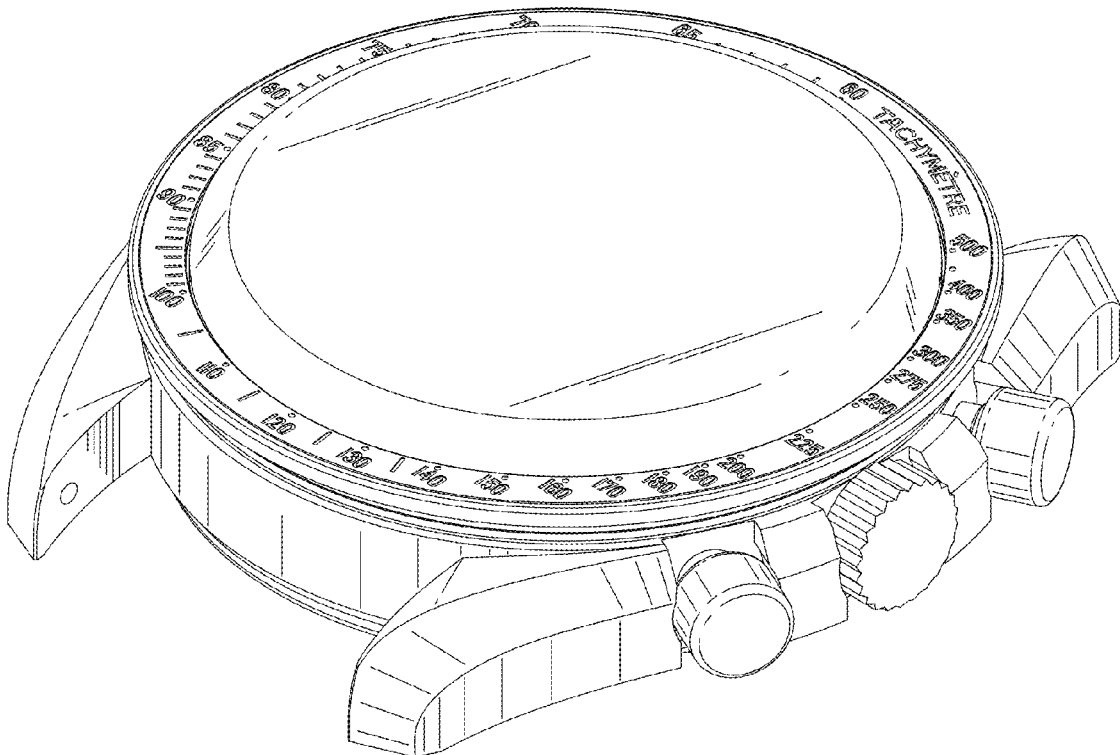
U.S. PATENT DOCUMENTS

D418,427 S * 1/2000 Fichter D10/30

D436,044 S * 1/2001 Subilia D10/30

D590,274 S * 4/2009 Monachon D10/128

1 Claim, 8 Drawing Sheets



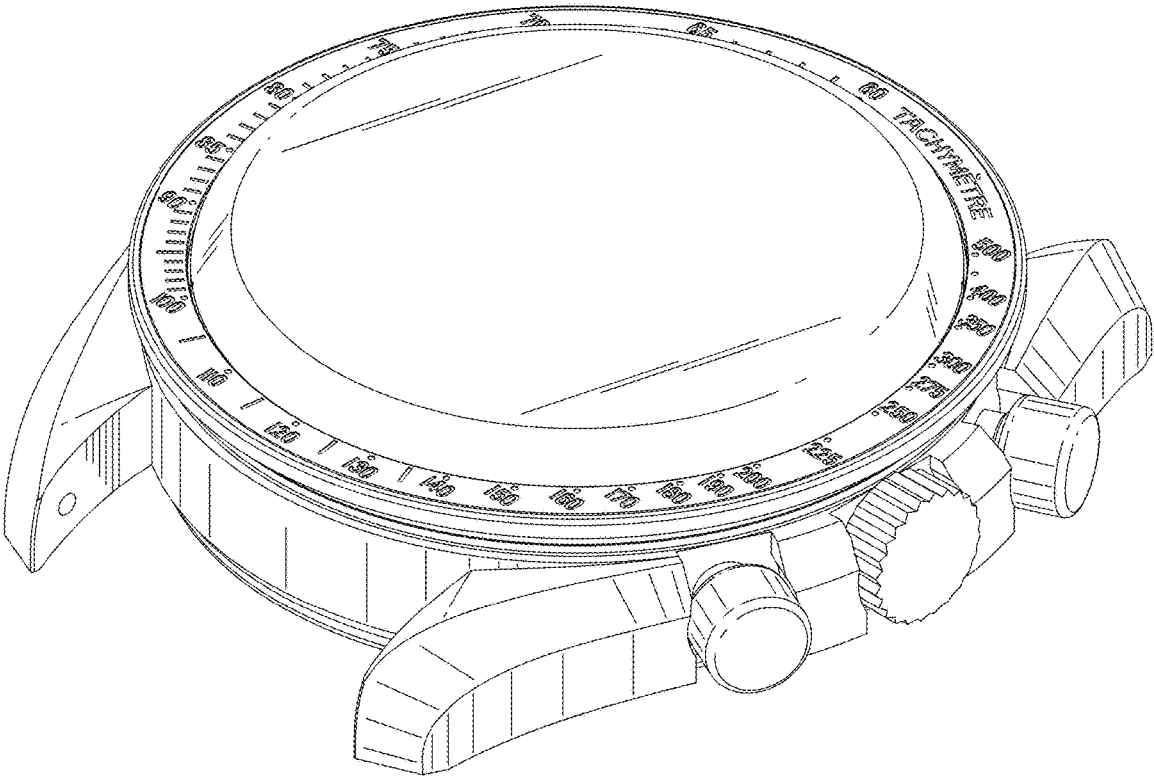


FIG. 1

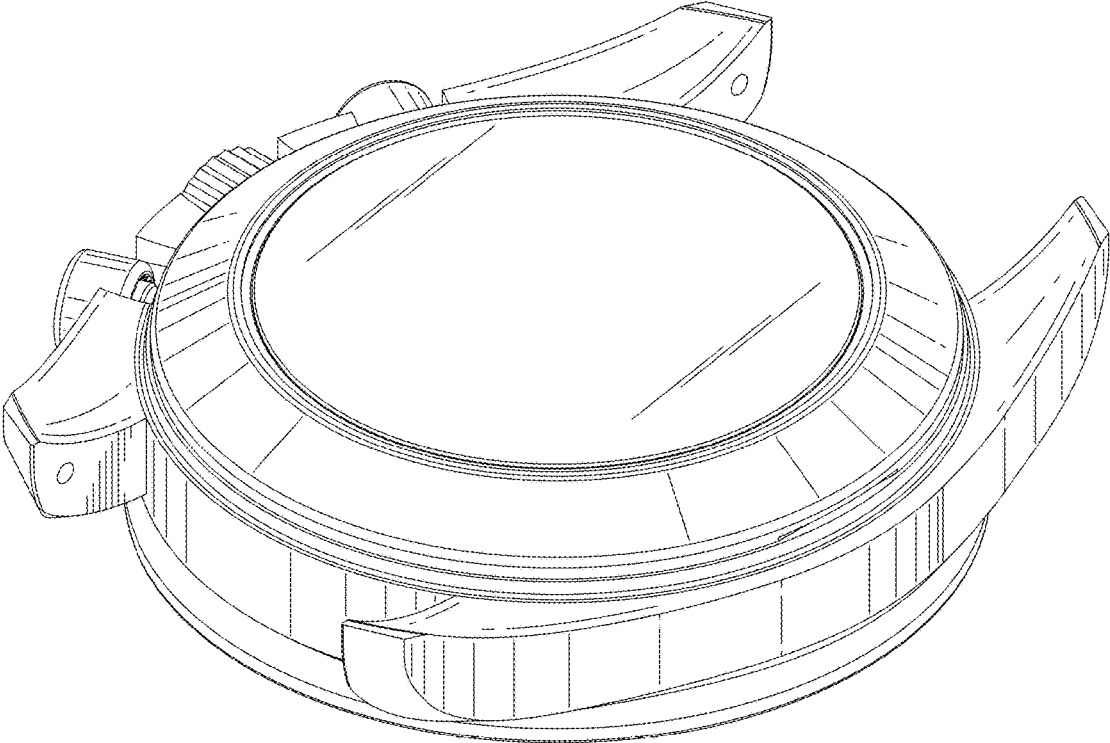


FIG.2

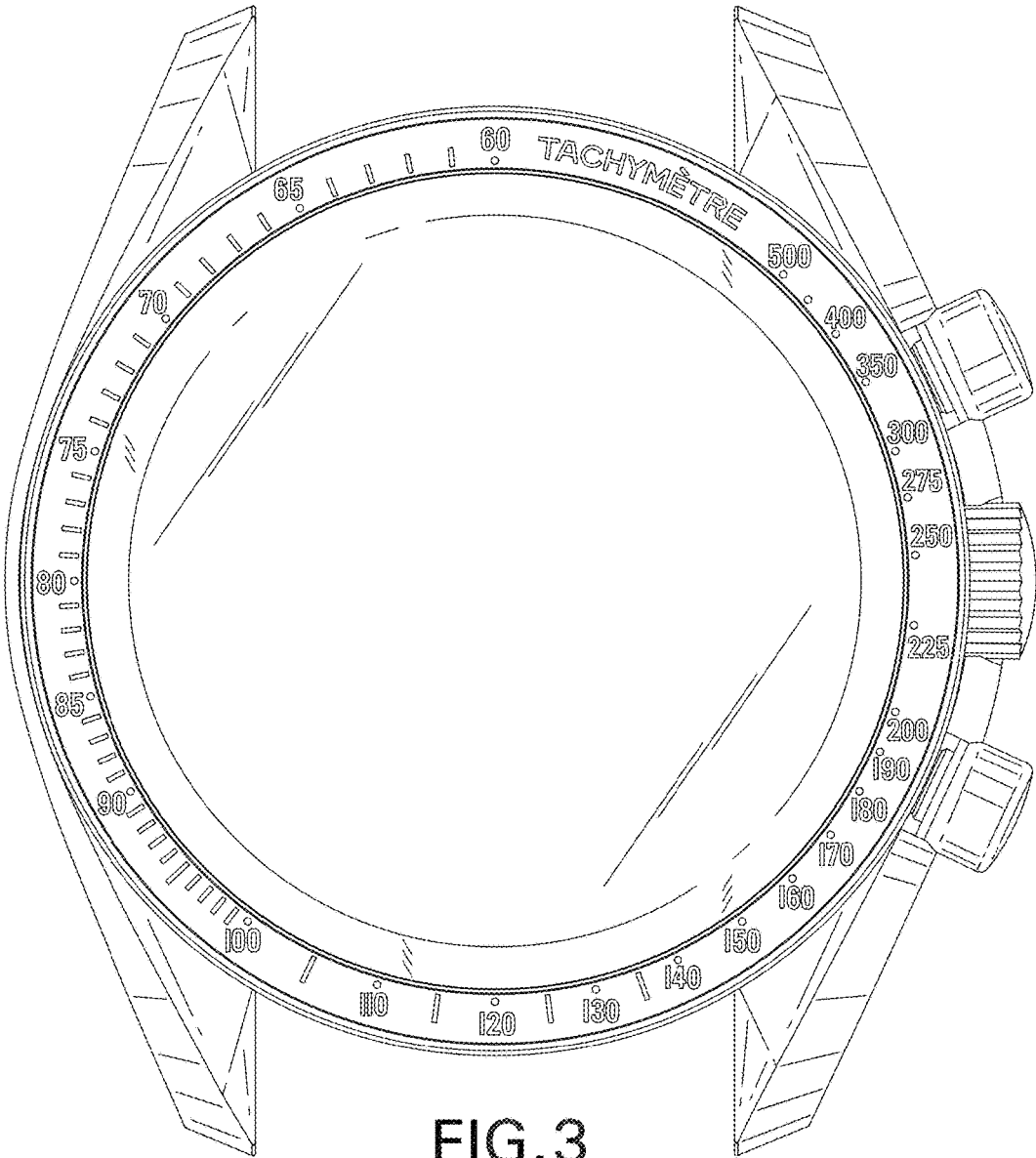


FIG. 3

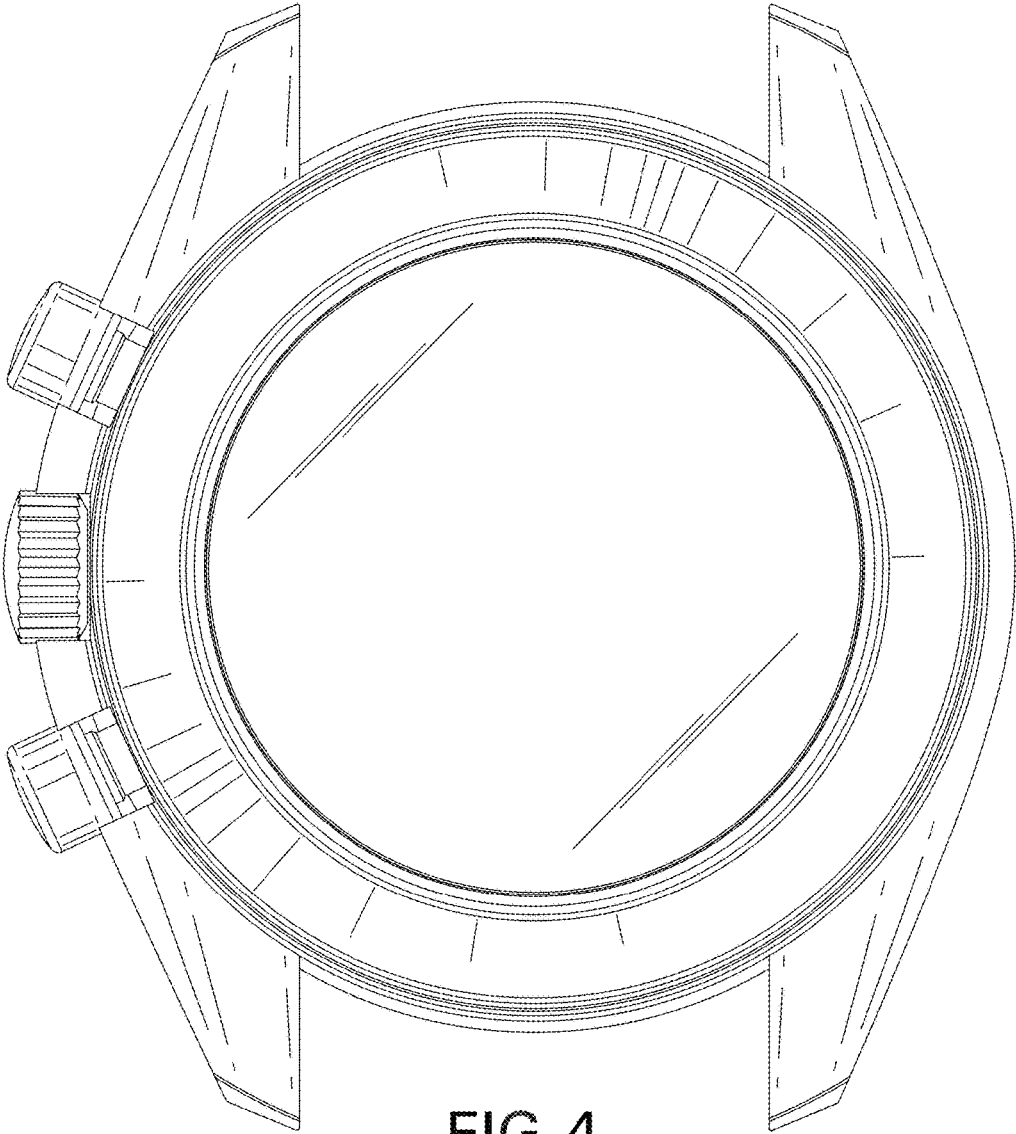


FIG.4

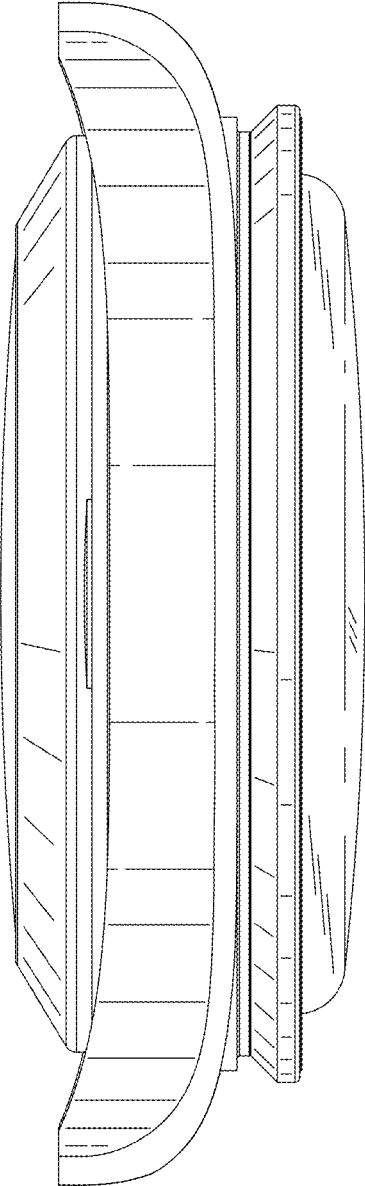


FIG. 5

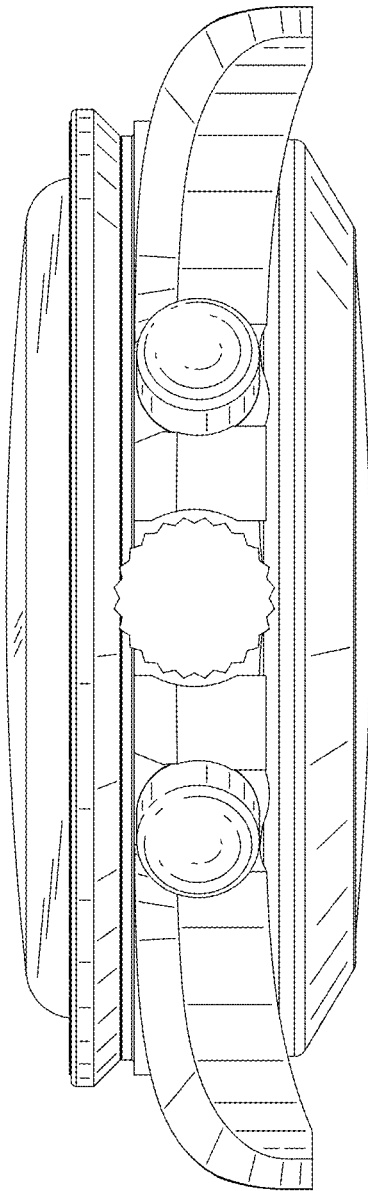


FIG.6

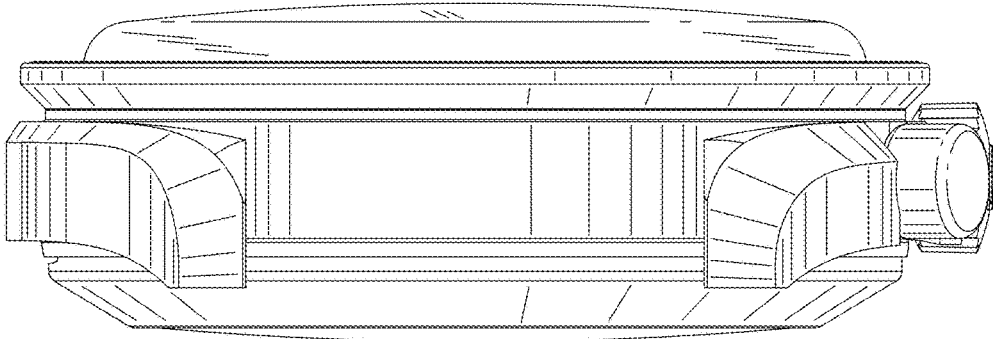


FIG. 7

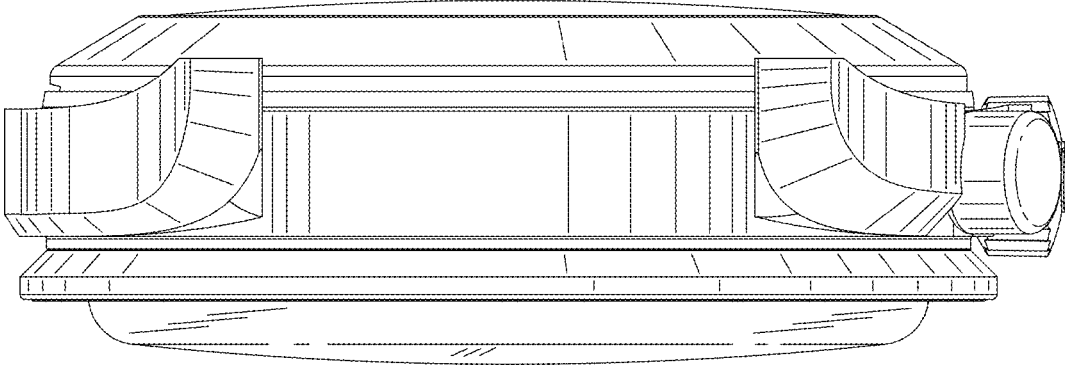


FIG.8